



# EPI 12/ 12 WIFI

DEHUMIDIFIER  
DEZUMIDIFICATOR  
LUFTENTFEUCHTER  
DESHUMIDIFICADOR  
DÉSHUMIDIFICATEUR  
DEUMIDIFICATORE  
PÁRÁTARTÓ  
ОБЕЗВЛАЖНИТЕЛ

Instruction manual  
Manual de instructiuni  
Bedienungsanleitung  
Manual de instrucciones  
Manuel d'instructions  
Manuale di istruzioni  
Használati utasítás  
Инструкция за употреба



---

EN RO DE ES FR IT HU BG

[turbonaire.com](http://turbonaire.com)

# EN: CONTENT

1.	BEFORE YOU BEGIN	3
2.	FOR YOUR SAFETY	4
3.	PRODUCT OVERVIEW	8
4.	INSTALLATION	10
5.	OPERATION	11
6.	MAINTENANCE	15
7.	TROUBLESHOOTING	16
8.	DECOMMISSIONING	17
9.	SMART LIFE - APP'S USER MANUAL	18

Thank you for selecting our dehumidifier.  
Be sure to read this manual carefully before using it.  
*Please keep this manual carefully for further reference!*

# 1. BEFORE YOU BEGIN

Please read the operating instructions carefully before using your dehumidifier for the first time.

## A. PRODUCT DESCRIPTION

The dehumidifier is used to remove excessive moisture from the air. The resulting reduction in relative humidity protects buildings and their contents from the adverse effects of excess humidity.

The environmentally friendly R290 is used as the refrigerant. R290 has no damaging influence on the ozone layer (ODP), a negligible greenhouse effect (GWP) and is available worldwide. Because of its efficient energy properties, R290 is highly suitable as a coolant for this application. Special precautions must be taken into consideration due to the coolant's high flammability.

## B. SYMBOLS ON THE UNIT AND USER MANUAL



**Warning!**

This unit uses a flammable refrigerant.  
If refrigerant leaks and comes in contact with fire or heating part, it will create harmful gas and there is risk of fire.



Read the USER MANUAL carefully before operation.



Further information is available in the USER MANUAL, SERVICE MANUAL, and the like.



Service personnel are required to carefully read the USER MANUAL and SERVICE MANUAL before operation.

### C. THE FOLLOWING SHOULD ALWAYS BE OBSERVED FOR SAFETY

- This appliance is intended to be used by expert or trained users in shops, in light industry and on farms, or for commercial use by lay persons.
- This appliance can be used by children aged from 8 years and above and persons with reduced physical, sensory or mental capabilities or lack of experience and knowledge if they have been given supervision or instruction concerning use of the appliance in a safe way and understand the hazards involved.
- This appliance is not a toy. Children under 3 must be continuously monitored and kept away from it.
- Cleaning and user maintenance shall not be made by children.
- The unit is designed only for use with R-290(propane) gas as the designated refrigerant.
- The refrigerant loop is sealed. Only a qualified technician should attempt to service!
- Do not discharge the refrigerant into the atmosphere.
- R-290 (propane) is flammable and heavier than air.
- It collects first in low areas but can be circulated by the fans.
- If propane gas is present or even suspected, do not allow untrained personnel to attempt to find the cause.
- The propane gas used in the unit has no odor.
- The lack of smell does not indicate a lack of escaped gas.
- If a leak is detected, immediately evacuate all persons from the store, ventilate the room and contact the local fire department to advise them that a propane leak has occurred.
- Do not let any persons back into the room until the qualified service technician has arrived and that technician advises that it is safe to return to the store.
- No open flames, cigarettes or other possible sources of ignition should be used inside or in the vicinity of the units.
- Component parts are designed for propane and non-incentive and non-sparking. Component parts shall only be replaced with identical repair parts.

FAILURE TO ABIDE BY THIS WARNING COULD RESULT IN EXPLOSION, DEATH, INJURY AND PROPERTY DAMAGE

## 2. FOR YOUR SAFETY

**Your safety is the most important thing we concerned!**



Please read this manual carefully and fully understand before operating your dehumidifier.

## A. OPERATIONAL PRECAUTIONS

### **WARNING: to reduce the risk of fire, electric shock or injury to persons or property:**

- If the supply cord is damaged, it must be replaced by the manufacturer, its service agent or similarly qualified persons in order to avoid a hazard.
- The A-weighted sound pressure level is below 36 dBs.
- The appliance shall be disconnected from its power source during maintenance.
- Always operate the unit from a power source of equal voltage, frequency and rating as indicated on the product identification plate.
- Always use a power outlet that is grounded.
- Unplug the power cord when cleaning or when not in use.
- Do not operate with wet hands. Prevent water from spilling onto the unit.
- Do not immerse or expose the unit to rain, moisture or any other liquid.
- Do not leave the unit running unattended. Do not tilt or turn over the unit.
- Do not unplug while the unit is operating.
- Do not unplug by pulling on the power cord.
- Do not use an extension cord or an adapter plug.
- Do not put objects on the unit.
- Do not climb or sit on the unit.
- Do not insert fingers or other objects into the air outlet.
- Do not touch the air inlet or the aluminum fins of the unit.
- Do not operate the unit if it is dropped, damaged or showing signs of product malfunction.
- Do not clean the appliance with any chemicals.
- Ensure the unit is far away from fire, inflammable, or explosive objects.
- The unit shall be installed in accordance with national wiring regulations.
- Do not use means to accelerate the defrosting process or to clean, other than those recommended by the manufacture.
- The appliance shall be stored in a room without continuously operation sources (for example: open flames, an operating gas appliance or an operating electric heater).
- The appliance shall be stored so as to prevent mechanical damage from occurring.
- Do not piece or burn, even after use.
- Be aware that refrigerants may not contain an odor.
- Pipe-work shall be protected from physical damage and shall not be installed in an unventilated space, if that space is smaller than 4m<sup>2</sup>.
- Compliance with national gas regulations shall be observed.
- Keep any required ventilation openings clear of obstruction.
- The appliance shall be stored in a well-ventilated area where the room size corresponds to the room area as specified for operation.



Any person who is involved with working on or breaking into a refrigerant circuit should hold a current valid certificate from an industry-accredited assessment

authority, which authorizes their competence to handle refrigerants safely in accordance with an industry, recognized assessment specification.



Servicing shall only be performed as recommended by the equipment manufacturer. Maintenance and repair requiring the assistance of other skilled personnel shall be carried out under the supervision of the person competent in the use of flammable refrigerants.

If you don't understand something or need help, please contact the dealer services.

## B. SAFETY PRECAUTIONS ON SERVICING

Please follow these warnings when to undertake the following when servicing a dehumidifier with R290.

### i. Checks to the area

Prior to beginning work on systems containing flammable refrigerants, safety checks are necessary to ensure that the risk of ignition is minimized. For repair to the refrigerating system, the following precautions shall be complied with prior to conducting work on the system.

### ii. Work procedure

Work shall be undertaken under a controlled procedure so as to minimize the risk of a flammable gas or vapor being present while the work is being performed.

### iii. General work area

All maintenance staff and others working in the local area shall be instructed on the nature of work being carried out. Work in confined spaces shall be avoided. The area around the workspace shall be sectioned off. Ensure that the conditions within the area have been made safe by control of flammable material.

### iv. Checking for presence of refrigerant

The area shall be checked with an appropriate refrigerant detector prior to and during work, to ensure the technician is aware of potentially flammable atmospheres. Ensure that the leak detection equipment being used is suitable for use with flammable refrigerants, i.e. no sparking, adequately sealed or intrinsically safe.

### v. Presence of fire extinguisher

If any hot work is to be conducted on the refrigeration equipment or any associated parts, appropriate fire extinguishing equipment shall be available to hand. Have a dry powder or CO2 fire extinguisher adjacent to the charging area.

### vi. No ignition sources

No person carrying out work in relation to a refrigeration system which involves exposing any pipe work that contains or has contained flammable refrigerant shall use any sources of ignition in such a manner that it may lead to the risk of fire or explosion. All possible ignition sources, including cigarette smoking, should be kept sufficiently far away from the site of installation, repairing, removing and disposal, during which flammable refrigerant

can possibly be released to the surrounding space. Prior to work taking place, the area around the equipment is to be surveyed to make sure that there are no flammable hazards or ignition risks. "No Smoking" signs shall be displayed.

vii. Ventilated area

Ensure that the area is in the open or that it is adequately ventilated before breaking into the system or conducting any hot work. A degree of ventilation shall continue during the period that the work is carried out. The ventilation should safely disperse any released refrigerant and preferably expel it externally into the atmosphere.

viii. Checks to the refrigeration equipment

Where electrical components are being changed, they shall be fit for the purpose and to the correct specification. At all times the manufacturer's maintenance and service guidelines shall be followed. If in doubt consult the manufacturer's technical department for assistance.

The following checks shall be applied to installations using flammable refrigerants:

- The charge size is in accordance with the room size within which the refrigerant containing parts are installed;
- The ventilation machinery and outlets are operating adequately and are not obstructed;
- If an indirect refrigerating circuit is being used, the secondary circuit shall be checked for the presence of refrigerant;
- Marking to the equipment continues to be visible and legible. Markings and signs that are illegible shall be corrected;
- refrigeration pipe or components are installed in a position where they are unlikely to be exposed to any substance which may corrode refrigerant containing components, unless the components are constructed of materials which are inherently resistant to being corroded or are suitably protected against being so corroded.

ix. Checks to electrical devices

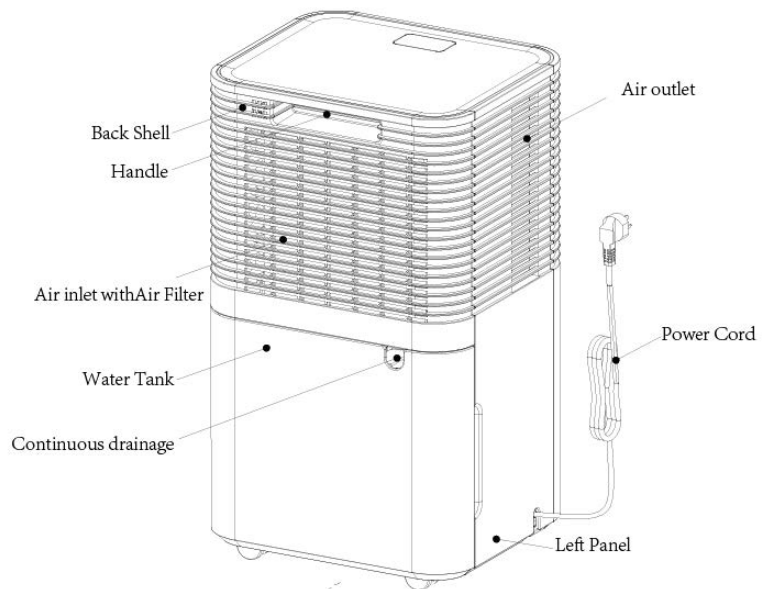
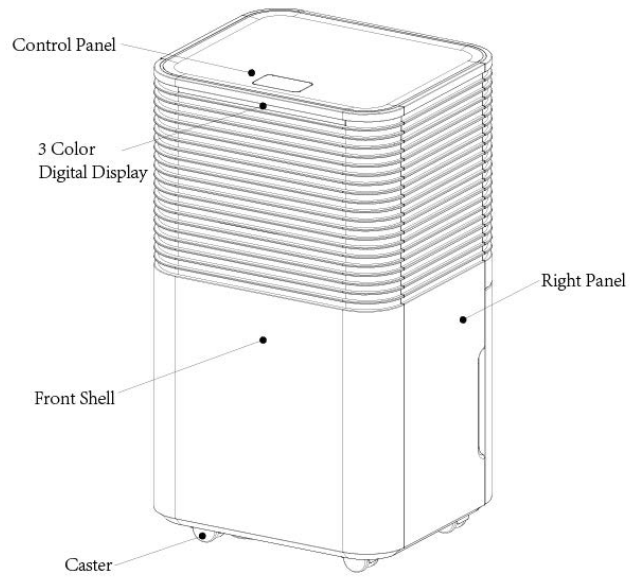
Repair and maintenance to electrical components shall include initial safety checks and component inspection procedures. If a fault exists that could compromise safety, then no electrical supply shall be connected to the circuit until it is satisfactorily dealt with. If the fault cannot be corrected immediately but it is necessary to continue operation, an adequate temporary solution shall be used. This shall be reported to the owner of the equipment so all parties are advised.

**Initial safety checks shall include:**

- Those capacitors are discharged: this shall be done in a safe manner to avoid possibility of sparking;
- That there no live electrical components and wiring are exposed while charging, recovering or purging the system;
- That there is continuity of earth bonding

### 3. PRODUCT OVERVIEW

#### A. FRONT AND REAR VIEW





## B. FEATURES

- Powerful moisture removal (up to 12L/day dehumidification)
- Humidity Monitor shows current air humidity
- Auto mode automatically adjusts humidity levels
- 24-hour timer to set the time of operation
- Effectively removes moisture, dust from the air
- Low power consumption-energy efficient
- Quiet fan has two speed settings
- Auto-Defrost at low temperature
- Auto shut-off/ auto restart
- Electronic Touch control
- Continuous drainage
- 2L water tank

## C. TECHNICAL SPECIFICATIONS

<b>MODEL</b>	<b>EPI 12/ 12 wifi</b>
Dehumidification Capacity	<b>12L/Day (30°C, 80%)</b>
Power Supply	<b>AC220-240V/50Hz</b>
Power Consumption	<b>200W/1.2A (30°C, 80%)</b>
Noise	<b>≤38dB(A)</b>
Water tank capacity	<b>2.0L</b>
Maximum Refrigerant Charge	<b>R290/50g</b>
Net weight	<b>10kg</b>
Maximum Design pressure	<b>High: 3.2MPa Low:0.7MPa</b>
Minimum Room size	<b>4 m<sup>2</sup> (Floor area)</b>
Dimension	<b>255x220x445 mm</b>

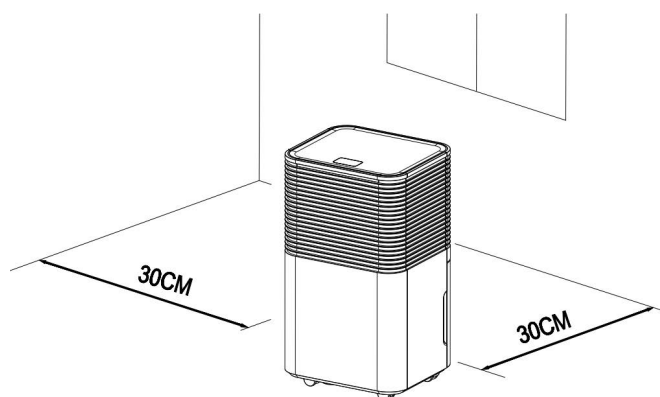
## 4. INSTALLATION

### A. PLACING THE DEHUMIDIFIER

Place the unit on a firm, level surface in an area with at least 30cm of free space around it to allow for proper air circulation.

**Never install the unit where it could be subject to:**

- Heat sources such as radiators, heat registers, stoves or other products that produce heat.
- In an area where oil or water may be splashed
- Direct sunlight
- Mechanical vibration or shock
- Excessive dust
- Lack of ventilation, such as cabinet or bookcase
- Uneven surface



#### WARNING

Install the unit in rooms which exceed 4 m<sup>2</sup>.

Do not install the unit in a place where inflammable gas may leak.



#### NOTE

The manufacture may provide other suitable example or may provide additional information about the refrigerant odor.

### B. OPERATING THE DEVICE SAFELY

- Check the device after unpacking for any damages or scratches on it.
- Operate this unit in an ambient temperature from 5°C to 35°C.
- Do not use in the outdoors. This dehumidifier is intended for indoor residential

applications only.

- Do not operate in close proximity to walls, curtains, or other objects that may block inlet and outlet.
- Keep the air inlet and outlet free of obstacles.
- Adjusting the wind deflector in the upward direction prior to start up.
- If tipped more than 45°, allow the unit to set upright for at least 24 hours before start up.
- Keep doors and windows close for better energy saving.
- Do not operate or store the unit in direct sunlight or rain.
- It is normal for air outlet to feel warm to touch after continuous operation on hot days.
- Empty the water tank before moving the device.
- Make sure the Water tank is correctly fitted otherwise the unit will not operate properly.
- The dehumidifier starts up in the mode selected when the unit was last used.
- The dehumidifier starts dehumidifying if the room humidity is 3% higher than the selected humidity.
- There is a protective 3-minutes time delay of the compressor. Wait 3 minutes for the dehumidifier to resume dehumidification.

## 5. OPERATION

A. 3-colour Humidity LED on the front of the unit

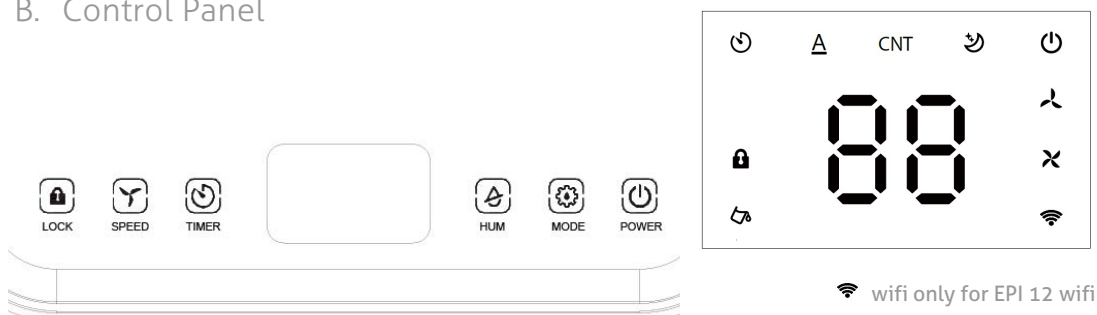
**Blue LED indicator** – humidity level in the room is lower than 45%

**Green LED indicator** – humidity in the room is between 45% and 65%

**Red LED indicator** – humidity level in the room is higher than 65%

If the LED display E0、E2、CL、CH、LO、HI, the light will show red.

B. Control Panel



### POWER

After switching on the power, all the indicators and the screen will be on for 1 second and then off. After a buzzer, the power indicator will be on and the machine will be in standby mode. Press this button, the machine starts to run, the machine initial humidity is 60%RH, default automatic mode and high wind operation.

Press this key again, the machine will stop running, and the fan will be closed.



## MODE

**Auto mode - Continuously drying mode – Sleeping mode cycle**, press once to switch the mode from one to another, the corresponding indicator lights up.

- **Auto mode:** when environmental humidity  $\geq$  set humidity 3%, the fan starts working and compressor starts working after 3 seconds. When environmental humidity  $\leq$  set humidity -3%, the compressor stops working and fan stops working after 30 seconds' delay. Both fan speed and humidity can be adjusted under auto mode.
- **Continuously drying mode:** The machine continues to run, but the humidity cannot be adjusted.
- **Sleeping mode:** Touch the sleep button, the button lights up and start the sleep function. After no operation in 10 seconds, all indicators turns dark gradually and the wind speed is automatically switched from high to low. Touch any button to wake up the indicator. Touch sleep button again to exit the sleep mode. In sleep mode, the fault code is not displayed, the wind speed is not adjustable, and the humidity is adjustable.



## TIMER

Press this key to set the timer function of 0-24 hours. The interval is 1 hour. Each time you press this button, the value increased 1 hours and then the corresponding timing value is displayed on the screen. The setting value is "00" to cancel the timer function. The indicator turns out.

After the timer is set and completed, the timer LED is on during the timing period. After the timing is over, the timer LED turns off automatically.

In the running state, set the time to turn off the machine;  
in the standby state, set the time to turn on the machine.



## HUMIDITY SET

In automatic mode or sleep mode, you can operate this key to adjust the set humidity: every time you press the set humidity increase by 5%, according to the cycle of 30%-80%. Long press this key to query the current room temperature, double eight lights display the current room temperature 5 seconds after the automatic return to display the current humidity. If this key is pressed for a long time, it will be display the ambient temperature.



## FAN SPEED (SPEED)

The wind speed can only be adjusted in the automatic mode. Press this key to switch the high and low wind speed. The corresponding wind speed indicator lights up.



### CHILD-LOCK (LOCK)

Long press this key to open the child lock function.

Long press this key to open the child lock function. The child lock indicator light is on. All the keys are locked and cannot be operated. Press this button again, the indicator light will go out, and the button will be restored. Open the child lock function, as long as the shutdown or power off will automatically cancel the child lock function.

### A. Drainage

There are two ways of removal collected water produced by the unit.

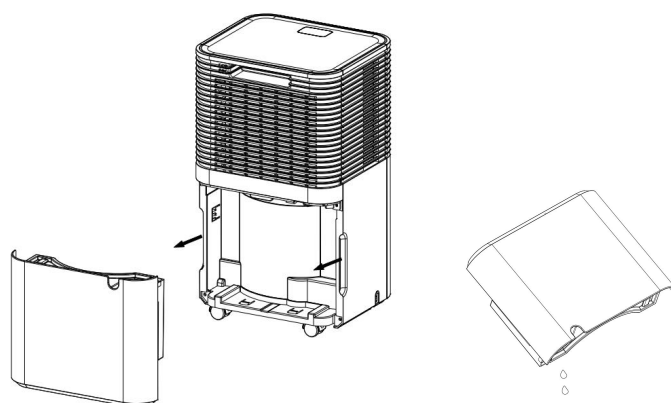
A. Manual draining: the water tank is removed manually.

B. Continuous draining: attach a drain hose to the unit so that the condensed water is drained by using gravity.

### B. Emptying the water tank

When the tank is full, The unit will make a buzzing sound, and the "Water Full" light will turn on.

- Press the POWER button to turn off the unit.
- Pull on the water tank and slide out of the body of the dehumidifier.
- Empty the water into an area with a drain or outside.
- Clean the inside of the tank, if necessary, as well as the outside.
- Replace the empty tank back into the unit.
- Press the POWER button to resume operating.
- If the "Water Full" LED is still on, check if the water tank float is correctly placed and free from any blocking.



### WARNING

- Do not discard water tank magnets and plastic rivets. Otherwise, the machine will not automatically stop working when the water tank is full, and the condensed water will overflow and damage the floor of the room.
- Please be sure to clean the condensed water in the water tank before resetting the working mode of the machine.

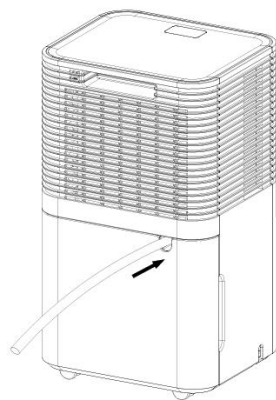
- If the water tank is dirty, rinse it with clean water. Avoid using detergents, steel balls, chemical dust removers, diesel oil, benzene, diluents or other solvents. Otherwise, the water tank will be damaged and leak
- Replace the empty tank back into the unit. Otherwise, the water full indicator may remain red and the machine cannot restart.

### C. Continuous drainage

For continuous operation or unattended dehumidification, please connect the attached drain hose to the unit. Condensate water can be automatically flow into a bucket or drain by gravity.

1. Straighten the drainage pipe

2. Insert one end of the drain into the drain into the cistern hole and connect the other end to the bathroom, outdoor or bucket like container, or the prescribed drainage area.



Continuous drainage outlet

- Please do not block the drain or drain pipe, if the phenomenon of blocking, condensed water will flow into the water tank.
- Please do not bend the drain pipe. The height of the drain pipe should be lower than the outlet.
- The drain pipe shall be securely connected to the outlet;

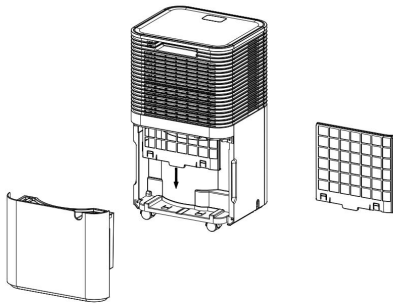
## 6. MAINTENANCE

**Note:** before cleaning and maintaining the machine, be sure to turn off the machine and pull the power plug to prevent electric shock.

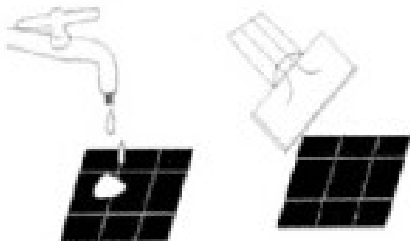
### CLEANING THE AIR FILTER

Clean the filter at least every two weeks or whenever needed. The deposits accumulated on an unclean filter can be absorbed by the fan then remain attached to the evaporator, condenser and other components inside the unit, which can reduce the unit's efficiency and lead to various malfunctions that are not covered by the guarantee. If any deposits are found inside the unit, contact the nearest authorized service for professional cleaning. Do not perform internal cleaning operations (other than cleaning and washing the washable filter) by yourselves. Always contact qualified technical personnel.

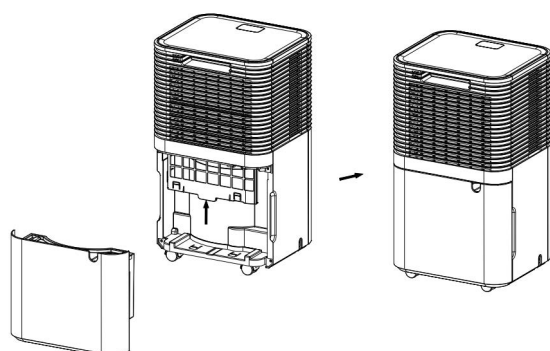
- a) Take the water tank from the body, and then pull out the filter from the bottom of the rear shell;



- b) Use a vacuum cleaner to gently absorb the dust on the surface. If the filter is very dirty, wash it with water and a soft detergent and dry it thoroughly afterwards.



c) Put the filter back to its initial place, which is in the back of the unit.



## 7. TROUBLESHOOTING

### A. FUNCTIONING TEMPERATURE

**5°C ≤ Ambient Temperature ≤ 35°C** When the ambient temperature is lower or higher than the functioning temp, the dehumidifier stops.

**When 5°C ≤ Ambient temp. ≤ 16°C**, the compressor automatically defrosts at intervals; during defrosting, the compressor stops and the fan keeps running.

### B. BEFORE CALLING FOR SERVICE

Before contacting professional service, please review the trouble shooting list that includes common occurrences that are not the result of a defect in workmanship or materials.

Problem	Possible Cause	Solution
Not working	No power supply	Connect to a functioning outlet and switch on
	Water Full Indication Flashes	Drain water tank and replace it back into the unit.
	Room temperature <5°C or >35°C	Self-Protection designed to protect the unit. Cannot work under such temperature.
Bad functioning	Is the air filter clogged?	Clean the air filter as instructed
	Is the intake duct or discharge duct obstructed?	Remove the obstruction from the discharge duct or intake duct.



No air intake	Is the filter clogged?	Wash the filter
Loud noise when running	Is the unit placed on a horizontal and flat surface?	Place the unit correctly
	Is the filter clogged?	Wash the filter
E2	Humidity sensor problem	Change a sensor
LO	Environmental humidity is below 20%	The dehumidifier shuts down for self-protection
HI	Environmental humidity is above 90%	
CL	Low temperature protection, the environmental temperature <5°C	
CH	High temperature protection, the environmental temperature >35°C	

## 8. DECOMMISSIONING

### 8.1 STORAGE

Long-term storage – If you will not be using the unit for an extended period of time (more than a few weeks) it is best to clean the unit and dry it out completely. Please store the unit per the following steps:

- a) Press power button to switch off and unplug the unit.
- b) Drain the remaining water from the unit.
- c) Clean the filter and let the filter dry completely in a shaded area.
- d) Collect the power cord at the water tank.
- e) Re-install the filter at its position.
- f) The unit must be kept in upright position when in storage.
- g) Preserving the machine in ventilating, dry, non- corrosive gas and safe place indoor.

**ATTENTION:** The evaporator inside the machine has to be dried out before the unit is packed to avoid component damage and molds. Unplug the unit and place it in a dry open area for days to dry it out. Another way to dry the unit is to set the humidity point more than 5% higher than the ambient humidity to force the fan to dry the evaporator for a couple of hours.

### 8.2 DISPOSAL



**WARNING!!!** Releasing refrigerant into atmosphere is strictly forbidden!

Do not dispose of electrical appliances as unsorted municipal waste, use separate collection facilities. Contact your local government for information regarding the collection systems available. If electrical appliances are disposed of in landfills or dumps, hazardous substances can leak into the groundwater and get into the food chain, damaging your health and well-being.

# SMART LIFE - APP'S USER MANUAL



The "Smart Life" app is available for Android and iOS. Scan with your smartphone to the corresponding QR code to get directly to the download.

## How to Use the App

This appliance allows you to operate the appliance via your WIFI home network. A prerequisite is a permanent WIFI connection to your router and the free app "Smart Life".

We recommend disconnecting the appliance from the power supply when you are away from home to prevent unintentional switching on while you are on the road!

1. Install the "Smart Life" app. Create a user account.
2. Activate the WIFI function in the settings of your appliance - touch TIMER button for at least 5 seconds.
3. Place the appliance at a distance of about 5 meters to your router.
4. As long as the power is turned on, the WIFI indicator flashes. After 3 minutes, the status will be canceled if there is no network configuration, and the indicator light is off. If you need to reconnect the WIFI, long touch the "TIMER" button for 5 seconds to start the network configuration, the WIFI indicator flashes again.

### WIFI Connected

#### Method 1

##### Connected via Bluetooth

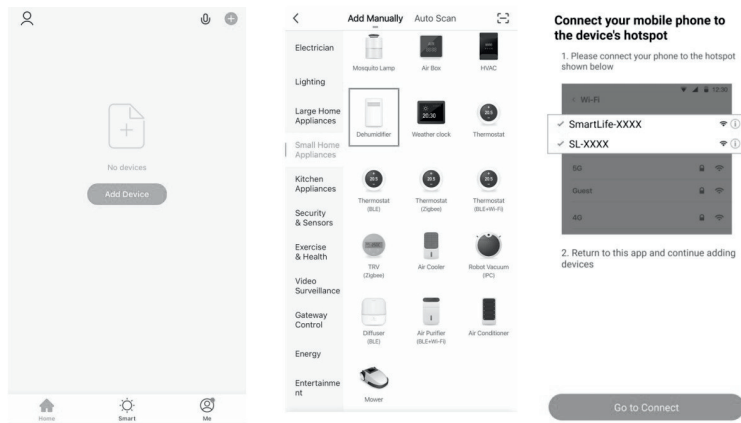
- Open the Bluetooth of your mobile phone or other device.
- When the WIFI indicator flashes, open the "Smart Life" APP, and the unit will connect via Bluetooth automatically.

#### Method 2

- When the WIFI indicator flashes, select: **"Add Device"- "Small Home Appliances"- "Dehumidifier"** and follow the instructions on the Smart Life app. Check the status of the WIFI indicator and choose the correct status.
- If the WIFI indicator flash rapidly, it can connected directly.
- If the WIFI indicator flash slowly, press "Go to Connect" to connect the WIFI named "SmartLife-XXXX".

#### Remarks

- Once the appliance has been successfully connected, the WIFI lamp lights up. Now you can operate the appliance by using the app.
- Press and hold the Timer button for about 5 seconds, the appliance disconnects, and the WIFI lamp lights off.



## TROUBLESHOOTING

### Network connection failed

### Solution

Network connection timeout

1. Check if you select the WIFI named "SmartLife-XXXX".
2. Turn off the machine and unplug the power code and plugin after 10 seconds, enter the App to connect again.

WIFI indicator off

Long press the "Timer" button or Turn off the machine and unplug the power code and plugin after 10 seconds.

The WIFI hotspot disappear and the WIFI light flash

Turn off the machine and unplug the power code and plugin after 10 seconds, enter the App to connect again.

# RO: CUPRINS

1. NOȚIUNI PRELIMINARE	20
2. INSTRUCȚIUNI PRIVIND SIGURANȚA	22
3. PREZENTAREA PRODUSULUI	25
4. INSTALARE	27
5. FUNCȚIONARE	29
6. ÎNTREȚINERE	33
7. DEPANARE	34
8. ELIMINARE	35
9. SMART LIFE - MANUAL DE UTILIZARE APLICATIE	37

Vă mulțumim că ați ales dehumidificatorul nostru.

Asigurați-vă că citiți cu atenție acest manual înainte de utilizarea dehumidificatorului.

*Vă rugăm să păstrați cu atenție acest manual pentru referințe viitoare!*

# 1. NOȚIUNI PRELIMINARE

Vă rugăm să citiți cu atenție instrucțiunile de utilizare înainte de a pune în funcțiune dezumidificatorul pentru prima dată.

## A. DESCRIEREA PRODUSULUI

The Dezumidificatorul este utilizat pentru a îndepărta excesul de umiditate din aer. Reducerea nivelului umidității protejează clădirile și obiectele aflate înăuntrul acestora de efectele adverse ale umidității.

Produsul R290 este ecologic și folosit ca agent frigorific. R290 nu are nicio influență negativă asupra stratului de ozon (ODP) sau efect de seră (GWP) și este disponibil la nivel mondial. Datorită proprietăților sale energetice eficiente, R290 este foarte potrivit ca lichid de răcire în situația dată. Trebuie, însă, luate în considerare precauții speciale datorită nivelului ridicat de inflamabilitate a agentului frigorific.

## B. SIMBOLURI FOLOSITE PE UNITATE ȘI ÎN MANUAL



**Avertisment!**

Acest aparat utilizează agent frigorific. Dacă agentul frigorific se scurge și vine în contact cu o sursă de flacără sau de încălzire, va crea gaze nocive și există riscul de incendiu.



Citiți cu atenție manualul de instrucțiuni înainte de utilizare.



Informații suplimentare sunt disponibile în MANUALUL DE UTILIZARE și MANUALUL DE SERVICE.



Înainte de punerea în funcțiune a aparatului, persoanele care desfășoară operațiile de service trebuie să citească cu atenție MANUALUL DE UTILIZARE și MANUALUL DE SERVICE.

### C. ACORDAȚI TOT TIMPUL ATENȚIE INFORMAȚIILOR DE MAI JOS

- Acest aparat este destinat atât utilizatorilor experți sau instruiți din magazine, industria ușoară și ferme cât și utilizatorilor casnici.
- Acest aparat poate fi utilizat de copii cu vârste peste 8 ani și persoane cu capacități fizice, senzoriale sau mentale reduse sau lipsiți de experiență și cunoștințe, cu condiția ca aceștia să se afle sub supravegherea unor persoane adulte responsabile pentru siguranța lor sau în cazul în care primesc instrucțiuni cu privire la modul în care unitatea ar trebui utilizată.
- Acest dispozitiv nu este o jucărie. Copiii sub trei ani trebuie supravegheați în mod continuu și ținuți la distanță de acesta.
- Curățarea și întreținerea dispozitivului nu trebuie efectuată de copii.
- Unitatea este proiectată numai pentru a fi utilizată cu gaz R290 (propan) ca agent frigorific desemnat.
- Circuitul de răcire este sigilat. Doar persoanele calificate pot desfășura reparații la circuitul de răcire.
- Nu descărcați agentul frigorific în atmosferă.
- R290 (propan) este inflamabil și mai greu decât aerul.
- R290 poate fi identificat la nivelul solului, dar poate fi circulat și de către un ventilator.
- Dacă suspectați prezența gazului propan, nu permiteți persoanelor necalificate să încerce să repare instalația.
- Gazul propan utilizat în instalația acetui aparat nu are miros.
- Lipsa mirosului nu indică lipsa gazelor evacuate.
- Dacă este detectată o scurgere, evacuați imediat toate persoanele din zonă, aerisiți camera și contactați pompierii pentru a-i notifica despre scurgerea de propan.
- Nu permiteți niciunei persoane să se întoarcă în cameră înainte de ajungerea tehnicianului și de recomandarea acestuia cu privire la siguranța reîntoarcerii în zona afectată.
- Nu trebuie utilizate flăcări deschise, țigări sau alte surse posibile de aprindere în interiorul sau în vecinătatea aparatului.
- Piese componente sunt proiectate special pentru utilizarea împreună cu gazul propan. Piese componente se înlocuiesc numai cu piese de schimb identice.

NERESPECTAREA INSTRUCȚIUNILOR PRIVIND SIGURANȚA POT CREȘTE RISCUL DE EXPLOZII, MOARTE, RĂNIRE ȘI DAUNE MATERIALE.

## 2. INSTRUCȚIUNI PRIVIND SIGURANȚA

Siguranța dvs. este cel mai important lucru pentru noi!



Vă rugăm să citiți acest manual cu atenție înainte de a folosi dezumidificatorul.

### A. AVERTISMENTE PRIVIND FUNCȚIONAREA APARATULUI

**Avertismente privind riscul de incendiu, electroșocurile, rănirea persoanelor sau daunele materiale:**

- În cazul în care cablul de alimentare este deteriorat, acesta trebuie înlocuit de producător, agentul său de service sau de persoane calificate pentru a evita un pericol.
- Nivelul de presiune sonoră ponderat A este sub 36 dB.
- În timpul efectuării operațiilor de întreținere, aparatul trebuie deconectat de la sursa de alimentare.
- Conectați întotdeauna aparatul la o sursă de tensiune, frecvență și putere corespunzătoare celor indicate pe placuța de identificare a produsului.
- Utilizați întotdeauna o priză cu împământare.
- Deconectați cablul de alimentare când curățați aparatul sau când nu îl utilizați.
- Nu folosiți aparatul cu mâinile ude. Nu lăsați apa să se verse pe unitate.
- Nu scufundați aparatul în apă și nu îl expuneți la ploaie, umiditate sau orice altă sursă de lichide.
- Nu lăsați aparatul nesupravegheat atunci când funcționează.  
Nu îl înclinați și nu îl întoarceți cu susul în jos.
- Nu deconectați aparatul în timpul funcționării.
- Nu deconectați prin tragerea cablului de alimentare.
- Nu folosiți prelungitor sau adaptor.
- Nu așezați obiecte pe aparat.
- Nu vă urcați și nu stați pe aparat.
- Nu introduceți degete sau alte obiecte în orificiul de evacuare a aerului.
- Nu atingeți orificiul de evacuare a aerului sau fantele de aluminiu ale aparatului.
- Nu folosiți aparatul dacă a căzut, este deteriorat sau prezintă semne de defecțiune.
- Nu curățați aparatul cu substanțe chimice.
- Asigurați-vă că aparatul stă departe de foc, obiecte inflamabile sau explozive.
- Aparatul trebuie instalat în conformitate cu reglementările naționale privind sistemele de cablare.
- Nu folosiți alte mijloace pentru a accelera procesul de decongelare sau curățare, altele decât cele recomandate de producător.
- Aparatul trebuie depozitat într-o încăpere fără dispozitive care funcționează continuu (de exemplu: flacăra deschisă, aparat cu gaz sau un încălzitor electric).
- Aparatul trebuie să fie depozitat astfel încât să se prevină deteriorarea acestuia.
- Nu demontați și nu aruncați în foc aparatul, chiar și după utilizare.

- Fiți conștienți de faptul că agenții de refrigerare nu au miros.
- Țevile aparatului trebuie protejate de deteriorarea fizică și nu trebuie instalate într-un spațiu neventilat, dacă acest spațiu este mai mic de 4m<sup>2</sup>.
- Respectați reglementările naționale privind gazele.
- Păstrați orificiile de ventilație libere de obstacole.
- Aparatul trebuie depozitat într-o zonă bine ventilată, unde dimensiunea camerei să corespundă condițiilor specificate, pentru o funcționare corectă.



Oricare persoane care lucrează cu un circuit de refrigerare trebuie să dețină un certificat valabil emis de către o autoritate de evaluare acreditată în domeniu, care să autorizeze competența lor de a manipula agenții frigorifice în condiții siguranță, în conformitate cu specificațiile recunoscute în industria respectivă.



Reparațiile aduse instalației trebuie efectuate numai conform recomandărilor producătorului. Întreținerea și reparațiile necesită asistența unui personal calificat și se efectuează sub supravegherea unei persoanei competente în utilizarea agenților frigorifici inflamabili. Dacă există aspecte pe care nu le înțelegeți sau în cazul în care aveți nevoie de ajutor, vă rugăm să contactați serviciile dealerului autorizat.

## B. PRECAUȚII DE SIGURANȚĂ PRIVIND REPARAȚIILE

Vă rugăm să luați în considerare aceste avertismente înainte de a efectua operații de întreținere la un dezumidificator cu R290.

### i. Verificări în vecinătatea aparatului

Înainte de începerea lucrărilor la sistemele care conțin agenți frigorifici inflamabili, sunt necesare verificări de siguranță pentru a se asigura că riscul de aprindere este minimizat. Pentru repararea sistemului frigorific se vor respecta următoarele precauții, înainte de efectuarea lucrărilor la sistem.

### ii. Procedura de lucru

Lucrările se desfășoară în conformitate cu o procedură controlată, astfel încât să se reducă la minimum riscul apariției gazului sau vaporilor inflamabili în timpul lucrărilor.

### iii. Zona de lucru

Tot personalul de întreținere și alte persoane care lucrează în vecinătate trebuie să fie instruiți cu privire la natura lucrărilor desfășurate. Se va evita munca în spații închise. Zona din jurul spațiului de lucru este delimitată. Asigurați-vă că spațiile din zonă au fost securizate prin controlul materialelor inflamabile.

### iv. Verificarea prezenței agentului frigorific

Zona trebuie verificată cu un detector de agenți de refrigerare adecvat înainte și în timpul lucrului, pentru a vă asigura prezența materialelor potențial inflamabile. Asigurați-vă că echipamentul de detectare a scurgerilor utilizat este adecvat pentru identificarea agenților frigorifici inflamabili, nu scoate scânteii și este sigilat corespunzător.

v. Prezența stingătorului de incendii

În cazul în care se efectuează lucrări la cald pe echipamentul de refrigerare sau la orice piesă asociată acestuia, trebuie să fie disponibil echipament adecvat de stingere a incendiilor. Asigurați-vă că aveți în apropiere stingătoare cu pulbere uscată sau CO<sub>2</sub>.

vi. Fără surse de aprindere

Nici o persoană care efectuează lucrări în cadrul unui sistem de refrigerare și care implică expunerea la un agent frigorific inflamabil nu trebuie să folosească surse de aprindere astfel încât să evite riscul de incendiu sau explozie. Toate sursele posibile de aprindere, inclusiv fumatul, trebuie să fie păstrate suficient de departe de locul de instalare, reparare, demontare și eliminare, acolo unde poate fi eliberat refrigerant inflamabil. Înainte de efectuarea lucrărilor, zona din jurul instalației trebuie să fie verificată pentru a vă asigura că nu există produse inflamabile sau riscuri de aprindere. Se va folosi placuța „Fumatul interzis”.

vii. Zonă ventilată

Asigurați-vă că zona de lucru este bine ventilată înainte de a începe lucrările la instalație sau de a efectua lucrări la cald. Ventilarea trebuie să disperseze în siguranță orice agent frigorific eliberat și, de preferință, să-l expulzeze extern în atmosferă.

viii. Verificări la instalația cu agent frigorific

În cazul în care componentele electrice sunt schimbate, acestea trebuie să fie adecvate scopului și să urmeze specificațiile corecte. În orice moment trebuie respectate instrucțiunile producătorului privind întreținerea și operațiile de service. În caz de îndoială, consultați departamentul tehnic al producătorului pentru asistență.

Următoarele verificări se aplică instalațiilor care utilizează agenți frigorifici inflamabili:

- Dimensiunea sarcinii este în concordanță cu dimensiunea camerei în care sunt instalate componentele care conțin agentul frigorific;
- Dispozitivele și gurile de ventilație funcționează adecvat și nu sunt obstrucționate;
- În cazul în care se utilizează un circuit de refrigerare indirect, circuitul secundar trebuie verificat în vederea detectării prezenței agentului frigorific;
- Marcajele echipamentului de lucru vor fi vizibile și lizibile. Orice marcaj și semn care sunt ilizibile vor fi corectate;
- Instalația cu agent frigorific sau componentele acesteia sunt așezate astfel încât să nu poate fi expuse la vreo substanță corozivă, cu excepția cazului în care componentele sunt construite din materiale care sunt în mod inerent rezistente împotriva coroziunii sau sunt protejate în mod corespunzător.

ix. Verificări la aparatele electrice

Repararea și întreținerea componentelor electrice trebuie să includă verificări de siguranță inițiale și proceduri de inspecție a componentelor. În cazul în care există o defecțiune care ar putea compromite siguranța, atunci aparatul nu va fi conectat la curent până când nu este rezolvată defecțiunea în mod satisfăcător. Dacă defecțiunea nu poate fi corectată imediat,



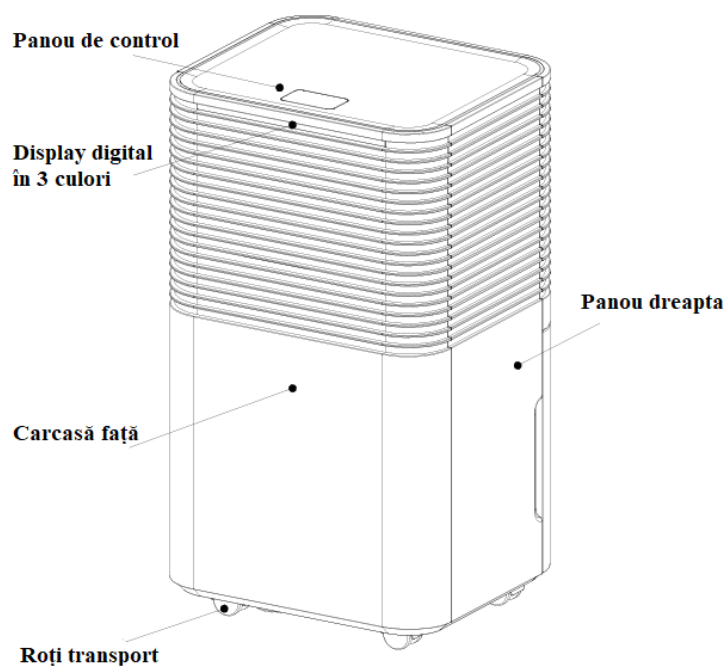
dar este necesară continuarea funcționării, se va utiliza o soluție temporară adecvată. Acest lucru este raportat proprietarului echipamentului, astfel încât toate părțile au cunoștință de această situație.

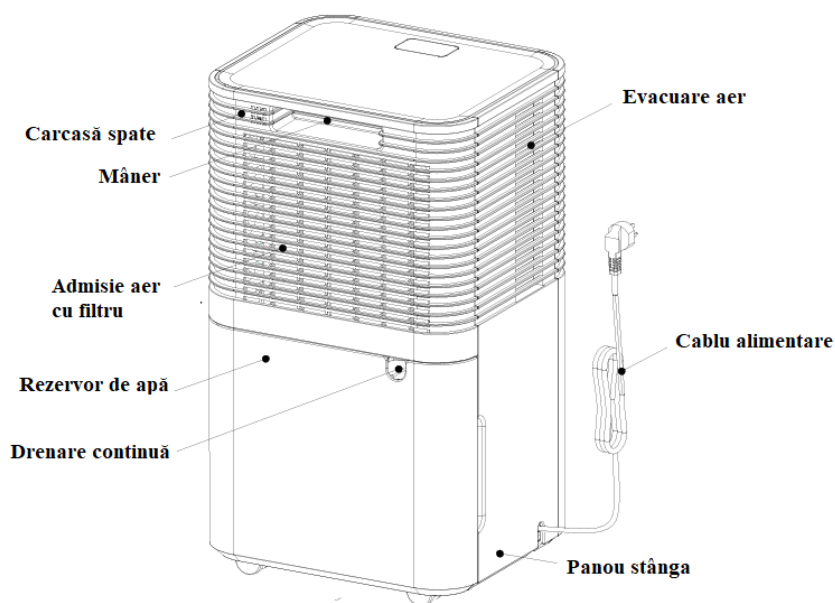
#### Controalele de siguranță inițiale se efectuează când:

- condensatorii sunt descărcați: acest lucru trebuie făcut în condiții de siguranță pentru a evita apariția scânteilor;
- componentele electrice și cablurile nu se află sub tensiune și în timpul încărcării, recuperării sau purjării sistemului;
- există o continuitate a împământării.

## 3. PREZENTAREA PRODUSULUI

### A. VEDERE FAȚĂ ȘI SPATE





## B. CARACTERISTICI

- Îndepărtarea eficientă a umidității
- Monitorizează și afișează umiditatea curentă din aer
- Modul Automat ajustează automat nivelul umidității
- Timer cu interval de 24 de ore pentru a seta timpul de funcționare
- Îndepărtează eficient umiditatea și praful din aer
- Consum redus de energie, eficient din punct de vedere energetic
- Ventilatorul este silențios, având două trepte de viteză
- Decongelare automată în cazul funcționării la temperatură joasă
- Oprire automată / repornire automată
- Control tactil electronic
- Mod drenaj continuu
- Rezervor de apă de 2L

## C. SPECIFICAȚII TEHNICE

MODEL	<b>EPI 12/ 12 wifi</b>
Capacitate dezumidificare	<b>12L/z(30°C,80%)</b>
Alimentare	<b>AC220-240V/50Hz</b>
Consum	<b>185W/1.2A (30°C, 80%)</b>

Nivel zgomot	≤38dB(A)
Capacitate rezervor de apă	2.0L
Capacitate maximă agent frigorific	R290/50g
Greutate netă	10kg
Presiune maximă de proiectare	Înaltă: 3.2MPa Joasă: 0.7MPa
Dimensiunea minimă a camerei	4 m <sup>2</sup> (suprafața podelei)
Dimensiuni	255x220x445 mm
Tipul siguranței și clasificare	T-Type, AC 250V, 3.15A

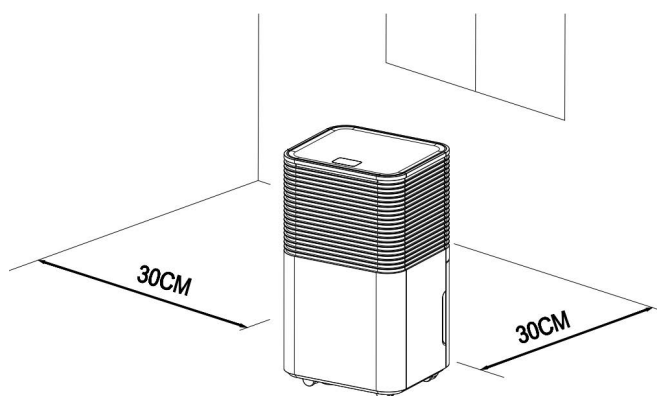
## 4. INSTALARE

### A. AMPLASAREA DEZUMIDIFICATORULUI

Așezați unitatea pe o suprafață stabilă, plată și păstrați cel puțin 30 cm de spațiu liber în jurul acesteia, pentru a permite circulația adecvată a aerului.

#### Nu instalați niciodată unitatea:

- Lângă surse de căldură precum calorifere, radiatoare, sobe sau alte dispozitive care produc căldură.
- Într-o zonă în care se poate stropi ulei sau apă
- În lumina directă a soarelui
- Într-o zonă cu vibrații sau șocuri mecanice
- Într-o zonă cu praf excesiv
- Într-o zonă neventilată, cum ar fi dulapul sau biblioteca
- Pe o suprafață neuniformă





### ATENȚIE

Instalați unitatea în camere care depășesc 4 m<sup>2</sup>.

Nu instalați unitatea într-un loc în care se poate scurge gaz inflamabil.



### NOTĂ

Producătorul poate oferi un alt exemplu adecvat sau poate furniza informații suplimentare despre mirosul agentului frigorific.

## B. UTILIZAREA ÎN SIGURANȚĂ A APARATULUI

- După ce ați despachetat, verificați dacă există daune sau zgârieturi pe unitate.
- Utilizați această unitate la o temperatură ambientală între 5°C și 35°C.
- Nu folosiți dezumidificatorul în aer liber. Acest dezumidificator este destinat numai pentru utilizarea în spații rezidențiale.
- Nu utilizați dezumidificatorul în apropierea pereților, perdelelor sau a altor obiecte care pot bloca admisia și evacuarea aerului.
- Păstrați orificiile de admisie și evacuare a aerului libere de obstacole.
- Dacă a fost este înclinată la un unghi mai mare de 45°, lăsați unitatea să stea în poziție verticală cel puțin 24 de ore înainte de pornire.
- Păstrați ușile și ferestrele închise pentru o mai bună eficiență a dezumidificatorului.
- Nu folosiți și nu depozitați unitatea la lumina directă a soarelui sau în ploaie.
- Este normal ca orificiul de evacuare a aerului să se încălzească după funcționarea continuă în zilele călduroase.
- Goliți rezervorul de apă înainte de a muta dezumidificatorul.
- Asigurați-vă că rezervorul de apă este montat corect, altfel unitatea nu funcționează corespunzător.
- Dezumidificatorul pornește în modul selectat la ultima utilizare.
- Dezumidificatorul începe să dezumidifice aerul din cameră dacă umiditatea este cu 3% mai mare decât valoarea selectată.
- Compresorul este dotat cu un sistem de protecție care întârzie pornirea cu 3 minute. Astfel, va trebui să așteptați 3 minute pentru ca dezumidificatorul să reia procesul de dezumidificare.

## 5. FUNCȚIONARE

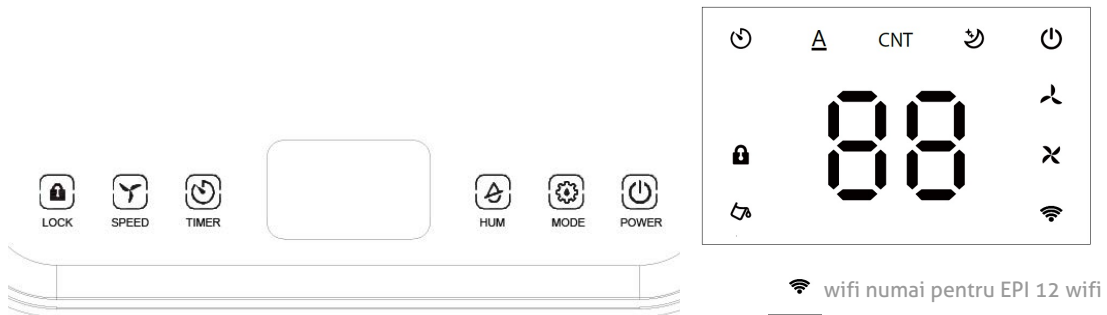
A. Indicator umiditate cu LED in 3 culori pozitionat pe partea frontală

**Indicator lumină albastră** – umiditatea din încăperea este mai mică de 45%

**Indicator lumină verde** – umiditatea din încăperea este între 45% și 65%

**Indicator lumină roșie** – umiditatea din încăperea este mai mare de 65%

Dacă pe display apar mesajele E0, E2, CL, CH, LO, HI, lumina indicatorului va fi roșie.



### **BUTON PORNIRE (POWER)**

După pornire, toate indicatoarele și display-ul se vor aprinde timp de 1 secundă, după care se sting. După semnalul sonor, indicatorul corespunzător alimentării se aprinde, iar unitatea intră în modul standby. Apăsați din nou acest buton, iar unitatea va porni având următoarele valori implicite: umiditate inițială 60% RH, modul de funcționare automat și treaptă înaltă ventilator. Apăsați din nou acest, iar unitatea se va opri, la fel și ventilatorul.

### **MODURI DE FUNCȚIONARE (MODE)**

**Mod automat / Mod de funcționare dezumidificare continuă / Mod repaus**, apăsați o dată pentru a schimba de la un mod la altul, iar indicatorul corespunzător se va aprinde.

- **Mod automat:** când umiditatea încăperii  $\geq$  umiditatea setată +3%, ventilatorul pornește și compresorul începe să funcționeze după 3 secunde. Când umiditatea încăperii  $\leq$  umiditatea setată -3%, compresorul se oprește, la fel și ventilatorul după 30 de secunde de întârziere. Atât viteza ventilatorului, cât și umiditatea pot fi reglate în modul Auto (automat).
- **Mod de funcționare dezumidificare continuă:** Unitatea continuă să funcționeze, dar umiditatea nu poate fi reglată.
- **Mod Sleep (Repaus):** apăsați butonul SLEEP, indicatorul corespunzător se va aprinde, iar funcția repaus se va activa. Dacă panoul de control nu este acționat pentru o perioadă de 10 secunde, toate indicatoarele își vor diminua intensitatea luminoasă iar viteza ventilatorului va trece în treapta inferioară. Apăsați orice buton pentru a reaprinde indicatorul LED al Modulului Repaus. Apăsați din nou butonul MODE pentru a ieși din acest mod SLEEP (Repaus). În Modul SLEEP (Repaus), codul implicit nu este afișat iar viteza ventilatorului și umiditatea nu pot fi reglate.



### **TIMER**

Apăsați butonul timer pentru a seta această funcție de la 0 la 12 ore. Intervalul de setare este de 1 oră. De fiecare dată când apăsați acest buton, valoarea crește cu o oră și este afișată pe ecran. Pentru a anula funcția timer, alegeți valoarea "00". Indicatorul corespunzător funcției timer se va aprinde. După ce setați funcția timer, LED-ul corespunzător va rămâne aprins pe toată durata setată. După epuizarea timpului setat, LED-ul corespunzător se stinge automat.

În modul de funcționare, setați funcția timer pentru a opri unitatea;

În modul standby, setați funcția timer pentru a porni unitatea.



### **SETAREA UMIDITĂȚII**

În modul automat sau în Modul SLEEP (Repaus), apăsați acest buton pentru a seta nivelul de umiditate dorit. Intervalul de setare a umidității dorite (pas cu pas) este de 30% - 35% - 40% - 45% - 50% - 55% - 60% - 65% - 70% - 75% - 80%.

Țineți apăsat acest buton iar indicatoarele luminoase vor afișa temperatura curentă a camerei.



### **VITEZA VENTILATORULUI (SPEED)**

Viteza ventilatorului poate fi modificată doar în modul automat.

Apăsați butonul o dată pentru a comuta de la viteză ridicată la cea redusă, iar indicatorul LED corespunzător se va aprinde.



### **BLOCARE UTILIZARE COPII (LOCK)**

Apăsați lung acest buton pentru a activa / dezactiva funcția de protecție a copiilor. Indicatorul luminos corespunzător funcției se aprinde. Toate funcțiile sunt blocate și nu pot fi activate. Apăsați din nou acest buton, indicatorul luminos se stinge iar funcțiile se reactivează. După oprirea aparatului, funcția de protecție a copiilor se dezactivează.

### a) Drenare

Există două moduri de îndepărtare a apei colectate produsă de unitate.

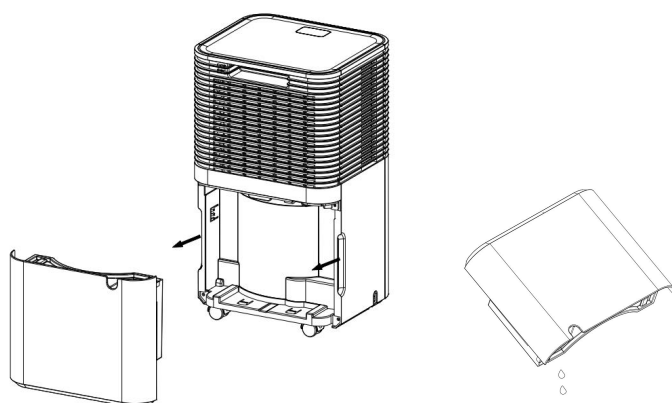
**A. Drenare manuală:** Rezervorul de apă, scos și golit manual.

**B. Drenarea continuă:** Atașarea la dispozitiv a unui furtun de scurgere gravitacionala a apei rezultată din condensare.

### b) Golirea rezervorului

Dispozitivul se va opri imediat ce rezervorul se va umple cu apă. Dezumidificatorul va reporni doar după ce goliți rezervorul de apă și îl reinstalați corect. Când rezervorul este plin, dispozitivul va emite un sunet acustic, iar indicatorul LED „Water Full” (Rezervor Plin) se va aprinde.

- Apăsați butonul POWER pentru a opri unitatea.
- Trageți de rezervorul de apă și acesta va ieși din corpul dezumidificatorului.
- Goliți apa din rezervor.
- Curățați interiorul rezervorului, dacă este nevoie, precum și exteriorul.
- Introduceți rezervorul gol înapoi în unitate.
- Apăsați butonul POWER pentru a relua funcționarea dispozitivului.
- Dacă indicatorul corespunzător rezervorului plin rămâne încă aprins, verificați dacă plutitorul rezervorului se află în poziția corectă și nu este blocat în altă poziție.



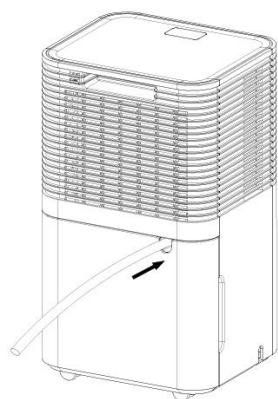
#### ATENȚIE!

- Nu aruncați magneții rezervorului de apă și niturile din plastic. În caz contrar, unitatea nu se va opri automat atunci când rezervorul de apă este plin, iar apa condensată se va revărsa și va deteriora podeaua încăperii.
- Vă rugăm să vă asigurați că ați curățat apa condensată din rezervorul de apă înainte de a reseta modul de funcționare al unității.
- Dacă rezervorul de apă este murdar, clătiți-l cu apă curată. Evitați să folosiți detergenți, bile de oțel, substanțe chimice de îndepărtare a prafului, motorină, benzen, diluanți sau alți solvenți. În caz contrar, rezervorul de apă va fi deteriorat și se vor produce scurgeri.
- Introduceți rezervorul gol înapoi în unitate. În caz contrar, indicatorul „Water Full” (Rezervor Plin) rămâne roșu și unitatea nu va reporni.

### c) Drenare continuă

Pentru funcționarea continuă sau dezumidificare nesupravegheată, vă rugăm să conectați furtunul de scurgere, la unitate. Apa condensată se va scurge liber, gravitațional, într-o găleată sau într-o gură de scurgere.

- Îndreptați furtunul de scurgere
- Introduceți un capăt al furtunului de scurgere în orificiul rezervorului iar celălalt capătul într-o gură de scurgere sau găleată și asigurați-vă că apa poate curge liber din unitate.



Orificiu drenaj continuu

#### ATENȚIE!

- Vă rugăm să nu obstrucționați furtunul de scurgere sau scurgerea, altfel apa condensată va curge în rezervorul de apă.
- Vă rugăm să nu îndoiiți furtunul de scurgere. Furtunul de scurgere trebuie să fie înclinat în jos spre gura de scurgere.
- Furtunul de scurgere trebuie să fie bine conectat la gura de scurgere, astfel încât să evitați scurgerile pe podea.



## 6. ÎNTREȚINERE

Notă: înainte de a efectua curățarea și întreținerea unității, asigurați-vă că ați oprit-o și că ați deconectat-o de la priza de alimentare pentru a preveni șocurile electrice.

### CURĂȚAREA FILTRULUI DE AER

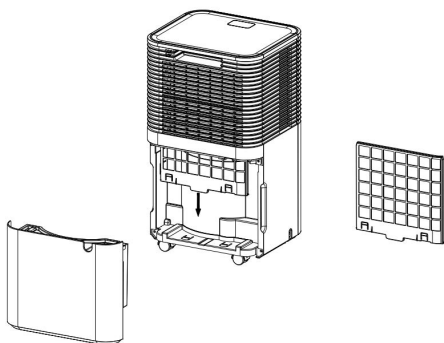
Curățați filtrul cel puțin o dată la două săptămâni sau ori de câte ori este nevoie.

Impuritățile acumulate într-un filtru necurățat pot fi absorbite de ventilator fixându-se pe vaporizatorul, condensatorul și alte componente din interiorul unității, ceea ce duce la scăderea randamentului și apariția diverselor defecțiuni care nu fac, în acest caz, obiectul garanției.

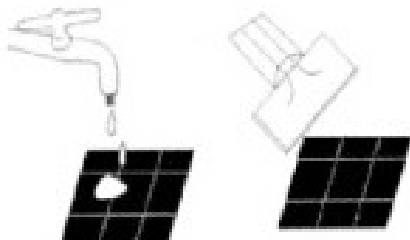
Dacă se constată depuneri de impurități în interiorul unității, contactați cel mai apropiat service autorizat în vederea curățării profesionale a acesteia. Nu efectuați operațiuni de curățare internă (altele decât curățarea și spălarea filtrului lavabil) decât cu personal specializat.

a) Scoateți grila filtrului și îndepărtați filtrul.

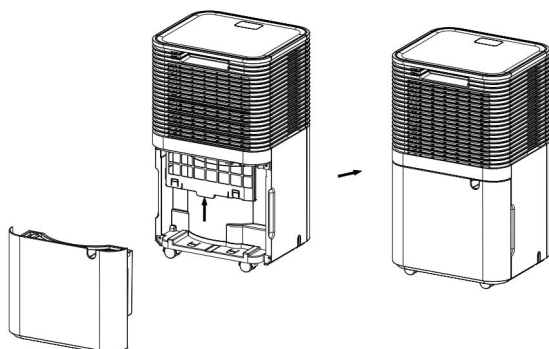
1. Scoateți rezervorul de apă din unitate, apoi scoateți filtrul aflat din partea de jos a carcasei din spate;



b) Folosiți un aspirator pentru a îndepărta ușor praful de pe suprafața filtrului. Dacă filtrul este foarte murdar, spălați-l cu apă și cu detergent și uscați-l bine după aceea.



d) Reașezați filtrul la locul său în spatele dispozitivului.



## 7. DEPANARE

a) TEMPERATURA DE FUNCȚIONARE

**$5^{\circ}\text{C} \leq \text{Temp. ambientală} \leq 35^{\circ}\text{C}$**

Când temperatura ambientală este mai mică sau mai mare decât temperatura de funcționare, dezumidificatorul se oprește.

**Când  $5^{\circ}\text{C} \leq \text{Temp. Ambientă} \leq 16^{\circ}\text{C}$** , compresorul se decongelează automat la anumite intervale; în timpul decongelării, compresorul se oprește și ventilatorul continuă să funcționeze.

b) ÎNAINTE DE A SOLICITA SERVICE

Înainte de a contacta centrul de service, consultați lista de posibile probleme care pot apărea în timpul funcționării unității și care nu sunt rezultatul unui defect de manopere sau materiale folosite.

Problemă	Cauze posibile	Soluție
Aparatul nu funcționează	Nu există alimentare.	Conectați aparatul la o priză de curent și porniți-l.
	Indicatorul "Water Full" (Rezervor Plin) este aprins.	Goliți rezervorul de apă și reașezați-l la locul potrivit.
	Temperatura camerei $<5^{\circ}\text{C}$ sau $>35^{\circ}\text{C}$	Sistem de protecție instalat pentru a proteja unitatea. Unitatea nu poate funcționa la o astfel de temperatură.

Funcționare defectuoasă	Filtrul de aer este blocat?	Curățați filtrul de aer după cum este explicat în prezentul manual.
	Este blocat orificiul de admisie sau de evacuare?	Îndepărtați orice lucru obstrucționează orificiul de admisie sau evacuare.
Orificiul de admisie a aerului nu permite trecerea aerului	Filtrul este blocat?	Spălați filtrul.
Unitatea scoate zgomote în timpul funcționării	Unitatea este poziționată pe o suprafață orizontală și plată?	Așezați unitatea corespunzător.
	Filtrul este blocat?	Spălați filtrul.
E2	Probleme la senzorul de umiditate	Schimbați senzorul
LO	Nivelul umidității din cameră a scăzut sub 20%	Dezumidificatorul se oprește automat pentru a se autoproteja.
HI	Nivelul umidității din cameră a crescut peste 90%	
CL	Protecție la temperatură scăzută, când temp. camerei este <5°C	
CH	Protecție la temperatură ridicată, când temp. camerei este >35°C	

## 8. ELIMINARE

### 8.1 DEPOZITAREA UNITĂȚII

**Depozitare pe termen lung** - Dacă nu veți folosi unitatea pentru o perioadă lungă de timp (mai mult de câteva săptămâni), vă recomandăm să o curățați și să o uscați complet.

Vă rugăm să depozitați unitatea urmând acești pași:

- Apăsăți butonul de alimentare pentru a opri unitatea și deconectați-o de la priza de alimentare cu curent.
- Scurgeți apa rămasă în unitate.
- Curățați filtrul și lăsați-l să se usuce complet într-o zonă ferită de lumină.
- Înfășurați cablul de alimentare.
- Reinstalați filtrul în poziția corectă.
- Unitatea trebuie păstrată în poziție verticală atunci când este depozitată.
- Păstrați dezumidificatorul într-o cameră ventilată, uscată, fără combustibili.

**ATENȚIE:** Evaporatorul din interiorul dezumidificatorului trebuie uscat înainte de ambalarea acestuia pentru a evita deteriorarea componentelor și apariția mușcăiului. Deconectați unitatea și așezați-o într-un spațiu deschis uscat timp de zile pentru a se usca bine. Un alt mod de a usca unitatea este de a seta nivelul umidității la 5% peste umiditatea ambientală, pentru a forța ventilatorul să usuce evaporatorul timp de câteva ore.

## 8.2 ELIMINARE



**AVERTIZARE!!!** Eliberarea agentului frigorific în atmosferă este strict interzisă! Nu aruncați aparatele electrice ca deșeuri municipale nesortate, ci folosiți spațiile de colectare separate. Contactați administrația locală pentru informații despre sistemele de colectare disponibile în zonă. Dacă aparatele electrice sunt aruncate împreună cu gunoiul menajer, substanțele periculoase se pot infiltra în apele subterane și pot ajunge în lanțul alimentar, dăunând sănătății și bunăstării persoanelor.

# Manual de utilizare al aplicației SMART LIFE



Aplicația „Smart Life” este disponibilă pentru Android și iOS. Scanați cu smartphone-ul codul QR corespunzător pentru a accesa direct descărcarea.

## Utilizarea aplicației

Această aplicație vă permite să utilizați dispozitivul prin rețeaua dvs. de acasă, WIFI. O condiție prealabilă este o conexiune WIFI permanentă la router și instalarea gratuită a aplicației „Smart Life”.

Vă recomandăm să deconectați dispozitivul de la sursa de alimentare atunci când sunteți departe de casă pentru a preveni pornirea neintenționată.

1. Instalați aplicația „Smart Life”. Creați un cont de utilizator.
2. Activați funcția WIFI în setările dispozitivului dvs. - apăsați butonul TIMER pentru cel puțin 5 secunde.
3. Așezați aparatul la o distanță de aproximativ 5 metri față de router.
4. La pornirea dispozitivului, indicatorul WIFI clipește, fiind gata de conectare. După 3 minute, această stare a conexiunii WIFI și indicatorul luminos se vor opri automat dacă nu se efectuează conexiunea. Dacă trebuie să reconectați WIFI, atingeți lung butonul „TIMER” timp de 5 secunde pentru a porni configurarea rețelei, iar indicatorul WIFI va clipi indicând că este gata de conectare.

## Conectarea dispozitivului prin rețeaua WIFI

### Metoda 1

#### Conectare prin Bluetooth

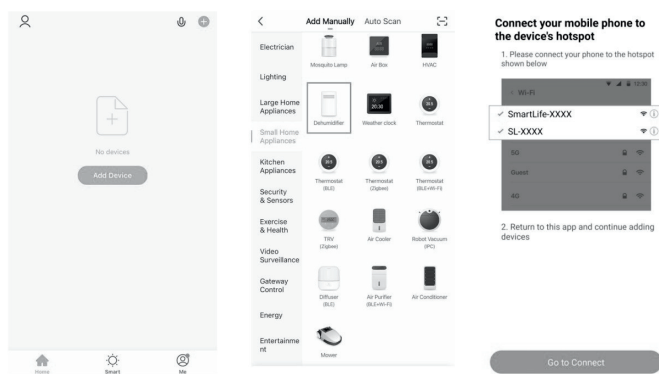
- Deschideți conexiunea Bluetooth a telefonului dvs. mobil sau al altui dispozitiv.
- Când indicatorul WIFI clipește, deschideți aplicația „Smart Life”, iar unitatea se va conecta automat prin Bluetooth.

### Metoda 2

- Când indicatorul WIFI clipește, selectați: **„Adăugați dispozitiv” - „Electrocasnice mici” - „Dezumidificator”** și urmați instrucțiunile din aplicația Smart Life. Verificați starea indicatorului WIFI și alegeți starea corectă.
- Dacă indicatorul WIFI clipește rapid, se poate conecta direct.
- Dacă indicatorul WIFI clipește lent, apăsați „Go to Connect” pentru a conecta WIFI numit „SmartLife-XXXX”.

### NOTA

- Odată ce dispozitivul a fost conectat cu succes, indicatorul WIFI ramane aprins. Acum puteți controla dispozitivul prin intermediul aplicației.
- Apăsați și mențineți apăsat butonul Timer timp de aproximativ 5 secunde, aparatul se deconectează, iar lampa WIFI se stinge.



## DEPANARE

### Conexiune la rețeaua esuata

Expirarea timpului de conectare la rețea

### Soluție

1. Verificați dacă ați selectat rețeaua WIFI numită „SmartLife-XXXX”.
2. Opriti dispozitivul, deconectați cablul de alimentare de la priza electrică și conectați-l din nou după 10 secunde, intrați în aplicația Smart Life pentru a vă conecta din nou.

Indicator WIFI stins

Apăsați lung butonul „Timer” sau Opriti dispozitivul și deconectați cablul de alimentare de la priza electrică, conectați-l după 10 secunde.

Hotspot-ul WIFI a disparut, iar indicatorul WIFI clipește

Opriti dispozitivul și deconectați cablul de alimentare de la priza electrică, conectați-l după 10 secunde.

# DE: INHALT

1.	VORBEMERKUNGEN	39
2.	SICHERHEITSANWEISUNGEN	41
3.	PRODUKTVORSTELLUNG	44
4.	EINRICHTUNG	46
5.	BETRIEB	47
6.	INSTANDHALTUNG	52
7.	FEHLERBEHEBUNG	53
8.	ENTSORGUNG	54
9.	SMART LIFE - BENUTZERHANDBUCH DER APP	57

Vielen Dank, dass Sie sich für unseren Luftentfeuchter entschieden haben.  
Lesen Sie dieses Handbuch sorgfältig durch, bevor Sie den Luftentfeuchter  
*Bitte bewahren Sie dieses Handbuch zum späteren Nachschlagen sorgfältig auf!*

# 1. VORBEMERKUNGEN

**Bitte lesen Sie die Bedienungsanleitung sorgfältig durch, bevor Sie den Luftentfeuchter zum ersten Mal in Betrieb nehmen.**

## A. PRODUKTBESCHREIBUNG

Mit dem Luftentfeuchter wird der Luft überschüssige Feuchtigkeit entzogen. Durch Verringern der Luftfeuchtigkeit werden Gebäude und sich darin befindliche Gegenstände vor den nachteiligen Auswirkungen der Luftfeuchtigkeit geschützt.

Das Produkt R290 ist umweltfreundlich und wird als Kältemittel eingesetzt. R290 hat keinen negativen Einfluss auf die Ozonschicht (ODP) oder den Treibhauseffekt (GWP) und ist weltweit erhältlich. Aufgrund seiner energieeffizienten Eigenschaften eignet sich R290 in dieser Situation sehr gut als Kühlmittel. Aufgrund der hohen Entflammbarkeit des Kältemittels sind jedoch besondere Vorkehrungen zu treffen.

## B. SYMBOLE, DIE AM GERÄT UND IM HANDBUCH VERWENDET WERDEN



**Warnung!**

Dieses Gerät verwendet Kältemittel. Wenn das Kältemittel austritt und mit einer Flamme oder einer Wärmequelle in Berührung kommt, entstehen schädliche Gase und es besteht Brandgefahr.



Lesen Sie die Bedienungsanleitung vor Gebrauch sorgfältig durch.



Weitere Informationen finden Sie in der **BEDIENUNGSANLEITUNG** und der **WARTUNGSANLEITUNG**.



Vor der Inbetriebnahme des Geräts sollten die Personen, die die Wartungsarbeiten durchführen, die **BEDIENUNGSANLEITUNG** und die **WARTUNGSANLEITUNG** sorgfältig lesen.

## C. ACHTEN SIE STETS AUF DIE FOLGENDEN INFORMATIONEN

- Dieses Gerät ist sowohl für erfahrene als auch für geschulte Benutzer in Geschäften, in der Leichtindustrie und in landwirtschaftlichen Betrieben sowie für Haushaltsbenutzer bestimmt.

- Dieses Gerät kann von Kindern über 8 Jahren und Personen mit eingeschränkten körperlichen, sensorischen oder geistigen Fähigkeiten oder mangelnder Erfahrung und mangelndem Wissen verwendet werden vorausgesetzt, sie werden von erwachsenen Personen beaufsichtigt, die für ihre Sicherheit verantwortlich sind, oder wenn sie Anleitungen darüber bekommen wie die Einheit verwendet werden sollte.
- Dieses Gerät ist kein Spielzeug. Kinder unter drei Jahren müssen ständig überwacht und von dem Gerät ferngehalten werden.
- Das Gerät ist ausschließlich für die Verwendung von R290 (Propangas) als Kältemittel vorgesehen.
- Der Kühlkreislauf ist abgedichtet. Reparaturen am Kühlkreislauf dürfen nur von qualifizierten Personen durchgeführt werden.
- Kältemittel nicht in die Atmosphäre ablassen.
- R290 (Propan) ist brennbar und schwerer als Luft.
- R290 kann am Boden identifiziert werden, kann aber auch von einem Lüfter umgewälzt werden.
- Lassen Sie bei Verdacht auf Anwesenheit von Propangas nicht zu, dass Unqualifizierte versuchen, die Anlage zu reparieren.
- Das bei der Einrichtung dieses Geräts verwendete Propangas ist geruchsneutral.
- Das Fehlen von Gerüchen deutet nicht auf das Fehlen von Abgasen hin.
- Wenn eine Undichtigkeit festgestellt wird, bitte sofort alle Personen in der Umgebung evakuieren, den Raum lüften und sich an die Feuerwehr wenden, um sie über eine Propanleckage zu informieren.
- Lassen Sie keine Person in den Raum zurückkehren, bevor der Techniker eintrifft, und bevor dieser seine Empfehlung über die Sicherheit der Rückkehr in den betroffenen Bereich gibt.
- Offenes Feuer, Zigaretten oder andere mögliche Zündquellen dürfen nicht im oder in der Nähe des Geräts verwendet werden.
- Die Bauteile sind speziell für den Einsatz mit Propangas ausgelegt. Die Bauteile werden nur durch identische Ersatzteile ersetzt.

DIE NICHT-EINHALTUNG DER SICHERHEITSANLEITUNGEN KANN DIE GEFAHR VON EXPLOSIONEN, TOD KÖRPERVERLETZUNG UND SACHSCHÄDEN ERHÖHEN.



## 2. SICHERHEITSANWEISUNGEN

Ihre Sicherheit ist das Wichtigste für uns!




Bitte lesen Sie dieses Handbuch sorgfältig durch, bevor Sie den Luftentfeuchter verwenden.


### A. WARNHINWEISE FÜR DEN BETRIEB DES GERÄTS

**WARNUNGEN: bezüglich der Gefahr von Bränden, Stromschlag, Körperverletzung oder Sachschaden:**

- Wenn das Netzkabel beschädigt ist, muss es vom Hersteller, seinem Kundendienst oder qualifiziertem Personal ausgetauscht werden, um Gefahren zu vermeiden.
- Der gewichtete Schalldruckpegel A liegt unter 36 dB.
- Während der Wartung muss das Gerät vom Stromnetz getrennt sein.
- Schließen Sie das Gerät immer an eine Spannungsquelle an, die den Angaben auf dem Typenschild entspricht.
- Verwenden Sie immer eine geerdete Steckdose.
- Ziehen Sie das Netzkabel ab, wenn Sie das Gerät reinigen oder es nicht benutzen.
- Benutzen Sie die Maschine nicht mit nassen Händen. Lassen Sie kein Wasser in das Gerät fließen.
- Tauchen Sie das Gerät nicht in Wasser und setzen Sie es weder Regen noch Feuchtigkeit oder anderen Flüssigkeiten aus.
- Lassen Sie das Gerät während des Betriebs nicht unbeaufsichtigt. Kippen Sie es nicht und drehen Sie es nicht um.
- Trennen Sie das Gerät nicht während des Betriebs vom Stromnetz.
- Trennen Sie das Gerät nicht durch Ziehen am Netzkabel.
- Verwenden Sie kein Verlängerungskabel oder einen Adapter.
- Stellen Sie keine Gegenstände auf das Gerät.
- Klettern Sie nicht auf das Gerät und stellen Sie sich nicht darauf.
- Stecken Sie keine Finger oder andere Gegenstände in den Luftauslass.
- Berühren Sie nicht den Luftauslass oder die Aluminiumschlitze im Gerät.
- Verwenden Sie das Gerät nicht, wenn es heruntergefallen oder beschädigt ist oder Anzeichen von Fehlfunktionen aufweist.
- Reinigen Sie das Gerät nicht mit Chemikalien.
- Stellen Sie sicher, dass das Gerät nicht in der Nähe von Feuer, brennbaren oder explosionsgefährdeten Gegenständen steht.
- Das Gerät muss gemäß den nationalen Vorschriften für Verkabelungssysteme installiert werden.
- Verwenden Sie keine anderen als die vom Hersteller empfohlenen Mittel, um den Auftau- oder den Reinigungsprozess zu beschleunigen.
- Das Gerät muss in einem Raum ohne Dauerbetrieb gelagert werden (z. B. offenes Feuer, Gasgerät oder Elektroheizung).
- Das Gerät muss so gelagert werden, dass es nicht beschädigt wird.

- Zerlegen oder entsorgen Sie das Gerät nicht in einem Feuer, auch nicht nach dem Gebrauch.
- Beachten Sie, dass Kältemittel nicht riechen.
- Die Leitungen des Geräts müssen vor physischen Beschädigungen geschützt werden und dürfen nicht in einem unbelüfteten Raum installiert werden, wenn dieser Raum kleiner als 4 m<sup>2</sup> ist.
- Bitte die nationalen Gasvorschriften einhalten.
- Halten Sie die Lüftungsöffnungen frei von Hindernissen.
- Das Gerät sollte für einen ordnungsgemäßen Betrieb an einem gut belüfteten Ort gelagert werden, an dem die Raumgröße den angegebenen Bedingungen entspricht.

 Jeder, der an einem Kältekreislauf arbeitet, muss über ein gültiges Zertifikat verfügen, das von einer akkreditierten Bewertungsbehörde ausgestellt wurde und dessen Befugnis zum sicheren Umgang mit Kältemitteln gemäß den in dieser Branche anerkannten Spezifikationen bestätigt ist.

 Reparaturen an der Installation dürfen nur gemäß den Empfehlungen des Herstellers durchgeführt werden. Wartung und Reparaturen erfordern die Unterstützung von qualifiziertem Personal und werden unter Aufsicht einer Person durchgeführt, die für die Verwendung brennbarer Kältemittel zuständig ist.

Treten Probleme auf, die Sie nicht verstehen oder wenn Sie Hilfe benötigen, wenden Sie sich bitte an den autorisierten Händler.

## B. SICHERHEITSHINWEISE BEI REPARATUREN

Bitte beachten Sie diese Warnungen, bevor Sie Wartungsarbeiten an einem R290-Luftentfeuchter durchführen.

### i. PRÜFUNGEN IN DER NACHBARSCHAFT DES GERÄTS

Vor Beginn der Arbeiten an Anlagen mit brennbaren Kältemitteln sind Sicherheitskontrollen erforderlich, um das Zündrisiko zu minimieren. Bei der Reparatur der Kälteanlage sind die folgenden Vorsichtsmaßnahmen zu beachten, bevor die Arbeiten an der Anlage ausgeführt werden.

### ii. ARBEITSVERFAHREN

Die Arbeiten werden nach einem kontrollierten Verfahren durchgeführt, um das Risiko des Auftretens von brennbaren Gasen oder Dämpfen während der Arbeiten zu minimieren.

### iii. ARBEITSBEREICH

Das gesamte Wartungspersonal und andere in der Nachbarschaft tätige Personen sollten in der Art der ausgeführten Arbeiten geschult sein. Vermeiden Sie Arbeiten auf engstem Raum. Das Areal um den Arbeitsbereich ist begrenzt. Stellen Sie sicher, dass die Räume in der Umgebung durch die Prüfung entflammbarer Materialien gesichert wurden.

#### iv. ÜBERPRÜFUNG DER ANWESENHEIT DES KÄLTEMITTELS

Der Bereich muss mit einem geeigneten Kältemitteldetektor überprüft werden, um zu prüfen, ob möglicherweise entzündbare Materialien vorhanden sind. Vergewissern Sie sich, dass die verwendeten Leckanzeigergeräte zur Identifizierung von brennbaren Kältemitteln geeignet sind, dass sie keine Funken von sich geben und ordnungsgemäß versiegelt sind.

#### v. VORSTELLUNG DES FEUERLÖSCHERS

Wenn an der Kälteanlage oder einem damit verbundenen Teil Heißenarbeiten durchgeführt werden, muss eine geeignete Feuerlöschrüstung vorhanden sein. Stellen Sie sicher, dass Sie ein Löscher mit trockenem Pulver oder einen CO<sub>2</sub>-Löscher in der Nähe haben.

#### vi. OHNE ZÜNDQUELLEN

Keine Person, die Arbeiten an einer Kälteanlage ausführt und die einem brennbaren Kältemittel ausgesetzt ist, darf Zündquellen verwenden, um die Gefahr von Bränden oder Explosionen zu vermeiden. Alle möglichen Zündquellen, einschließlich des Rauchens, sollten weit genug vom Ort der Installation, Reparatur, Demontage und Entsorgung entfernt sein, an dem brennbares Kältemittel freigesetzt werden kann. Vor Durchführung der Arbeiten ist der Bereich um die Anlage herum auf brennbare Produkte und Entzündungsgefahren zu überprüfen. Das "Rauchen verboten" Schild muss angebracht sein.

#### vii. BELÜFTETER BEREICH

Stellen Sie sicher, dass der Arbeitsbereich gut belüftet ist, bevor Sie mit Arbeiten an der Anlage oder Heißenarbeiten beginnen. Durch die Belüftung sollte das freigesetzte Kältemittel sicher verteilt und vorzugsweise nach außen, in die Atmosphäre ausgestoßen werden.

#### viii. PRÜFUNGEN AN DER KÄLTEMITTELANLAGE

Wenn die elektrischen Komponenten geändert werden, müssen sie dem Verwendungszweck entsprechen und die korrekten Spezifikationen befolgen. Die Anweisungen des Herstellers in Bezug auf Wartungs- und Servicearbeiten müssen jederzeit befolgt werden. Wenden Sie sich im Zweifelsfall an die technische Abteilung des Herstellers.

Die folgenden Prüfungen gelten für Installationen mit brennbaren Kältemitteln:

- Die Größe der Ladung richtet sich nach der Größe des Raums, in dem die Bauteile installiert sind, die das Kältemittel enthalten.
- Die Belüftungsgeräte und -öffnungen funktionieren ordnungsgemäß und sind nicht verstopft.
- Bei Verwendung eines indirekten Kältekreislaufs muss der Sekundärkreislauf auf das Vorhandensein des Kältemittels überprüft werden.
- Die Markierungen der Arbeitsausrüstung sind sichtbar und lesbar. Nicht lesbare Markierungen und Zeichen werden korrigiert;

- Die Kältemittelanlage oder ihre Bauteile sind so angeordnet, dass sie keinem ätzenden Stoff ausgesetzt werden können, es sei denn, die Bauteile bestehen aus Materialien, die ihrer Art nach korrosionsbeständig oder ausreichend geschützt sind.

#### ix. PRÜFUNGEN DER ELEKTRISCHEN GERÄTE

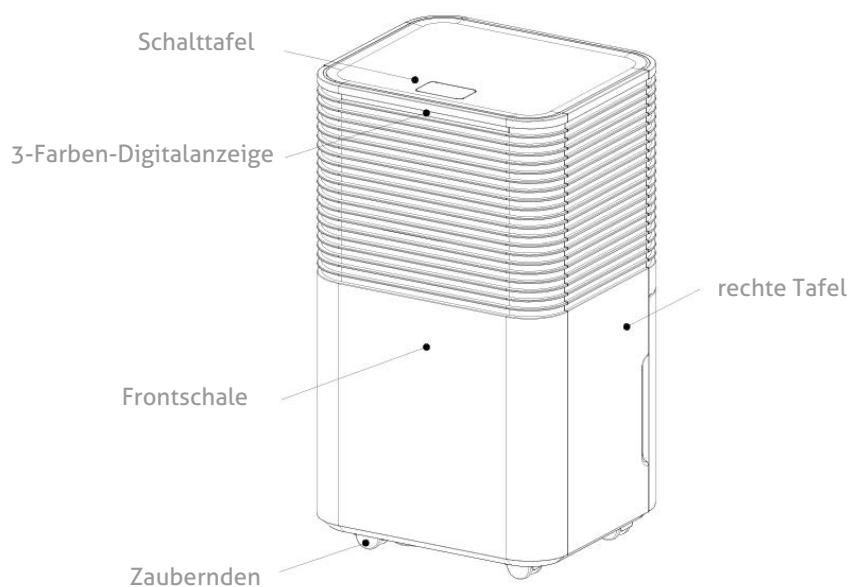
Die Reparatur und Wartung elektrischer Bauteile muss erste Sicherheitsprüfungen und Verfahren zur Überprüfung der Bauteile umfassen. Wenn ein Fehler vorliegt, der die Sicherheit beeinträchtigen könnte, wird das Gerät erst dann wieder an die Stromversorgung angeschlossen, wenn der Fehler zufriedenstellend behoben wurde. Wenn der Fehler nicht sofort behoben werden kann, der Betrieb jedoch fortgesetzt werden muss, wird eine geeignete vorübergehende Lösung verwendet. Dies wird dem Eigentümer des Geräts gemeldet, damit alle Beteiligten über diese Situation informiert sind.

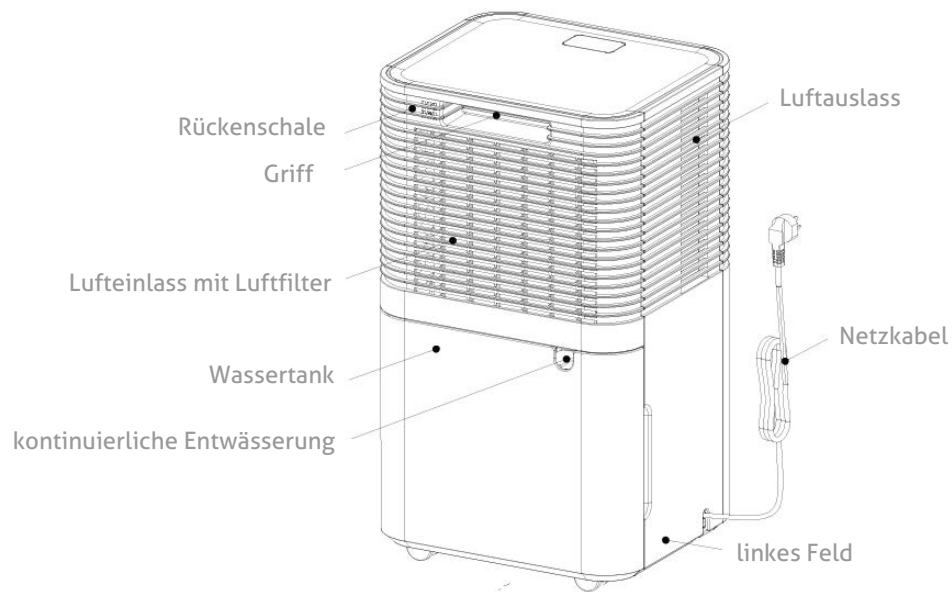
#### **Erste Sicherheitsüberprüfungen werden durchgeführt, wenn:**

- Kondensatoren entladen werden: Dies muss unter Sicherheitsbedingungen geschehen, um das Auftreten von Funken zu vermeiden.
- Die elektrischen Bauteile und Kabel stehen auch während des Ladens, Wiederherstellens oder Löschens des Systems nicht unter Spannung.
- es besteht eine Kontinuität der Erdung.

## 3. PRODUKTVORSTELLUNG

### A. SICHT VORNE UND HINTEN





## B. EIGENSCHAFTEN

- Effektive Feuchtigkeitsentfernung
- Überwachung und Anzeige der aktuellen Luftfeuchtigkeit
- Der automatische Modus passt die Luftfeuchtigkeit automatisch an
- Zeitschaltuhr mit 24 Stunden Intervall um die Betriebszeit einzustellen
- beseitigt wirksam die Feuchtigkeit und den Staub aus der Luft
- Geringer Energieverbrauch, energieeffizient
- Der Lüfter ist leise mit zwei Gängen
- Automatische Abtauung bei Niedertemperaturbetrieb
- Automatisches Herunterfahren / automatischer Neustart
- Elektronische Steuerung
- Kontinuierlicher Entfeuchtungsmodus
- Wassertank 2L

## C. TECHNISCHE SPEZIFIKATIONEN

MODELL	<b>Epi 12/ 12 wifi</b>
Entfeuchtungskapazität	<b>12L/Tag (30°C, 80%)</b>
Zulauf	<b>AC220-240V/50Hz</b>
Verbrauch	<b>200W/1.2A</b>
Schallpegel	<b>≤38dB(A)</b>

Wassertank Kapazität	2.0L
Maximale Kältemittelkapazität	R290/50g
Nettogewicht	10kg
Maximaler Auslegungsdruck	Hoch: 3.2MPa Niedrig:0.7MPa
Minimale Raumgröße	4 m <sup>2</sup> (Oberfläche des Bodens)
Abmessungen	255x220x445 mm
Sicherheitsart und Klassifizierung	T-Type, AC 250V, 3.15A

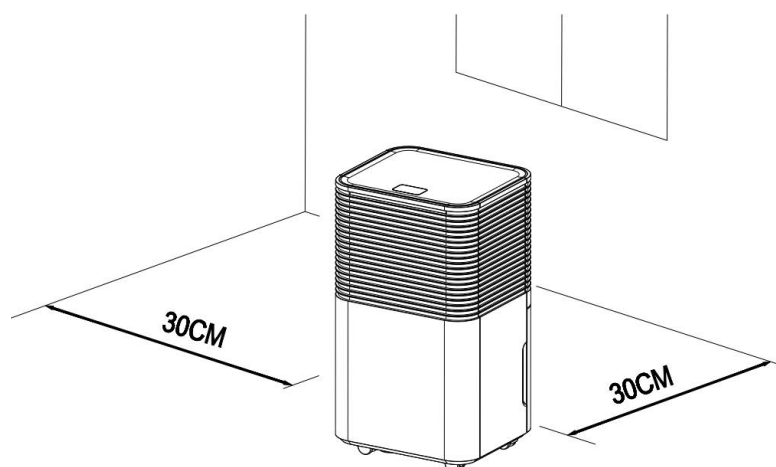
## 4. EINRICHTUNG

### A. STANDORT DES ENTFEUCHTERS

Place Stellen Sie das Gerät auf eine stabile, ebene Fläche und lassen Sie um das Gerät herum mindestens 30 cm Freiraum, um eine ordnungsgemäße Luftzirkulation zu gewährleisten.

#### Installieren Sie niemals das Gerät:

- Neben Wärmequellen wie Heizkörpern, Heizstrahler, Herden oder anderen wärmeerzeugenden Geräten.
- In einem Bereich, in dem Öl oder Wasser versprüht werden kann
- In direktem Sonnenlicht
- In einem Bereich mit Vibrationen oder mechanischen Stößen
- In einem Bereich mit übermäßigem Staub
- In einem unbelüfteten Bereich wie einem Schrank oder einer Bibliothek
- Auf unebenem Untergrund





### VORSICHT

Stellen Sie das Gerät in Räumen auf, die größer sind als 4 m<sup>2</sup>.

Stellen Sie das Gerät nicht an einem Ort auf, an dem entflammbares Gas austreten kann.



### BEMERKUNG

Der Hersteller kann ein anderes geeignetes Beispiel oder zusätzliche Informationen zum Geruch des Kältemittels bereitstellen.

## B. SICHERER GEBRAUCH DES GERÄTS

- Überprüfen Sie das Gerät nach dem Auspacken auf Beschädigungen oder Kratzer.
- Verwenden Sie dieses Gerät bei einer Umgebungstemperatur zwischen 5 ° C und 35 ° C.
- Verwenden Sie den Luftentfeuchter nicht im Freien. Dieser Luftentfeuchter ist nur für den Hausgebrauch bestimmt.
- Verwenden Sie den Luftentfeuchter nicht in der Nähe von Wänden, Vorhängen oder anderen Gegenständen, die den Lufteinlass und -auslass blockieren könnten.
- Halten Sie die Einlass- und Auslassöffnungen frei von Hindernissen
- Wenn das Gerät in einem Winkel von mehr als 45 ° geneigt wurde, lassen Sie es vor dem Start mindestens 24 Stunden lang aufrecht stehen.
- Halten Sie Türen und Fenster geschlossen, um die Effizienz des Luftentfeuchters zu verbessern.
- Verwenden oder lagern Sie das Gerät nicht in direktem Sonnenlicht oder im Regen.
- Es ist normal, dass sich der Luftauslass nach einem Dauerbetrieb an heißen Tagen erwärmt.
- Leeren Sie den Wassertank, bevor Sie den Luftentfeuchter bewegen.
- Stellen Sie sicher, dass der Wassertank ordnungsgemäß montiert ist, da sonst das Gerät nicht richtig funktioniert.
- Der Luftentfeuchter startet in dem Modus, der bei der letzten Verwendung ausgewählt wurde.
- Der Luftentfeuchter beginnt, die Raumluft zu entfeuchten, wenn die Luftfeuchtigkeit 3% über dem gewählten Wert liegt.
- Der Kompressor ist mit einem Schutzsystem ausgestattet, das den Start um 3 Minuten verzögert. Sie müssen also 3 Minuten warten, bis das Gerät den Entfeuchtungsprozess wieder aufgenommen hat.

## 5. BETRIEB

### A. 3-farbige LED-Feuchtigkeitsanzeige an der Vorderseite

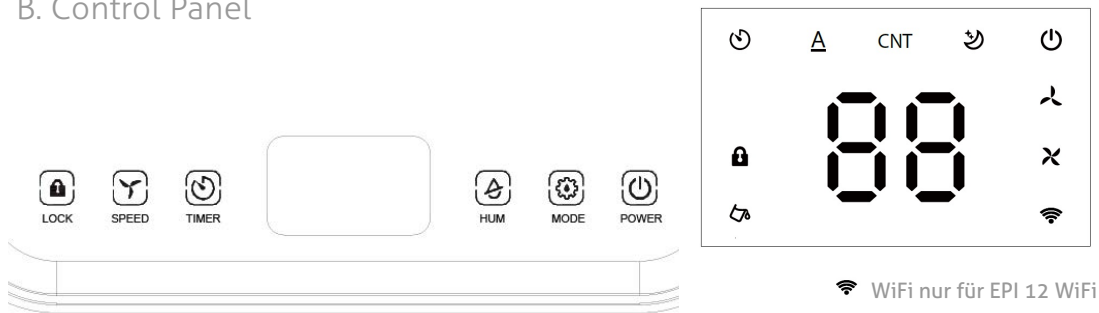
**Blaulichtanzeiger** – Die Luftfeuchtigkeit im Raum beträgt weniger als 45%

**Grünlichtanzeiger** – Die Luftfeuchtigkeit im Raum beträgt zwischen 45% und 65%

**Rotlichtanzeiger** – Die Luftfeuchtigkeit im Raum beträgt mehr als 65%

Wenn die LED E0, E2 , CL , CH, LO, HI anzeigt, leuchtet das Licht rot.

## B. Control Panel



### LEISTUNG (POWER)

Nach dem Einschalten leuchten alle Anzeigeleuchten und das Display 1 Sekunde lang auf. Danach schalten sie sich aus. Nach dem Piepton leuchtet die Betriebsanzeigeleuchte auf und das Gerät wechselt in den Standby-Modus (Bereitschaftsmodus). Drücken Sie diese Taste erneut, und das Gerät startet mit den folgenden Standardwerten: Anfangsfeuchtigkeit 60% RH, automatischer Betriebsmodus und hohe Lüfterstufe. Drücken Sie diese Taste erneut und das Gerät wird ausgeschaltet, ebenso wie der Lüfter.



### Betriebsarten (MODE)

**Automatisch / Dauerentfeuchtung / Ruhemodus**, rücken Sie einmal, um zwischen den Modi zu wechseln. Die entsprechende Anzeige leuchtet auf.

- **Automatikmodus:** Wenn die Raumfeuchtigkeit  $\geq$  der eingestellten Luftfeuchtigkeit + 3% ist, startet der Lüfter und der Kompressor startet nach 3 Sekunden in Betrieb zu gehen. Wenn die Raumfeuchtigkeit  $\leq$  der eingestellten Luftfeuchtigkeit -3%, stoppt der Kompressor und der Lüfter nach 30 Sekunden Verzögerung. Sowohl die Lüftergeschwindigkeit als auch die Luftfeuchtigkeit können im Auto-Modus (Automatikmodus) eingestellt werden.
- **Betriebsmodus kontinuierliche Entfeuchtung:** Das Gerät funktioniert weiter, aber die Luftfeuchtigkeit kann nicht eingestellt werden.
- **Sleep-Modus (Leerlaufmodus):** Drücken Sie die SLEEP-Taste, die entsprechende Anzeige leuchtet auf und die Leerlauffunktion wird aktiviert. Wenn das Bedienfeld 10 Sekunden lang nicht betätigt wird, verringern alle Anzeigen ihre Lichtintensität und die Lüftergeschwindigkeit herunterschaltet. Drücken Sie eine beliebige Taste, um die Leerlaufmodus-LED wieder einzuschalten. Drücken Sie die MODE-Taste erneut, um den SLEEP-Modus (Leerlauf) zu verlassen. Im SLEEP-Modus (Leerlauf) wird der Standard-Code nicht angezeigt und die Lüftergeschwindigkeit und Luftfeuchtigkeit können nicht eingestellt werden.





### **Zeitschaltuhr**

Drücken Sie die Timer-Taste (Zeitschaltuhrtaste), um diese Funktion von 0 bis 12 Stunden einzustellen. Das Einstellintervall beträgt 1 Stunde. Immer wenn Sie diese Taste drücken, erhöht sich der Wert um eine Stunde und wird auf dem Bildschirm angezeigt. Um die Timer-Funktion (Zeitschaltuhrfunktion) abzubrechen, wählen Sie den Wert "00". Die der Timerfunktion (Zeitschaltuhrfunktion) entsprechende Anzeige leuchtet auf. Nach dem Einstellen der Timer-Funktion (Zeitschaltuhrfunktion) leuchtet die entsprechende LED während der gesamten eingestellten Dauer. Nach Ablauf der eingestellten Zeit erlischt die entsprechende LED automatisch. Stellen Sie im Betriebsmodus die Timer-Funktion (Zeitschaltuhrfunktion) ein, um das Gerät auszuschalten; Stellen Sie im Standby-Modus (Bereitschaftsmodus) die Timer-Funktion (Zeitschaltuhrfunktion) so ein, dass das Gerät eingeschaltet wird.



### **Einstellen der Feuchtigkeit**

Drücken Sie im Auto-Modus oder im SLEEP-Modus (Leerlauf) diese Taste, um die gewünschte Luftfeuchtigkeit einzustellen. Der gewünschte Feuchtigkeitseinstellintervall (Schritt für Schritt) beträgt 30% - 35% - 40% - 45% - 50% - 55% - 60% - 65% - 70% - 75% - 80%.

Halten Sie diese Taste gedrückt und die Lichtanzeigen zeigen die aktuelle Raumtemperatur an.



### **Lüftergeschwindigkeit (SPEED)**

Lüftergeschwindigkeit kann nur im Automatikmodus geändert werden.

Drücken Sie die Taste einmal, um von hoher auf niedrige Geschwindigkeit umzuschalten. Die entsprechende LED-Anzeige leuchtet auf.



### **Kinder Schutzfunktion (LOCK)**

Halten Sie diese Taste gedrückt, um die Kinderschutzfunktion zu aktivieren/deaktivieren. Die Funktionslichtanzeige leuchtet auf. Alle Funktionen sind gesperrt und können nicht aktiviert werden.

Drücken Sie diese Taste erneut, die Lichtanzeige erlischt und die Funktionen werden wieder aktiviert. Nach dem Ausschalten des Gerätes ist die Kinderschutzfunktion deaktiviert.

## A. DRAINAGE

Es gibt zwei Möglichkeiten, das gesammelte Wasser vom Gerät zu entfernen.

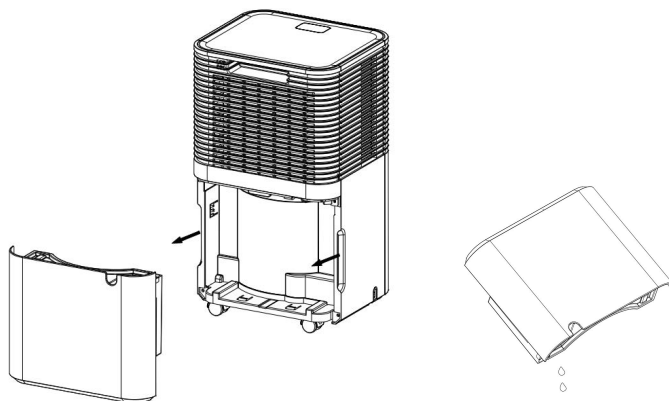
A. Drainage von Hand: Wassertank, manuell entnommen und entleert.

B. Kontinuierliche Drainage: Anbringen eines Schwerkraft-Entwässerungsschlauchs für kondensiertes Wasser am Gerät.

## B. LEEREN DES WASSERTANKES

Wenn der Tank voll ist, gibt das Gerät ein summendes Geräusch von sich und die Anzeige „Wasser voll“ leuchtet auf.

- Drücken Sie die POWER-Taste, um das Gerät auszuschalten.
- Ziehen Sie den Wassertank und er kommt aus dem Luftentfeuchterkörper.
- Lassen Sie das Wasser aus dem Tank ab.
- Reinigen Sie gegebenenfalls das Innere des Wassertanks sowie das Äußere.
- Setzen Sie den leeren Wassertank wieder in das Gerät ein.
- Drücken Sie die POWER-Taste, um den Gerätebetrieb fortzusetzen.
- Wenn die Anzeige für den vollen Wassertank noch leuchtet, prüfen Sie, ob sich der Wassertankschwimmer in der richtigen Position befindet und nicht in einer anderen Position verriegelt ist.

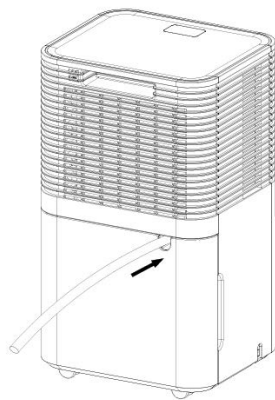


## C. KONTINUIERLICHE ENTWÄSSERUNG

Für Dauerbetrieb oder unbeaufsichtigte Entfeuchtung schließen Sie bitte den Ablaufschlauch an das Gerät an. Das Kondenswasser fließt frei durch die Schwerkraft in

einen Eimer oder in eine Ablauföffnung.

- Stellen Sie das Gerät auf eine horizontale und stabile Oberfläche.
- Schalten Sie das Gerät aus, bevor Sie das Wasser ablassen.



Kontinuierliche Entfeuchungsöffnung

- Werfen Sie keine Wassertankmagnete und Kunststoffnieten weg. Andernfalls schaltet sich das Gerät nicht automatisch aus, wenn der Wassertank voll ist und das Kondenswasser verschüttet wird und den Boden des Raums beschädigt.
- Bitte stellen Sie sicher, dass Sie das Kondenswasser aus dem Wassertank gereinigt haben, bevor Sie das Betriebsmodus des Geräts zurücksetzen.
- Wenn der Wassertank verschmutzt ist, spülen Sie ihn mit sauberem Wasser aus. Vermeiden Sie die Verwendung von Reinigungsmitteln, Stahlkugeln, Chemikalien für das Entfernen von Staub, Diesel, Benzol, Verdünnungsmittel oder anderen Lösungsmitteln. Andernfalls wird der Wassertank beschädigt und es kommt zu Undichtigkeiten.
- Setzen Sie den leeren Wassertank wieder in das Gerät ein. Andernfalls bleibt die Anzeige "Water Full" (voller Wassertank) rot und das Gerät startet nicht neu.

#### **.Continuous drainagehindern:**

Für Dauerbetrieb oder unbeaufsichtigte Entfeuchtung schließen Sie bitte den angeschlossenen Ablaufschlauch an das Gerät an. Kondenswasser kann durch Schwerkraft automatisch in einen Eimer oder Abfluss fließen. 1. Das Abflussrohr 2 festziehen. Ein Ende des Abflusses in den Abfluss in das Spülkastenloch einführen und das andere Ende mit dem Badezimmer-, Außen- oder eimerartigen Behälter oder dem Behälter verbinden vorgeschriebener Entwässerungsbereich.

Bitte blockieren Sie nicht den Abfluss oder das Abflussrohr. Wenn das Phänomen des Verstopfens auftritt, fließt Kondenswasser in den Wassertank. • Bitte biegen Sie das Abflussrohr nicht. Die Höhe des Abflussrohrs sollte niedriger sein als der Auslass. • Das Abflussrohr muss fest mit dem Auslass verbunden sein.

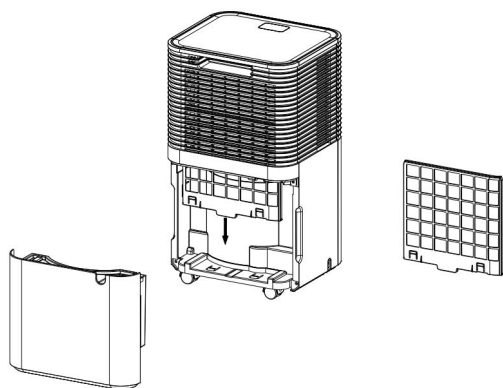
## 6. INSTANDHALTUNG

### REINIGUNG DES LUFTFILTERS

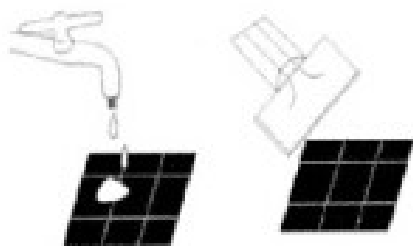
Reinigen Sie den Filter mindestens alle zwei Wochen oder bei Bedarf. Die in einem unsauberen Filter angesammelten Verunreinigungen können vom Lüfter absorbiert werden und am Verdampfer, Kondensator und anderen Bauteilen im Inneren des Geräts befestigt werden. Dies führt zu einer Verringerung des Wirkungsgrades und zum Auftreten verschiedener Fehler, die nicht von der Garantie abgedeckt sind.

Wenn sich im Inneren des Geräts Verunreinigungen befinden, wenden Sie sich zur professionellen Reinigung an die nächstgelegene autorisierte Servicewerkstatt. Führen Sie internen Reinigungsarbeiten (außer dem Reinigen und Waschen des abwaschbaren Filters) nur mit Fachpersonal durch.

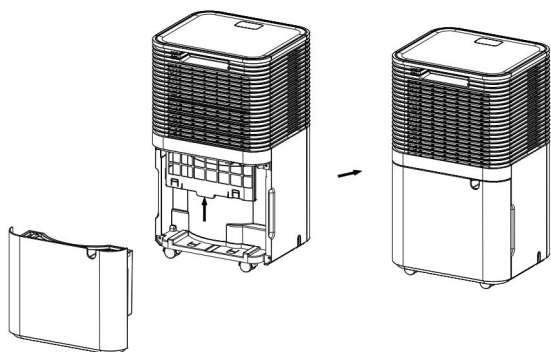
- a) Nehmen Sie die Filterabdeckung ab und entfernen Sie den Filter.



- b) Use a vacuum cleaner to gently absorb the dust on the surface of the filter.  
Verwenden Sie einen Staubsauger, um Staub vorsichtig von der Filteroberfläche zu entfernen.



c) Setzen Sie den Filter wieder hinter das Gerät.



## 7. FEHLERBEHEBUNG

### A. BETRIEBSTEMPERATUR

**5°C ≤ Umgebungstemperatur ≤ 35°C** Wenn die Umgebungstemperatur niedriger oder höher als die Betriebstemperatur ist, stoppt der Luftentfeuchter.

**Wenn 5°C ≤ Temp. der Umgebung ≤ 16°C,** taut der Kompressor in bestimmten Intervallen automatisch ab; Während des Abtauens stoppt der Kompressor und der Lüfter läuft weiter.

### B. BEVOR SIE SICH AN DIE SERVICEWERKSTATT WENDEN

Konsultieren Sie die Liste der möglichen Probleme, die während des Betriebs des Geräts auftreten können und die nicht auf einen Arbeitsmangel oder Materialfehler zurückzuführen sind, bevor Sie sich an das Servicecenter wenden.

Problem	Mögliche Ursachen	Lösung
Das Gerät funktioniert nicht	Es gibt keine Stromzufuhr.	Schließen Sie das Gerät an eine Steckdose an und schalten Sie es ein.
	Die Anzeige "Water Full" (Tank voll) leuchtet.	Leeren Sie den Wasserbehälter und bauen Sie ihn wieder richtig ein.
	Raumtemperatur <5°C oder >35°C	Schutzsystem installiert, um das Gerät zu schützen. Das Gerät kann bei einer solchen Temperatur nicht betrieben werden.

Schadhafter Betrieb	Blockierter Luftfilter?	Reinigen Sie den Luftfilter wie es in dieser Bedienungsanleitung beschrieben wird.
	Ist die Einlass- oder Auslassöffnung blockiert?	Entfernen Sie alles, was die Einlass- oder Auslassöffnung blockiert.
Die Lufteinlassöffnung erlaubt es der Luft nicht durch	Filter blockiert?	Waschen Sie den Filter.
Das Gerät macht während des Betriebs Geräusche	Befindet sich das Gerät auf einer ebenen, waagerechten Fläche?	Stellen Sie das Gerät richtig auf..
	Filter blockiert?	Waschen Sie den Filter.
E2	Probleme mit dem Feuchtigkeitssensor	Tauschen Sie den Sensor aus
LO	Die Luftfeuchtigkeit im Raum ist unter 20% gesunken	Der Luftentfeuchter schaltet sich automatisch aus, um sich selbst zu schützen.
HI	Die Luftfeuchtigkeit im Raum stieg um mehr als 90%	
CL	Schutz bei niedriger Temperatur, wenn die Temp im Zimmer <5°C ist	
CH	Schutz bei hoher Temperatur, wenn die Temp im Zimmer >35°C	

## 8. ENTSORGUNG

### 8.1 LAGERUNG DER EINHEIT

Langfristige Lagerung - Wenn Sie das Gerät für längere Zeit nicht verwenden (mehr als einige Wochen), empfehlen wir ihnen dieses zu reinigen und vollständig zu trocknen. Bitte lagern Sie das Gerät wie folgt:

- a) Drücken Sie den Netzschalter, um das Gerät auszuschalten und vom Stromnetz zu trennen.
- b) Lassen Sie das restliche Wasser aus dem Gerät ab
- c) Reinigen Sie den Filter und lassen Sie ihn an einem lichtfreien Ort vollständig trocknen.
- d) Wickeln Sie das Netzkabel ein.
- e) Setzen Sie den Filter wieder in die richtige Position ein.
- f) Das Gerät muss bei der Lagerung aufrecht stehen.
- g) Bewahren Sie den Luftentfeuchter in einem belüfteten, trockenen und brennstofffreien Raum auf.

**VORSICHT:** Der Verdampfer im inneren des Luftentfeuchters muss vor dem Verpacken trocken sein, um Schäden an den Bauteilen und das Auftreten von Schimmel zu vermeiden. Ziehen Sie den Netzstecker aus der Steckdose und stellen Sie das Gerät tagelang an einen trockenen Ort, um es gut zu trocknen. Eine andere Möglichkeit zum Trocknen des Geräts besteht darin, die Luftfeuchtigkeit auf 5% über der Umgebungsfeuchtigkeit einzustellen und den Lüfter zu zwingen, den Verdampfer mehrere Stunden lang zu trocknen.

## 8.2 ENTSORGUNG



**WARNUNG!!!** Die Freisetzung des Kältemittels in die Atmosphäre ist strengstens untersagt! Entsorgen Sie Elektrogeräte nicht als unsortierten Hausmüll, sondern verwenden Sie getrennte Sammelräume. Informationen zu den in der Region [REDACTED] verfügbaren Sammelsystemen erhalten Sie von Ihrer örtlichen Verwaltungsbehörde. Wenn Elektrogeräte mit dem Hausmüll entsorgt werden, können gefährliche Stoffe in das Grundwasser gelangen und die Nahrungskette erreichen, was die Gesundheit und das Wohlbefinden der Menschen schädigt.

# SMART LIFE – BENUTZERHANDBUCH DER APP



Die „Smart Life“-App ist für Android und iOS verfügbar. Scannen Sie mit Ihrem Smartphone den entsprechenden QR-Code, um direkt zum Download zu gelangen.

## So verwenden Sie die App

Mit diesem Gerät können Sie das Gerät über Ihr WLAN-Heimnetzwerk bedienen. Voraussetzung ist eine dauerhafte WLAN-Verbindung zu Ihrem Router und die kostenlose App „Smart Life“.

Wir empfehlen, das Gerät von der Stromversorgung zu trennen, wenn Sie nicht zu Hause sind, um ein unbeabsichtigtes Einschalten unterwegs zu verhindern!

1. Installieren Sie die „Smart Life“-App. Erstellen Sie ein Benutzerkonto.
2. Aktivieren Sie die WLAN-Funktion in den Einstellungen Ihres Geräts – berühren Sie die TIMER-Taste mindestens 5 Sekunden lang.
3. Stellen Sie das Gerät in einem Abstand von ca. 5 Metern zu Ihrem Router auf.
4. Solange das Gerät eingeschaltet ist, blinkt die WLAN-Anzeige. Nach 3 Minuten wird der Status gelöscht, wenn keine Netzwerkconfiguration vorliegt und die Anzeigeleuchte aus ist. Wenn Sie das WLAN erneut verbinden müssen, halten Sie die „TIMER“-Taste 5 Sekunden lang gedrückt, um die Netzwerkconfiguration zu starten. Die WLAN-Anzeige blinkt erneut.

## WIFI-verbunden

### Methode 1: Verbindung über Bluetooth

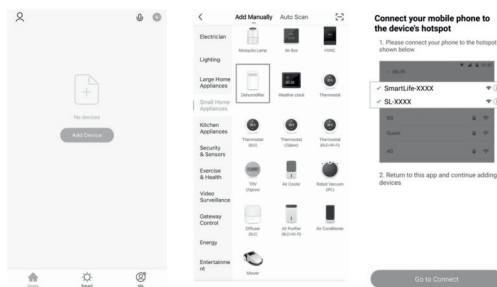
- Öffnen Sie das Bluetooth Ihres Mobiltelefons oder eines anderen Geräts.
- Wenn die WIFI-Anzeige blinkt, öffnen Sie die „Smart Life“-APP und das Gerät stellt automatisch eine Verbindung über Bluetooth her.

### Methode 2

- Wenn die WIFI-Anzeige blinkt, wählen Sie:  
**„Gerät hinzufügen“ – „Kleine Haushaltsgeräte“ – „Luftentfeuchter“**  
und befolgen Sie die Anweisungen in der Smart Life-App. Überprüfen Sie den Status der WIFI-Anzeige und wählen Sie den richtigen Status aus.
- Wenn die WLAN-Anzeige schnell blinkt, kann eine direkte Verbindung hergestellt werden.
- Wenn die WLAN-Anzeige langsam blinkt, drücken Sie „Gehe zu Verbinden“, um eine Verbindung zum WLAN mit dem Namen „SmartLife-XXXX“ herzustellen.

## Bemerkungen

- Sobald das Gerät erfolgreich verbunden wurde, leuchtet die WIFI-Leuchte auf. Nun können Sie das Gerät per App bedienen.
- Halten Sie die Timer-Taste etwa 5 Sekunden lang gedrückt, das Gerät trennt sich und die WLAN-Leuchte erlischt.



## FEHLERBEHEBUNG

Netzwerkverbindung fehlgeschlagen	Lösung
Zeitüberschreitung der Netzwerkverbindung	<ol style="list-style-type: none"><li>1. Überprüfen Sie, ob Sie das WLAN mit dem Namen „SmartLife-XXXX“ ausgewählt haben.</li><li>2. Schalten Sie das Gerät aus und ziehen Sie nach 10 Sekunden den Netzstecker und das Steckernetzteil. Rufen Sie die App auf, um die Verbindung erneut herzustellen.</li></ol>
WIFI-Anzeige aus	Drücken Sie lange die „Timer“-Taste oder schalten Sie das Gerät aus und ziehen Sie nach 10 Sekunden den Netzstecker und das Steckernetzteil.
Der WLAN-Hotspot verschwindet und die WLAN-Leuchte blinkt	Schalten Sie das Gerät aus und ziehen Sie nach 10 Sekunden den Netzstecker und das Steckernetzteil. Rufen Sie die App auf, um die Verbindung erneut herzustellen.



# ES: CONTENIDO

1.	NOCIONES PRELIMINARES	59
2.	INSTRUCCIONES DE SEGURIDAD	60
3.	PRESENTACIÓN DEL PRODUCTO	64
4.	INSTALACIÓN	66
5.	FUNCIONAMIENTO	67
6.	MANTENIMIENTO	71
7.	SOLUCIONAR LOS PROBLEMAS	70
8.	ELIMINACIÓN	71

Gracias por elegir nuestro deshumidificador.

Asegúrese de leer este manual detenidamente antes de utilizar el deshumidificador.

*Por favor lea atentamente este manual para referencias futuras!*

# 1. NOCIONES PRELIMINARES

Por favor lea con atención el manual de utilización antes de poner en función el deshumidificador por primera vez.

## A. DESCRIPCIÓN DEL PRODUCTO

El deshumidificador se utiliza para eliminar el exceso de humedad del aire. La reducción de los niveles de humedad protege los edificios y objetos que se encuentran dentro de ellos de los efectos adversos de la humedad.

El producto R290 es ecológico y se utiliza como refrigerante. R290 no tiene ninguna influencia negativa sobre la capa de ozono (ODP) o efecto invernadero (GWP) y está disponible en todo el mundo. Debido a sus propiedades energéticas eficientes, R290 es muy adecuado como refrigerante en la situación dada. Sin embargo, precauciones especiales se deben tener en cuenta debido al alto nivel de inflamabilidad del refrigerante.

## B. SÍMBOLOS UTILIZADOS EN LA UNIDAD Y EN EL MANUAL



**Advertencia!**

Este dispositivo utiliza refrigerante. Si el refrigerante drena y entra en contacto con una fuente de llama o calentamiento, creará gases nocivos y existe el riesgo de incendio.



Lea atentamente el manual de instrucciones antes de utilización.



Encontrará información adicional en el MANUAL DE UTILIZACIÓN y en el MANUAL DE SERVICIO.



Antes de poner el dispositivo en funcionamiento, las personas que efectúan las operaciones de servicio deben leer atentamente el MANUAL DE UTILIZACIÓN y el MANUAL DE SERVICIO.

### C. SIEMPRE PRESTE ATENCIÓN A LA SIGUIENTE INFORMACIÓN

- Este dispositivo está destinado tanto a usuarios expertos o capacitados en tiendas, industria ligera y granjas, como también a usuarios domésticos.
- Este dispositivo puede ser utilizado por niños mayores de 8 años y personas con capacidades físicas, sensoriales o mentales reducidas o falta de experiencia y conocimientos, siempre que estén bajo la supervisión de personas adultas responsables por su seguridad o cuando reciben instrucciones acerca de cómo se debe utilizar la unidad.
- Este dispositivo no es un juguete. Los niños menores de tres años deben ser supervisados continuamente y mantenidos alejados de éste.
- La limpieza y el mantenimiento del dispositivo no deben ser realizados por niños.
- La unidad está diseñada únicamente para ser utilizada con gas R290 (propano) como refrigerante designado.
- El circuito de refrigeración está sellado. Sólo las personas cualificadas pueden realizar reparaciones en el circuito de refrigeración.
- No descargue el refrigerante en la atmósfera.
- R290 (propano) es inflamable y pesa más que el aire.
- R290 se puede identificar al nivel del suelo, pero también puede ser distribuido por un ventilador.
- Si sospecha la presencia de gas propano, no permita que personas no calificadas intenten reparar la planta.
- El gas propano utilizado en la planta de este dispositivo es inodoro.
- La falta de olor no indica la falta de gases evacuados.
- Si se detecta una fuga, evacúe inmediatamente a todas las personas de la zona, ventile la habitación y póngase en contacto con los bomberos para notificarles de la fuga de propano.
- No permita que nadie regrese a la habitación antes de que llegue el técnico y antes de tener su recomendación acerca de la seguridad de volver a la zona afectada.
- No se debe utilizar llamas abiertas, cigarrillos u otras posibles fuentes de ignición en el interior o en las proximidades del dispositivo.
- Los componentes están diseñados específicamente para ser utilizados con gas propano. Los componentes se sustituyen únicamente por piezas de repuesto idénticas.

**NO RESPETAR LAS INSTRUCCIONES DE SEGURIDAD PUEDE AUMENTAR EL RIESGO DE EXPLOSIONES, MUERTE, LESIONES Y DAÑOS MATERIALES.**

## 2. INSTRUCCIONES DE SEGURIDAD

**Su seguridad es lo más importante para nosotros**



**Lea atentamente este manual antes de usar el deshumidificador.**

## A. ADVERTENCIAS SOBRE EL FUNCIONAMIENTO DEL DISPOSITIVO

### **Advertencias: sobre el riesgo de incendio, electrochoques, lesiones a personas o daños materiales.**

- Si el cable de alimentación está dañado, debe ser reemplazado por el fabricante, su agente de servicio o por personas calificadas para evitar un peligro.
- El nivel de presión acústica ponderada A está por debajo de 36 dB.
- Durante las operaciones de mantenimiento, debe desconectar el dispositivo de la fuente de alimentación.
- Conecte siempre el dispositivo a una fuente de alimentación, frecuencia y potencia correspondientes a las indicadas en la placa de identificación del producto.
- Utilice siempre un enchufe con toma de tierra.
- Desconecte el cable de alimentación cuando limpie el dispositivo o cuando no esté en uso.
- No utilice el dispositivo con las manos mojadas. No deje que el agua se derrame sobre la unidad.
- No sumerja el dispositivo en agua ni lo exponga a lluvia, humedad o cualquier otra fuente líquida.
- No deje el dispositivo desatendido cuando funcione. No lo incline ni lo ponga boca abajo.
- No desconecte el dispositivo durante el funcionamiento.
- No desconecte arrastrando el cable de alimentación.
- No utilice un cable de extensión ni un adaptador.
- No coloque objetos sobre el dispositivo.
- No suba ni se sienta sobre el dispositivo.
- No inserte los dedos u otros objetos en la salida de aire.
- No toque la salida de aire ni las ranuras de aluminio del dispositivo.
- No utilice el dispositivo si ha caído, está dañado o muestra signos de mal funcionamiento.
- No limpie el dispositivo con productos químicos.
- Asegúrese de que el dispositivo esté alejado del fuego, de objetos inflamables o explosivos.
- El dispositivo debe ser instalado de acuerdo con la normativa nacional acerca de los sistemas de cableado.
- No utilice otros medios para acelerar el proceso de descongelación o limpieza que no sean los recomendados por el fabricante.
- El dispositivo debe almacenarse en una habitación sin dispositivos que funcionen continuamente (por ejemplo: llama abierta, dispositivo de gas o calentador eléctrico).
- El dispositivo debe almacenarse de manera que se evite su deterioro.
- No desmonte ni deseche el dispositivo en fuego, incluso después de su uso.
- Tenga en cuenta que los agentes de refrigeración son inodoros.
- Las tuberías del dispositivo se deben proteger en contra de daños físicos y no deben ser instalados en un espacio no ventilado si este espacio es inferior a 4m<sup>2</sup>.
- Respete la normativa nacional sobre los gases.

- Mantenga los conductos de ventilación libres de obstáculos.
- El dispositivo se debe almacenar en una zona bien ventilada en la que el tamaño de la habitación corresponda a las condiciones especificadas para un funcionamiento adecuado



Toda persona que trabaje con un circuito de refrigeración deberá poseer un certificado válido expedido por una autoridad de evaluación acreditada en el campo que autorice su competencia para manipular los refrigerantes en condiciones seguras, de acuerdo con las especificaciones reconocidas en esa industria.

Las reparaciones de la instalación deben llevarse a cabo únicamente de acuerdo con las recomendaciones del fabricante. El mantenimiento y las reparaciones requieren la asistencia de personal cualificado y se llevarán a cabo bajo la supervisión de una persona competente en el uso de refrigerantes inflamables. Si hay algunos aspectos que no entienda o si necesita ayuda, póngase en contacto con los servicios del distribuidor autorizado.

## B. PRECAUCIONES DE SEGURIDAD EN REPARACIONES

Tenga en cuenta estas advertencias antes de realizar operaciones de mantenimiento en un deshumidificador con R290.

### i. Controles en la proximidad del dispositivo

Prior to beginning work on systems containing flammable refrigerants, safety checks are necessary to ensure that the risk of ignition is minimized. For repair to the refrigerating system, the following precautions shall be complied with prior to conducting work on the system.

### ii. Procedimiento de trabajo

Los trabajos se llevarán a cabo con arreglo a un procedimiento controlado para minimizar el riesgo de aparición de gas o vapores inflamables durante el trabajo.

### iii. Zona de trabajo

Todo el personal de mantenimiento y otras personas que trabajan en la proximidad deben estar capacitados sobre la naturaleza del trabajo realizado. Se evitará el trabajo en espacios cerrados. Se demarca la zona del espacio de trabajo. Asegúrese de que los espacios de la zona han sido asegurados mediante el control de materiales inflamables.

### iv. COMPROBAR LA PRESENCIA DEL REFRIGERANTE

La zona debe ser revisada con un detector de refrigerantes adecuado antes y durante el trabajo para garantizar la presencia de materiales potencialmente inflamables. Asegúrese de que el equipo de detección de fugas utilizado es adecuado para identificar los refrigerantes inflamables, que no produce chispas y está debidamente sellado.

#### v. PRESENCIA DEL EXTINTOR DE INCENDIOS

Cuando se realicen trabajos en caliente en el equipo de refrigeración o en cualquier pieza asociada a éste, hay que tener disponible un equipo adecuado de extinción de incendios. Asegúrese de tener en proximidad extintores a base de polvo seco o de CO<sub>2</sub>.

#### vi. Sin fuentes de ignición

Ninguna persona que realice obras dentro de un sistema de refrigeración y que implique la exposición a un refrigerante inflamable no utilizará fuentes de ignición de manera que se evite el riesgo de incendio o explosión. Todas las posibles fuentes de ignición, incluido fumar, se deben mantener lo suficientemente alejadas del lugar de instalación, reparación, desmontaje y eliminación, donde se pueda liberar el refrigerante inflamable. Antes de realizar las obras, se debe comprobar la zona alrededor de la instalación para asegurarse de que no hay productos inflamables o riesgos de ignición. Se utilizará la placa "Prohibido fumar".

#### vii. Zona ventilada

Asegúrese de que la zona de trabajo esté bien ventilada antes de comenzar a trabajar en la instalación o realizar trabajos en caliente. La ventilación debe dispersar de forma segura cualquier refrigerante emanado y, preferiblemente, expulsarlo externamente en la atmósfera.

#### viii. Controles en la instalación con refrigerante

Si se cambian los componentes eléctricos, éstos deben ser adecuados al propósito y seguir las especificaciones correctas. Las instrucciones del fabricante sobre las operaciones de mantenimiento y servicio deben seguirse a toda hora. En caso de duda, consulte al departamento técnico del fabricante para asistencia.

Los siguientes controles se aplicarán a las instalaciones que utilicen refrigerantes inflamables:

- El tamaño de la carga es coherente con el tamaño de la habitación en la que se instalan los componentes que contienen el refrigerante;
- Los dispositivos y los conductos de ventilación funcionan correctamente y no están obstruidos;
- Cuando se utilice un circuito indirecto de refrigeración, se deberá comprobar la presencia del refrigerante en el circuito secundario;
- Las marcas del equipo de trabajo serán visibles y legibles. Cualquier marca y signo que sea ilegible será corregido;
- la planta que contiene el refrigerante o sus componentes se colocará de tal manera que no puedan exponerse a ninguna sustancia corrosiva, a menos que los componentes están hechos de materiales que son inherentemente resistentes a corrosión o están adecuadamente protegidos.

#### ix. Controles de los dispositivos eléctricos

La reparación y el mantenimiento de los componentes eléctricos incluirán controles de seguridad iniciales y procedimientos de inspección de los componentes. Si hay un mal

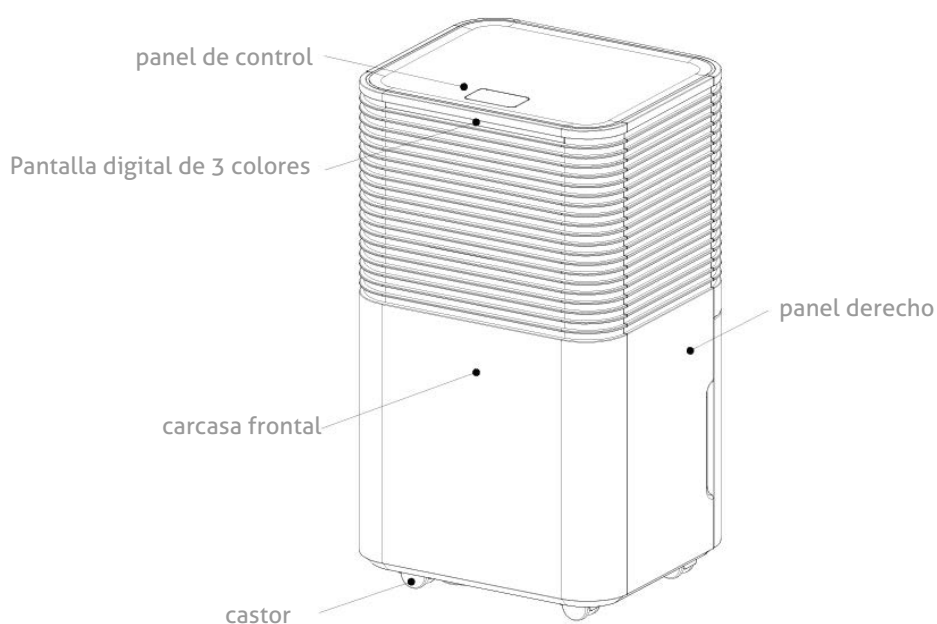
funcionamiento que podría comprometer la seguridad, el dispositivo no se conectará a corriente hasta que el defecto se resuelva satisfactoriamente. Si el defecto no se puede corregir inmediatamente, pero es necesario continuar el funcionamiento, se utilizará una solución temporal adecuada. El propietario del equipo será informado de esto para que todas las partes tomen cuenta de esta situación.

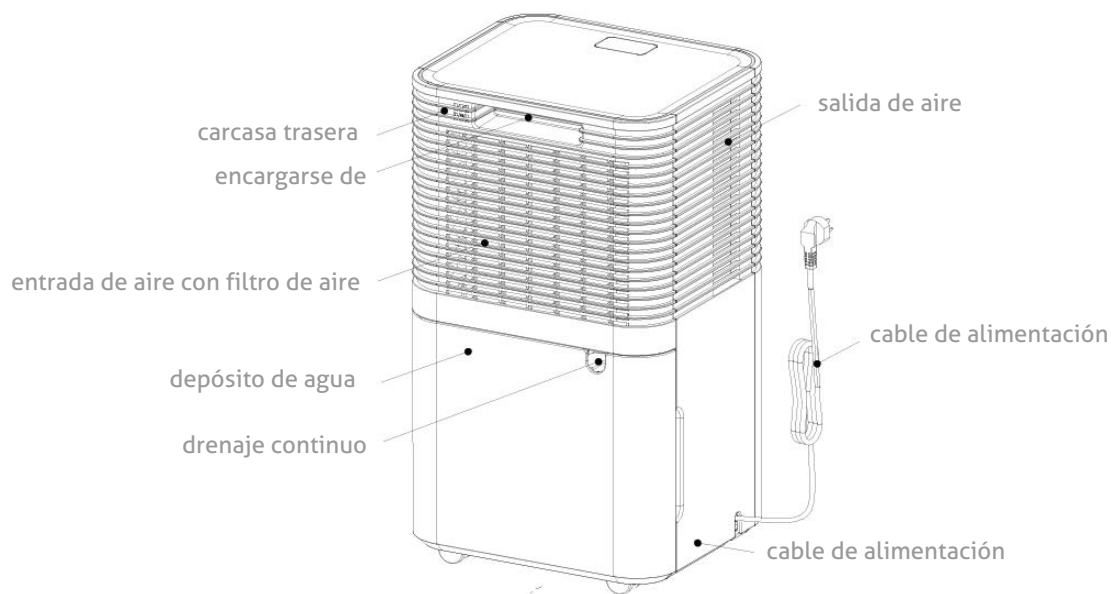
**Los controles de seguridad iniciales se llevarán a cabo cuando:**

- los condensadores estén descargados: esto debe hacerse de forma segura para evitar que surjan chispas;
- los componentes y cables eléctricos no están bajo tensión y durante la carga, recuperación o drenaje del sistema;
- hay una continuidad de la puesta a tierra

### 3. PRESENTACIÓN DEL PRODUCTO

#### A. VISTA FRONTAL Y TRASERA





## B. CARACTERÍSTICAS

- Poderful Eliminación eficaz de la humedad
- Supervisa y muestra la humedad actual en el aire
- El modo automáticamente ajusta el nivel de humedad
- Temporizador con un intervalo de 24 horas para ajustar el tiempo de funcionamiento
- Elimina eficazmente la humedad y el polvo del aire
- Baja consume energético, eficiencia energética
- El ventilador es silencioso y tiene dos marchas de velocidad
- Descongelación automática en caso de funcionamiento a temperatura baja
- Apagado automático/reinicio automático
- Control Electrónico
- Modo de drenaje continuo
- Tanque de agua de 2L

## C. ESPECIFICACIONES TÉCNICAS

MODELO	<b>EPI 12/ 12 wifi</b>
Capacidad de deshumidificación	<b>12L/Dia (30°C, 80%)</b>
Podor	<b>AC220-240V/50Hz</b>
Consumo	<b>200W/1.2A</b>
Noise	<b>≤38dB(A)</b>



Nivel del ruido	<b>2.0L</b>
Capacidad máxima de refrigerante	<b>R290/50g</b>
Peso neto	<b>10kg</b>
Máxima presión de diseño	<b>Alta: 3.2MPa Baja:0.7MPa</b>
Tamaño mínimo de la habitación	<b>4 m<sup>2</sup> (superficie del suelo)</b>
Dimensiones	<b>255x220x445 mm</b>
Tipo de seguridad y clasificación:	<b>T-Type, AC 250V, 3.15A</b>

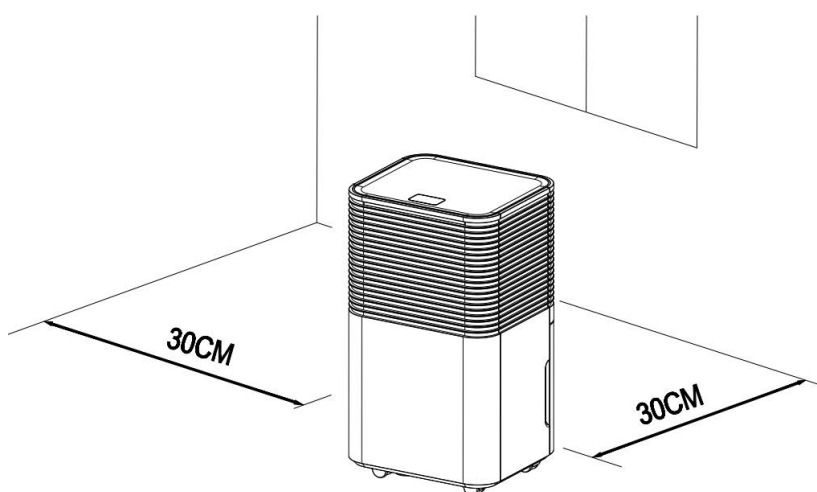
## 4. INSTALACIÓN

### A. UBICACIÓN DEL DESHUMIDIFICADOR

Coloque la unidad sobre una superficie plana y estable y mantenga al menos 30 cm de espacio libre a su alrededor para permitir una circulación de aire adecuada.

#### **Nunca instale la unidad:**

- Cerca de fuentes de calor como calefactores, radiadores, estufas u otros dispositivos que producen calor.
- En una zona donde se puede salpicar aceite o agua
- En la luz directa del sol
- En una zona con vibraciones o choques mecánicos
- En una zona con exceso de polvo
- En una zona no ventilada, como el armario o la biblioteca
- En una superficie desigual





### ATENCIÓN

Instale la unidad en habitaciones superiores a 4 m<sup>2</sup>.  
No instale la unidad en un lugar donde pueda haber fugas de gas inflamable.



### NOTA

El fabricante puede proporcionar otro ejemplo apropiado o proporcionar información adicional sobre el olor del refrigerante.

## B. USO SEGURO DEL DISPOSITIVO

- Después de desempacar, compruebe si hay daños o arañazos en la unidad.
- Utilice esta unidad a una temperatura ambiental entre 5 ° C y 35 ° C.
- No utilice el deshumidificador en el exterior. Este deshumidificador está diseñado únicamente para ser utilizado en espacios residenciales.
- No utilice el deshumidificador cerca de paredes, cortinas u otros objetos que puedan bloquear la entrada y evacuación del aire.
- Mantenga libres de obstáculos los orificios de admisión y evacuación del aire.
- Si se inclinó en un ángulo superior a 45º, deje que la unidad se ponga en posición vertical durante al menos 24 horas antes de arrancar.
- Mantenga las puertas y las ventanas cerradas para una mejor eficiencia del deshumidificador.
- No utilice ni almacene la unidad bajo la luz solar directa o bajo la lluvia.
- Es normal que la salida de aire se caliente después de un funcionamiento continuo en días cálidos.
- Vacíe el depósito de agua antes de mover el deshumidificador.
- Asegúrese de que el tanque de agua esté montado correctamente, de lo contrario la unidad no funciona adecuadamente.
- El deshumidificador arranca en el modo seleccionado durante el último uso.
- El deshumidificador comienza a deshumidificar el aire en la habitación si la humedad es 3% mayor que el valor seleccionado.
- El compresor está equipado con un sistema de protección que retrasa el arranque por 3 minutos. Por lo tanto, tendrá que esperar por 3 minutos para que el deshumidificador reanude el proceso de deshumidificación.

## 5. FUNCIONAMIENTO

A. Indicador de humedad con LED en 3 colores situado en la parte frontal

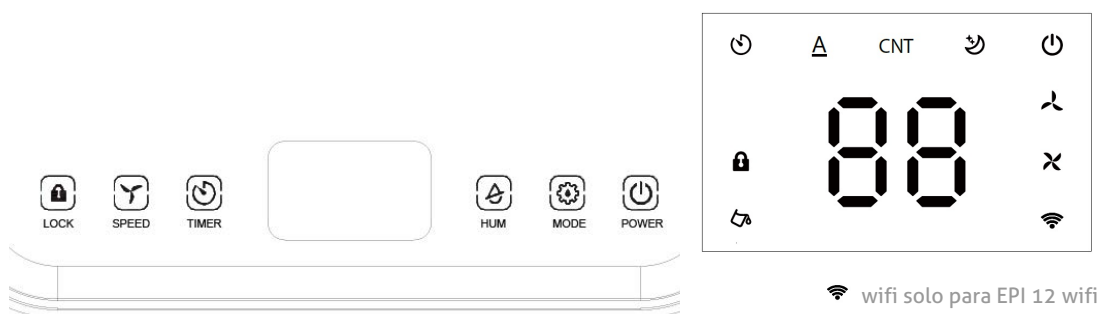
**Indicador de luz azul** – la humedad en la habitación es menor a 45%

**Indicador de luz verde** – la humedad en la habitación es entre 45% y 65%

**Indicador de luz roja** – la humedad en la habitación es superior a 65%

Si la pantalla LED E0、E2、CL、CH、LO、HI, la luz se mostrará roja.

## B. Panel de control



### **BOTÓN DE ARRANQUE (POWER)**

Después de la puesta en marcha, todos los indicadores y la pantalla se encienden por 1 segundo, luego se apagan. Después del pitido, el indicador que corresponde a la alimentación se enciende y el equipo entra en el modo de espera.

Pulse de nuevo este botón y la unidad arrancará con los siguientes valores implícitos: humedad inicial 60% RH, modo de funcionamiento automático y nivel elevado del ventilador. Pulse de nuevo el botón y la unidad y el ventilador se apagarán.

### **MODOS DE FUNCIONAMIENTO (MODE)**

Modo automático - Modo de secado continuo - Ciclo de modo de sueño, presione una vez para cambiar el modo de uno a otro, el indicador correspondiente se ilumina.

- Modo automático: cuando la humedad de la habitación es  $\geq$  que la humedad configurada + 3%, el ventilador arranca y el compresor empieza a funcionar después de 3 segundos. Cuando la humedad de la habitación es  $\leq$  que la humedad configurada -3%, el compresor se apaga y también el ventilador después de unos 30 segundos de retraso. Tanto la velocidad del ventilador, cuanto la humedad se pueden ajustar en el modo Auto (automático).
- Modo de deshumidificación continua: La unidad sigue funcionando, pero la humedad no puede ser ajustada.
- Modo de reposo (Sleep): pulse el botón SLEEP y el indicador correspondiente se encenderá y activará la función de reposo. Si el panel de control no se opera durante un período de 10 segundos, todos los indicadores disminuirán la intensidad de la luz y la velocidad del ventilador cambiará a un nivel más bajo. Pulse cualquier botón para volver a encender el indicador LED del modo de reposo. Pulse de nuevo el botón MODE para salir del modo de reposo (Sleep). En el modo de reposo (Sleep) el código implícito no se puede visualizar y la velocidad del ventilador y la humedad no se pueden ajustar



### **TEMPORIZADOR - TIMER**

Use este botón para configurar el temporizador de 0 a 12 horas. El intervalo de configuración es de 1 hora. Cada vez que pulse este botón, el valor incrementará con una hora y aparecerá en la pantalla. Para cancelar la función escoja el valor "00". El indicador correspondiente del temporizador se encenderá. Después de haberlo configurado, la luz equivalente permanecerá encendida durante todo el período seleccionado. Una vez con la conclusión del intervalo, la luz correspondiente se apagará automáticamente.

En el modo de funcionamiento, configure el temporizador para apagar la unidad;

En el modo de espera, configure el temporizador para poner en marcha la unidad.



### **AJUSTE DE LA HUMEDAD**

En el modo automático o en el modo de reposo (SLEEP), pulse este botón para configurar el nivel de humedad que quiere. El intervalo de ajuste de humedad (paso a paso) es de 30% - 35% - 40% - 45% - 50% - 55% - 60% - 65% -70% - 75% - 80%.

Mantenga presionado este botón y las luces mostrarán la temperatura ambiente actual.



### **VELOCIDAD DEL VENTILADOR (SPEED)**

La velocidad del ventilador puede ser ajustada solo en el modo automático.

Pulse el botón una vez para cambiar de alta a baja velocidad y la luz correspondiente se encenderá.



### **FUNCIÓN DE PROTECCIÓN DE LOS NIÑOS (LOCK)**

Mantenga presionado el botón para activar/desactivar la función de protección infantil. La luz correspondiente se encenderá. Todas las funciones quedaran bloqueadas y no se podrán activar. Presione de nuevo el botón, la luz se apagará y las funciones se volverán a activar. Después de apagar el equipo, la función de protección infantil se desactivará.

#### **A. Drenaje**

Hay dos formas de eliminar el agua recogida producida por la unidad.

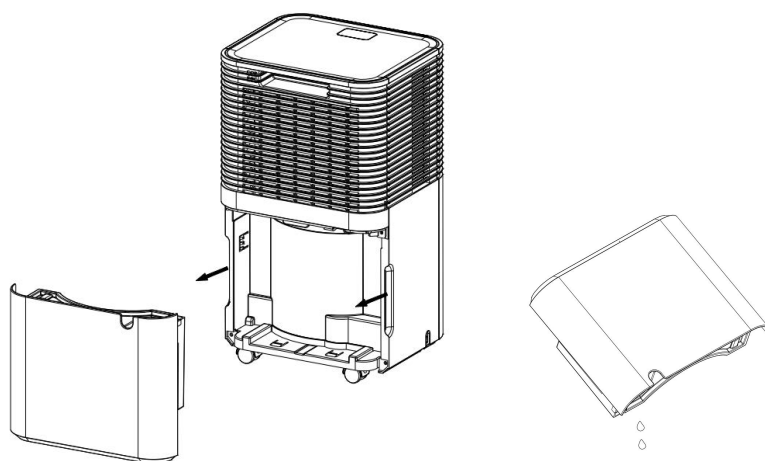
a. Drenaje manual: El depósito de agua, retirado y vaciado manualmente.

b. Drenaje continuo: Fijar al dispositivo una manguera de drenaje gravitacional del agua que resulte de la condensación.

## B. Vaciar el tanque

Cuando el tanque está lleno, la unidad emitirá un zumbido y se encenderá la luz "Agua llena".

- Pulse el botón POWER para apagar el equipo.
- Tire hacia afuera la cubeta de agua y ésta se desprenderá del deshumidificador.
- Vacíe el agua de la cubeta.
- Limpie el interior de la cubeta y, si es necesario, también el exterior.
- Vuelva a colocar la cubeta vacía dentro del equipo.
- Pulse el botón POWER para reanudar la operación del dispositivo.
- Si el indicador de la cubeta llena sigue encendido, verifique si el flotador de la cubeta está en la posición correcta y no quedó bloqueado en otra posición.

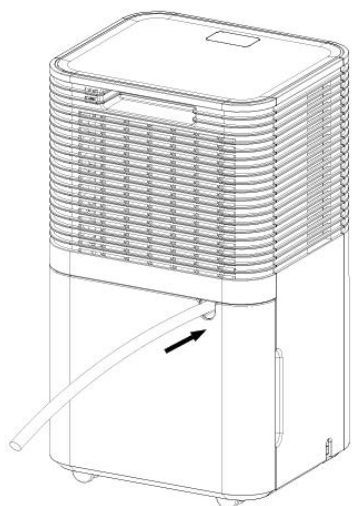


### ADVERTENCIA

- No tire los imanes de la cubeta de agua y los remaches de plástico. En caso contrario el equipo no se apagará automáticamente si la cubeta está llena y el agua condensada se derramará y dañará el suelo de la habitación.
- Por favor asegúrese de que ha limpiado el agua condensada de la cubeta de agua antes de volver a configurar el modo de funcionamiento de la unidad.
- Si la cubeta está sucia, enjuáguela con agua limpia. Evite el uso de detergentes, bolas de acero, productos químicos para quitar el polvo, gasóleo, benceno, diluyentes u otros solventes. En caso contrario, la cubeta de agua se dañará y se producirán fugas.
- Vuelva a colocar la cubeta vacía dentro del equipo. En caso contrario, el indicador "Water Full" (Cubeta Llena) permanecerá rojo y el equipo no se reiniciará.

## C. Drenaje continuo

Para una operación continua o deshumidificación desatendida, conecte la manguera de drenaje conectada a la unidad. El agua condensada puede fluir automáticamente a un balde o desagüe por gravedad. 1. Enderezar el tubo de drenaje 2. Insertar un extremo del desagüe en el desagüe en el orificio de la cisterna y conectar el otro extremo al baño, al exterior o al contenedor tipo balde, o al área de drenaje prescrita.



Orificio de drenaje continuo

- Por favor no obstruya la manguera de drenaje o el drenaje, de lo contrario el agua condensada se derramará en la cubeta de agua.
- Por favor asegúrese que no haya dobleces en la manguera de drenaje. Ésta debe estar colocada en pendiente hacia abajo.
- La manguera de drenaje debe estar conectada en el desagüe de manera que pueda evitar derrames en el suelo.

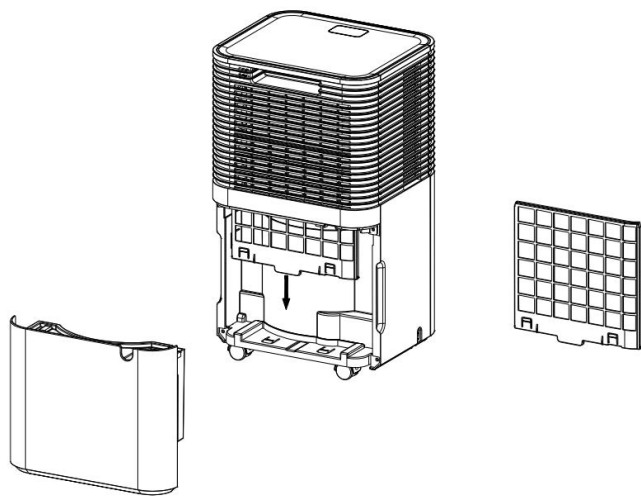
## 6. MANTENIMIENTO

### LIMPIAR EL FILTRO DE AIRE

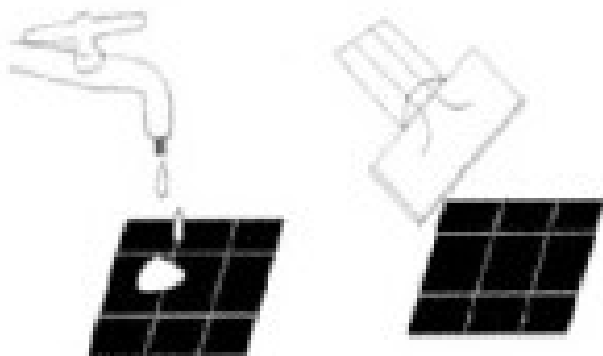
Limpiar el filtro al menos una vez cada dos semanas o cuando sea necesario. Las impurezas acumuladas en un filtro sin limpiar pueden ser absorbidas por el ventilador mediante la fijación en el vaporizador, en el condensar y en otros componentes dentro de la unidad, lo que conduce a una disminución en el rendimiento y la ocurrencia de diversas fallas que no son, en este caso, no se sujetan a la garantía.

Si se encuentran depósitos de impurezas dentro de la unidad, póngase en contacto con el servicio autorizado más cercano para una limpieza profesional. No realice operaciones de limpieza interna (excepto limpiar y lavar el filtro lavable) salvo en presencia de personal especializado.

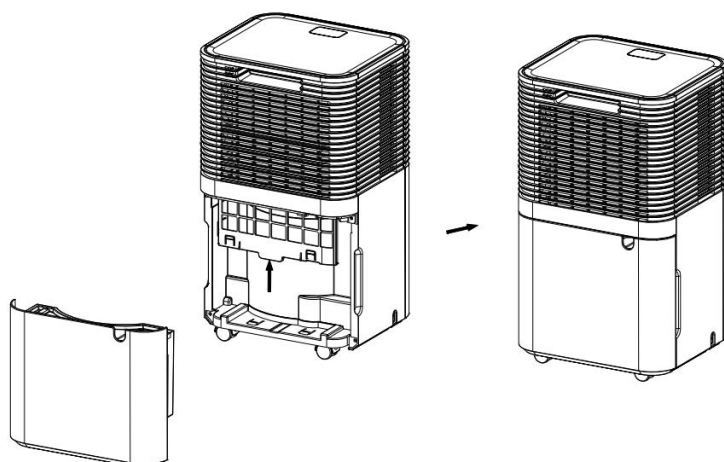
- a) Quite la rejilla del filtro y quite el filtro.



- b) Utilice una aspiradora para eliminar suavemente el polvo de la superficie del filtro. Si el filtro está muy sucio, lávelo con agua y detergente y séquelo bien después.



c) Reemplace el filtro en su lugar detrás del dispositivo.



## 7. SOLUCIONAR LOS PROBLEMAS

### A. TEMPERATURA DE FUNCIONAMIENTO

**5°C ≤ Temp. ambiental ≤ 35°C** Cuando la temperatura ambiental es menor o superior a la temperatura de funcionamiento, el deshumidificador se apaga.

**Cuando 5°C ≤ Temp. ambiental. ≤ 16°C**, el compresor se descongela automáticamente a ciertos intervalos; durante la descongelación, el compresor se apaga y el ventilador sigue funcionando.

### B. ANTES DE SOLICITAR EL SERVICIO

Antes de ponerse en contacto con el centro de servicio, consulte la lista de posibles problemas que pueden producirse durante el funcionamiento de la unidad y que no son el resultado de un defecto de labor manual o de los materiales utilizados.

Problema	Causas posibles	Solución
El dispositivo no funciona	NO hay poder	Conecte el dispositivo a una toma de corriente y enciéndalo
	El indicador "Water Full" (Tanque lleno) está encendido	Vacíe el tanque de agua y reemplácelo en el lugar correcto.
	Temperatura de la habitación <5°C or >35°C	Sistema de protección instalado para proteger la unidad. La unidad no puede funcionar a este tipo de temperatura.
Funcionamiento defectuoso	Está bloqueado el filtro de aire?	Limpie el filtro de aire como se explica en este manual
	Está bloqueado el orificio de entrada o de evacuación?	Retire cualquier cosa que obstruya el orificio de entrada o de evacuación.



El orificio de entrada de aire no permite que el aire pase	Está bloqueado el filtro?	Lave el filtro
La unidad hace ruidos durante el funcionamiento	La unidad está colocada sobre una superficie horizontal y plana?	Coloque la unidad apropiada
	Está bloqueado el filtro?	Lave el filtro
E2	Problemas con el sensor de humedad	Coloque la unidad apropiada
LO	El nivel de humedad en la habitación ha disminuido bajo 20%	El deshumidificador se detiene automáticamente para protegerse
HI	El nivel de humedad en la habitación ha excedido 90%	
CL	Protección a baja temperatura, cuando la temperatura de la habitación es de <5°C	
CH	Protección a temperatura alta, cuando la temperatura de la habitación es de >35°C	

## 8. ELIMINACIÓN

### 8.1 ALMACENAMIENTO DE LA UNIDAD

Almacenamiento a largo plazo - Si no va a utilizar la unidad durante mucho tiempo (más de unas semanas), le recomendamos que la limpie y seque por completo. Guarde la unidad siguiendo estos pasos:

- a) Pulse el botón de alimentación para apagar la unidad y desconectarla de la toma de corriente.
- b) Escurra el agua restante en la unidad
- c) Limpie el filtro y déjelo secar completamente en una zona sin luz.
- d) Envuelva el cable de alimentación.
- e) Vuelva a instalar el filtro en la posición correcta.
- f) La unidad debe mantenerse en posición vertical cuando se almacena.
- g) Mantenga el deshumidificador en una habitación ventilada, seca, sin combustibles.

**ATENCIÓN:** El evaporador dentro del deshumidificador debe secarse antes de su embalaje

para evitar dañar los componentes y la apariencia de moho. Desconecte la unidad y colóquela en un espacio abierto y seco durante días para que se seque a fondo. Otra forma de secar la unidad es ajustar el nivel de humedad a 5% por encima de la humedad ambiental, para forzar el ventilador a secar el evaporador durante varias horas.

## 8.2 ELIMINACIÓN



**¡ADVERTENCIA!** Está estrictamente prohibido dejar que el refrigerante emane en la atmósfera!

No deseche los dispositivos eléctricos como residuos municipales no clasificados, y utilice los espacios de recogida separados. Póngase en contacto con su administración local para obtener información sobre los sistemas de recolección disponibles en la zona. Si los dispositivos eléctricos se descartan junto con la basura doméstica, las sustancias peligrosas pueden infiltrarse en las aguas subterráneas y pueden llegar en la cadena alimenticia, dañando la salud y el bienestar de las personas.

# SMART LIFE - MANUAL DE USUARIO DE LA APLICACIÓN



La aplicación "Smart Life" está disponible para Android e iOS. Escanee con su teléfono inteligente el código QR correspondiente para acceder directamente a la descarga.

## Cómo utilizar la aplicación

Este aparato le permite operarlo a través de su red doméstica WIFI. Un requisito previo es una conexión WIFI permanente a su enrutador y la aplicación gratuita "Smart Life".

¡Recomendamos desconectar el aparato de la fuente de alimentación cuando esté fuera de casa para evitar un encendido involuntario mientras está de viaje!

1. Instale la aplicación "Smart Life". Crea una cuenta de usuario.
2. Active la función WIFI en la configuración de su electrodoméstico: toque el botón TIMER durante al menos 5 segundos.
3. Coloque el aparato a una distancia de unos 5 metros de su enrutador.
4. Mientras la alimentación esté encendida, el indicador WIFI parpadea. Después de 3 minutos, el estado se cancelará si no hay configuración de red y la luz indicadora está apagada. Si necesita volver a conectar el WIFI, toque prolongadamente el botón "TIMER" durante 5 segundos para iniciar la configuración de la red, el indicador WIFI parpadea nuevamente.

### Wi-Fi conectado

#### Método 1 conectado a través de Bluetooth

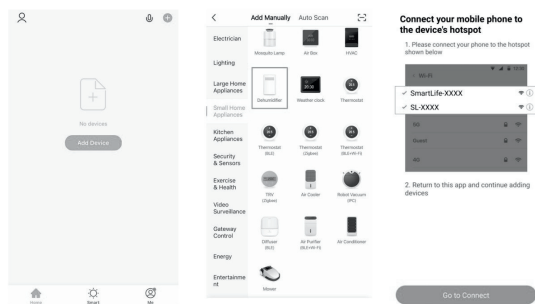
- Abra el Bluetooth de su teléfono móvil u otro dispositivo.
- Cuando el indicador WIFI parpadee, abra la APLICACIÓN "Smart Life" y la unidad se conectará mediante Bluetooth automáticamente.

#### Método 2

- Cuando el indicador WIFI parpadee, seleccione: **"Agregar dispositivo"- "Pequeños electrodomésticos"- "Deshumidificador"** y siga las instrucciones de la aplicación Smart Life. Verifique el estado del indicador WIFI y elija el estado correcto.
- Si el indicador WIFI parpadea rápidamente, se puede conectar directamente.
- Si el indicador WIFI parpadea lentamente, presione "Ir a conectar" para conectar el WIFI llamado "SmartLife-XXXX".

### Observaciones

- Una vez que el aparato se ha conectado correctamente, la lámpara WIFI se enciende. Ahora puede operar el aparato usando la aplicación.
- Mantenga presionado el botón Temporizador durante unos 5 segundos, el aparato se desconecta y la lámpara WIFI se apaga.



## SOLUCIÓN DE PROBLEMAS

### La conexión de red falló

### Solución

Tiempo de espera de conexión de red

1. Compruebe si selecciona el WIFI llamado "SmartLife-XXXX".
2. Apague la máquina y desconecte el código de alimentación y el complemento después de 10 segundos, ingrese a la aplicación para conectarse nuevamente.

Indicador WIFI apagado

Mantenga presionado el botón "Temporizador" o apague la máquina y desconecte el código de alimentación y el enchufe después de 10 segundos.

El punto de acceso WIFI desaparece y la luz WIFI parpadea

Apague la máquina y desconecte el código de alimentación y el complemento después de 10 segundos, ingrese a la aplicación para conectarse nuevamente.

# FR: TABLE DES MATIÈRES

1.	NOTIONS PRELIMINAIRES	78
2.	INSTRUCTIONS DE SÉCURITÉ	79
3.	PRESENTATION DU PRODUIT	83
4.	INSTALLATION	85
5.	FONCTIONNEMENT	86
6.	ENTRETIEN	90
7.	DÉPANNAGE	92
8.	ELIMINATION	93
9.	SMART LIFE - MANUEL D'UTILISATION DE L'APPLICATION	95

Merci d'avoir choisi notre déshumidificateur.

Assurez-vous à lire attentivement ce manuel avant d'utiliser le déshumidificateur

*Veillez conserver ce manuel avec soin pour future référence!*

# 1. NOTIONS PRELIMINAIRES

Nous vous prions lire attentivement les instructions d'utilisation avant de démarrer le déshumidificateur pour la première fois.

## A. DESCRIPTION DU PRODUIT

Le déshumidificateur est utilisé pour éliminer l'excès d'humidité de l'air. L'abaissement du niveau d'humidité protège les bâtiments et les objets se trouvant à l'intérieur des effets néfastes de l'humidité.

Le produit R290 est écologique et utilisé comme réfrigérant. Le R290 n'a pas d'influence négative sur la couche d'ozone (ODP) ou effet de serre (GWP) et il est disponible au niveau mondial. En raison de ses propriétés énergétiques efficaces, le R290 convient très bien comme agent de refroidissement dans cette situation. Cependant, des précautions spéciales doivent être prises en compte en raison du niveau élevé d'inflammabilité du réfrigérant.

## B. SYMBOLES UTILISÉS SUR L'UNITÉ ET DANS LE MANUEL



Cet appareil utilise du réfrigérant. Si le réfrigérant fuit et entre en contact avec une source de flamme ou de chaleur, il va créer des gaz nocifs et il y a un risque d'incendie.

### AVERTISSEMENT



Lisez attentivement le manuel d'instructions avant d'utilisation.



Des informations complémentaires sont disponibles dans le MANUEL D'UTILISATEUR et le MANUEL DE SERVICE.



Avant de mettre en service l'appareil, les personnes chargées des opérations de maintenance doivent lire attentivement le MANUEL D'UTILISATEUR et le MANUEL DE MAINTENANCE.

## C. DONNEZ TOUT LE TEMPS L'ATTENTION AUX INFORMATIONS CI-DESSOUS

- Cet appareil est destiné aux utilisateurs experts et formés des magasins, d'industrie légère, des exploitations agricoles et aux utilisateurs domestiques.
- Ce dispositif peut être utilisé par des enfants de plus de 8 ans et des personnes ayant des capacités physiques, sensorielles ou mentales réduites ou un manque d'expérience et de connaissances, à condition qu'ils soient sous la surveillance de personnes adultes

responsables de leur sécurité ou s'ils reçoivent des instructions en ce qui concerne comment l'unité devrait être utilisée.

- Cet appareil n'est pas un jouet. Les enfants de moins de trois ans doivent être surveillés en permanence et tenus à l'écart de celui-ci.
- Le nettoyage et la maintenance de l'appareil ne doivent pas être effectués par des enfants.
- L'unité est conçue uniquement pour être utilisée avec le gaz R290 (propane) en tant que réfrigérant désigné.
- Le circuit de refroidissement est scellé. Seulement des personnes qualifiées peuvent effectuer des réparations sur le circuit de refroidissement.
- Ne pas rejeter le réfrigérant dans l'atmosphère.
- R290 (propane) est inflammable et plus lourd que l'air.
- R290 peut être identifié au niveau du sol, mais peut également être distribué par un ventilateur.
- Si vous soupçonnez la présence de gaz propane, ne permettez pas à des personnes non qualifiées d'essayer de réparer l'installation.
- Le gaz propane utilisé dans l'installation de cet appareil n'a pas d'odeur.
- Le manque d'odeur n'indique pas le manque de gaz évacué. Si une fuite est détectée, évacuez immédiatement tout le monde dans la zone, ventilez la chambre et contactez les pompiers pour les avertir des fuites de propane.
- Ne laissez personne revenir dans la chambre avant que le technicien n'arrive et donne sa recommandation concernant la sécurité du retour dans la zone touchée.
- N'utilisez pas de flammes ouvertes, de cigarettes ou d'autres sources inflammables possibles à l'intérieur ou au voisinage de l'appareil.
- Les composants sont spécialement conçus pour être utilisés avec du propane gaz. Les composants ne sont remplacés que par des pièces de rechange identiques.

**LA DEFAILLANCE DES INSTRUCTIONS DE SÉCURITÉ PEUT AUGMENTER LE RISQUE D'EXPLOSION, DE MORT, DE BLESSURES ET DE DOMMAGES MATÉRIELS.**

## **2. INSTRUCTIONS DE SÉCURITÉ**

**Votre sécurité est la chose la plus importante pour nous!**




Veuillez lire attentivement ce manuel avant d'utiliser le déshumidificateur.


### **A. AVERTISSEMENTS CONCERNANT LE FONCTIONNEMENT DE L'APPAREIL**

**Avertissements concernant les risques d'incendie, de choc électrique, de blessure corporelle ou de dégât matériel:**

- Si le câble d'alimentation est endommagé, il doit être remplacé par le fabricant, son agent de service ou un personnel qualifié pour éviter tout danger.
- Le niveau de pression acoustique pondéré A est inférieur à 36 dB.
- Lors des opérations de maintenance, l'appareil doit être débranché de la source d'alimentation.
- Connectez toujours l'appareil à une source de tension, fréquence et puissance correspondant à celles indiquées sur la plaque d'identification du produit.
- Utilisez toujours une prise mise à la terre.
- Débranchez le câble d'alimentation lors du nettoyage de l'appareil ou lorsqu'il n'est pas utilisé.
- Ne pas utiliser la machine avec les mains mouillées. Ne laissez pas d'eau pénétrer dans l'appareil.
- N'immergez pas l'appareil dans l'eau et ne l'exposez pas à la pluie, à l'humidité ou à toute autre source de liquide.
- Ne laissez pas l'appareil sans surveillance pendant qu'il fonctionne. Ne l'inclinez pas et ne le renversez pas.
- Ne débranchez pas l'appareil pendant qu'il fonctionne.
- Ne débranchez pas en tirant le câble d'alimentation.
- N'utilisez pas de rallonge ni d'adaptateur.
- Ne placez pas d'objets sur l'appareil.
- Ne montez pas et ne vous asseyez pas sur l'appareil.
- N'insère pas les doigts ou d'autres objets dans la sortie d'air.
- Ne touchez pas la sortie d'air ni les fentes en aluminium de l'appareil.
- N'utilisez pas l'appareil s'il est tombé, s'il a été endommagé ou s'il présente des signes de dysfonctionnement.
- Ne nettoyez pas l'appareil avec des produits chimiques.
- Assurez-vous que l'appareil reste à l'écart du feu, des objets inflammables ou explosifs.
- L'appareil doit être installé conformément aux réglementations nationales relatives aux systèmes de câblage.
- N'utilisez pas d'autres moyens pour accélérer le processus de dégivrage ou de nettoyage que ceux recommandés par le fabricant.
- L'appareil doit être rangé dans une pièce dépourvue d'appareils fonctionnant en continu (par exemple: flamme ouverte, appareil à gaz ou appareil de chauffage électrique).
- L'appareil doit être stocké de manière à éviter sa détérioration.
- Ne démontez pas et ne jetez pas l'appareil, même après utilisation.
- Sachez que les agents de réfrigération n'ont pas d'odeur.
- Les tuyaux de l'appareil doivent être protégés contre les dommages physiques et ne doivent pas être installés dans un espace non ventilé, si cet espace est inférieur à 4 m<sup>2</sup>.

- Se conformer à la réglementation nationale sur le gaz.
- Gardez les orifices de ventilation libres de tout obstacle.
- L'appareil doit être rangé dans un endroit bien ventilé, où la taille de la chambre correspond aux conditions spécifiées, pour un fonctionnement correct.

 Toute personne travaillant sur un circuit de réfrigération doit détenir un certificat valide délivré par une autorité d'évaluation accréditée, attestant de sa compétence pour manipuler les réfrigérants en toute sécurité, conformément aux spécifications reconnues dans l'industrie concerné.

 Les réparations de l'installation doivent être effectuées conformément aux recommandations du fabricant. L'entretien et les réparations nécessitent l'assistance d'un personnel qualifié et ils sont effectués sous la supervision d'une personne compétente dans l'utilisation de réfrigérants inflammables.

Si vous rencontrez des problèmes que vous ne comprenez pas ou si vous avez besoin d'aide, veuillez contacter les services du revendeur agréé.

## B. PRÉCAUTIONS DE SÉCURITÉ CONCERNANT LES RÉPARATIONS

Veillez tenir compte de ces avertissements avant de procéder à la maintenance d'un déshumidificateur R290.

### i. Vérifications au voisinage du dispositif

Avant de commencer à travailler sur des systèmes contenant des réfrigérants inflammables, ils sont nécessaires des contrôles de sécurité pour réduire au minimum le risque d'inflammation. Pour la réparation du système de réfrigération, les précautions suivantes seront suivies avant d'effectuer les travaux sur le système.

### ii. Procédure de travail

Les travaux sont effectués conformément à une procédure contrôlée, de manière à minimiser les risques d'apparition de gaz ou de vapeurs inflammables pendant les travaux.

### iii. Zone de travail

Tout le personnel de maintenance et les autres personnes travaillant dans les voisinages doivent être formés en ce qui concerne la nature des travaux effectués. Évitez de travailler dans des espaces confinés. La zone autour de l'espace de travail est délimitée. Assurez-vous que les espaces dans la zone ont été sécurisés en contrôlant les matériaux inflammables.

### iv. Vérification de la présence de l'agent éfrigérant

La zone doit être vérifiée avec un détecteur de réfrigérant approprié avant et pendant le travail pour assurer la présence de matériaux potentiellement inflammables. Assurez-vous que l'équipement de détection de fuites utilisé est adapté à l'identification des réfrigérants inflammables, ne déclenche pas d'étincelles et qu'il est correctement scellé.

### v. Présence d'extincteur d'incendies



S'il est effectué du travail à chaud sur l'équipement de réfrigération ou sur toute partie de celui-ci, il doit être disponible un équipement d'extinction d'incendie adéquat. Assurez-vous de disposer d'un extincteur à poudre sèche ou à CO<sub>2</sub> à la proximité.

vi. Sans sources d'allumage

Aucune personne effectuant des travaux dans un système de réfrigération et exposée à un réfrigérant inflammable ne doit utiliser aucune source d'inflammation afin d'éviter tout risque d'incendie ou d'explosion. Toutes les sources possibles d'inflammation, y compris le tabagisme, doivent être éloignées du lieu d'installation, de réparation, de démontage et d'élimination, dans les lieux où un réfrigérant inflammable peut être libéré. Avant de procéder aux travaux, il convient de vérifier les alentours de l'installation pour s'assurer qu'il n'y a pas de produits inflammables ou de risques d'inflammation. Sera utilisée la pancarte "Interdiction de fumer".

vii. Zone ventilée

Assurez-vous que la zone de travail est bien ventilée avant de commencer à travailler sur l'installation ou pour effectuer un travail à chaud. La ventilation devrait disperser en toute sécurité tout fluide réfrigérant libéré et de préférence l'expulser de l'extérieur vers l'atmosphère.

viii. Vérifications s à l'installation avec un agent réfrigérant

Si les composants électriques sont remplacés, ils doivent être adaptés à l'utilisation prévue et de respecter les spécifications correctes. Les instructions du fabricant concernant la maintenance et les opérations en ce qui concerne la maintenance doivent être suivies à tout moment. En cas de doute, consultez le service technique du fabricant.

Les contrôles suivants s'appliquent aux installations utilisant des réfrigérants inflammables:

- La taille de la charge est fonction de la taille de la chambre dans laquelle sont installés les composants contenant le réfrigérant;
- Les appareils de ventilation et les événements fonctionnent correctement et ne sont pas obstrués;
- Si un circuit de réfrigération indirect est utilisé, le circuit secondaire doit être vérifié pour la présence de réfrigérant;
- Les marques de l'équipement de travail seront visibles et lisibles. Toute marque et tout signe illisibles seront corrigés;
- l'installation de réfrigérant ou ses composants sont placés de telle sorte qu'ils ne puissent être exposés à aucune substance corrosive, à moins que les composants ne soient construits avec des matériaux intrinsèquement résistants à la corrosion ou protégés de manière adéquate.

ix. Contrôle des appareils électriques

La réparation et l'entretien des composants électriques doivent inclure des contrôles de sécurité initiaux et des procédures d'inspection des composants. En cas de défaut pouvant compromettre la sécurité, l'appareil ne sera pas branché à l'alimentation tant que le défaut n'aura pas été résolu de manière satisfaisante. Si le défaut ne peut pas être corrigé

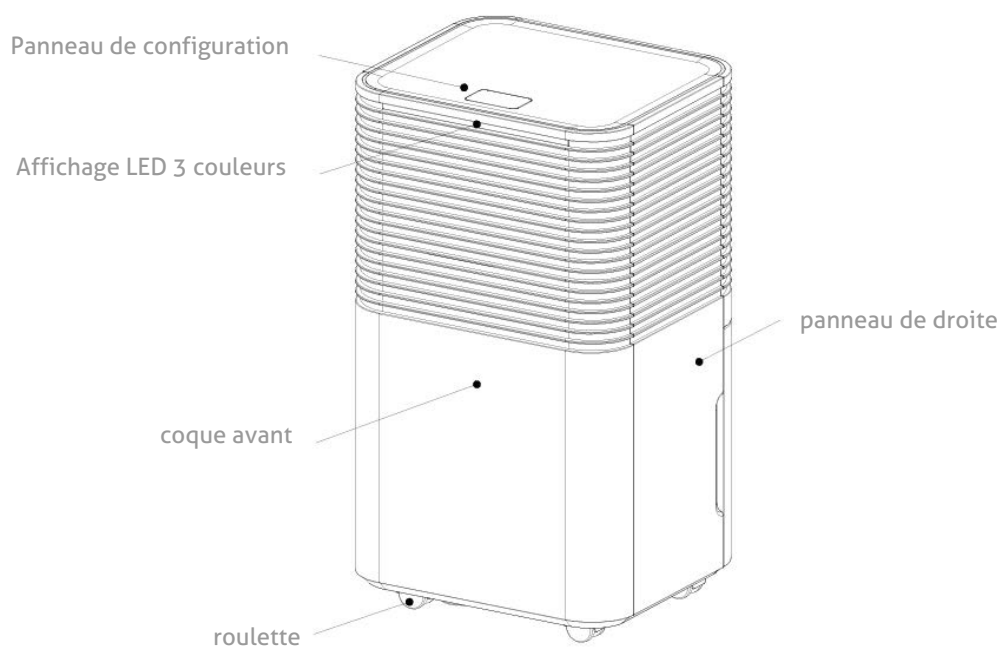
immédiatement, mais qu'il est nécessaire de continuer le fonctionnement, il sera utilisé une solution temporaire appropriée. Ceci est signalé au propriétaire de l'équipement, de sorte que toutes les parties soient conscientes de cette situation.

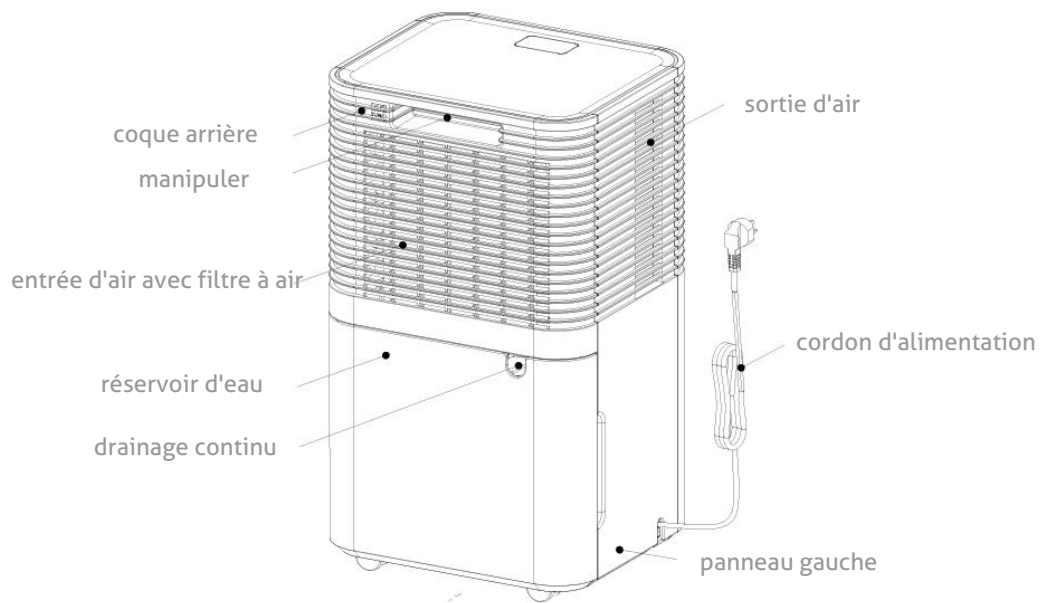
**Les contrôles de sécurité initiaux sont effectués lorsque:**

- les condensateurs sont déchargés: ceci doit être fait en toute sécurité pour éviter la formation d'étincelles;
- les composants électriques et les câbles ne sont pas sous tension, même pendant le chargement, la récupération ou la purge du système;
- il y a une continuité de la connexion à la terre.

### 3. PRESENTATION DU PRODUIT

#### A. VUE AVANT ET ARRIÈRE





## B. CARACTÉRISTIQUES

- Powerful Élimination efficace de l'humidité
- Surveillance et affiche l'humidité actuelle dans l'air
- Le mode automatique ajuste automatiquement le niveau d'humidité
- Timer avec l'intervalle de 24 heures pour régler le temps de fonctionnement
- Il élimine efficacement l'humidité et la poussière de l'air
- Consommation faible d'énergie, efficacité énergétique
- Le ventilateur est silencieux, à deux vitesses
- Dégivrage automatique en cas de fonctionnement à basse température
- Arrêt automatique/redémarrage automatique
- Contrôle électronique
- Mode de drainage continu
- Réservoir d'eau de 2l

## C. SPÉCIFICATIONS TECHNIQUES

MODEL	<b>EPI 12/ 12 wifi</b>
Dehumification Capacity	<b>12L/ jour (30°C, 80%)</b>
Power Supply	<b>AC220-240V/50Hz</b>
Power Consumption	<b>200W/1.2A (30°C, 80%)</b>

Noise	≤38dB(A)
Water tank capacity	2.0L
Maximum Refrigerant Charge	R290/50g
Net weight	10kg
Maximum Design pressure	Haute: 3.2MPa Basse: 0.7MPa
Minimum Room size	4 m <sup>2</sup> (superficie de plancher)
Dimension	255x220x445 mm
Fuse type and rating:	T-Type, AC 250V, 3.15A

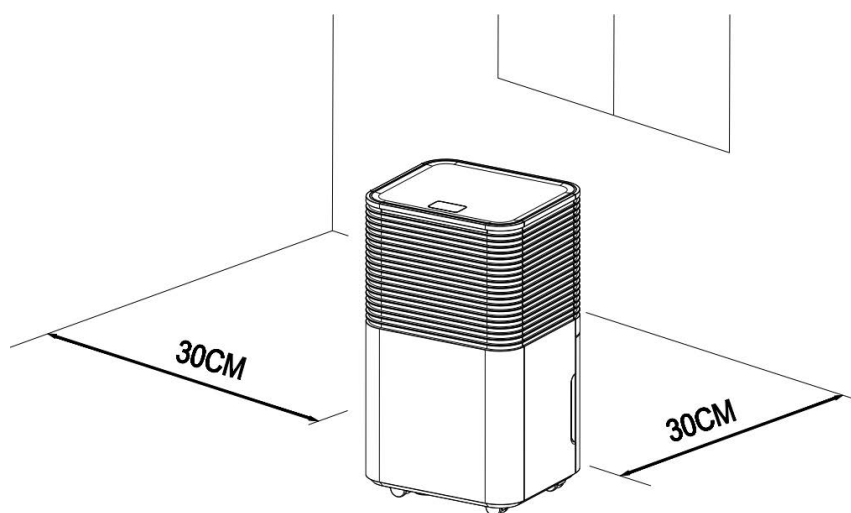
## 4. INSTALLATION

### A. EMBLACEMENT DU DESHUMIDIFICATEUR

Placez l'appareil sur une surface stable et plane et laissez au moins 30 cm d'espace libre autour de lui pour permettre une circulation d'air adéquate.

**N'installer jamais l'unité :**

- À côté de sources de chaleur telles que chaudière, radiateurs, poêles ou des autres appareils générant de la chaleur.
- Dans une zone où peut être éclaboussé de l'huile ou de l'eau
- En plein soleil
- Dans une zone de vibrations ou de chocs mécaniques
- Dans une zone de poussière excessive
- Dans une zone non ventilée, telle qu'un placard ou une bibliothèque
- Sur une surface inégale





#### ATTENTION

Installez l'unité dans des pièces dépassant 4 m<sup>2</sup>.  
N'installez pas l'unité dans un endroit où des gaz inflammables peuvent fuir.



#### NOTE

Le fabricant peut fournir un autre exemple approprié ou fournir des informations supplémentaires sur l'odeur du réfrigérant.

## B. UTILISATION EN TOUTE SÉCURITÉ DE L'APPAREIL

- Après le déballage, vérifiez si l'appareil est endommagé ou rayé.
- Utilisez cette unité à une température ambiante comprise entre 5 ° C et 35 ° C.
- N'utilisez pas le déshumidificateur à l'extérieur. Ce déshumidificateur est destiné à un usage résidentiel uniquement.
- N'utilisez pas le déshumidificateur à la proximité de murs, rideaux ou autres objets pouvant obstruer l'entrée et la sortie d'air.
- Gardez les ports d'entrée et de sortie sans d'obstacles.
- Si elle a été inclinée à un angle supérieur à 45°, laissez l'unité debout pendant au moins 24 heures avant de démarrer.
- Gardez les portes et les fenêtres fermées pour une meilleure efficacité du déshumidificateur.
- N'utilisez pas et ne stockez pas l'unité à la lumière directe du soleil ou sous la pluie.
- Il est normal que la sortie d'air se réchauffe après un fonctionnement continu pendant les journées chaudes
- Videz le réservoir d'eau avant de déplacer le déshumidificateur.
- Assurez-vous que le réservoir d'eau est correctement monté, sinon l'unité ne fonctionnera pas correctement.
- Le déshumidificateur démarre dans le mode sélectionné lors de la dernière utilisation.
- Le déshumidificateur commence à déshumidifier l'air de la chambre si le taux d'humidité est supérieur de plus de 3% à la valeur sélectionnée.
- Le compresseur est équipé d'un système de protection qui retarde le démarrage avec 3 minutes. Ainsi, vous devrez attendre 3 minutes pour que le déshumidificateur reprenne le processus de déshumidification.

## 5. FONCTIONNEMENT

A. Indicateur d'humidité avec LED à 3 couleurs situé à l'avant

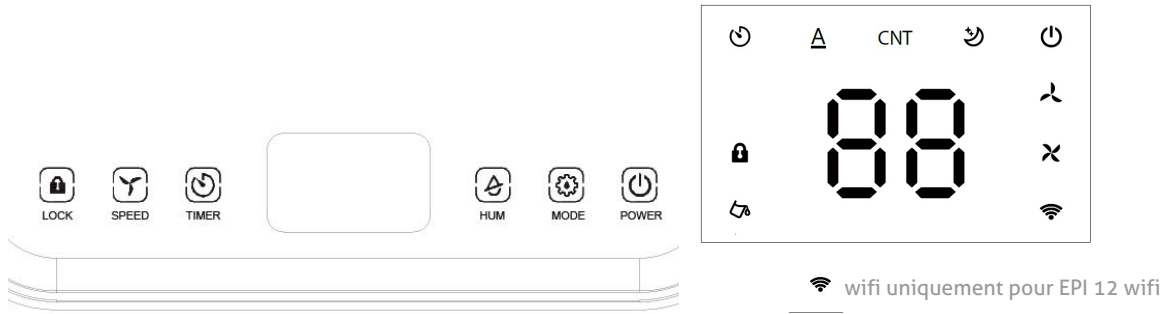
**Lumière bleue LED** - l'humidité de la chambre est inférieure à 45%

**Lumière vert LED** - l'humidité de la chambre est comprise entre 45% et 65%

**Lumière rouge LED** - l'humidité de la chambre est supérieure à 65%

Si l'affichage LED E0、E2、CL、CH、LO、HI, le voyant sera rouge.

## B. Panneau de commande



### **BOUTON D'ALIMENTATION (POWER)**

Après le démarrage, tous les indicateurs et l'affichage s'allument pendant 1 seconde, après quoi ils s'éteignent. Après le signal sonore, le voyant d'alimentation s'allume, et l'appareil passe en mode veille.

Appuyez de nouveau sur cette touche, et l'unité démarrera ayant les valeurs implicites suivantes : humidité initiale 60% RH, mode de fonctionnement automatique et échelle élevée de ventilation.

Appuyez de nouveau sur , et l'appareil s'éteindra tout comme le ventilateur

### **MODES DE FONCTIONNEMENT (MODE)**

**Mode automatique - Mode de fonctionnement avec déshumidification continue - Mode veille**, appuyez une fois pour passer d'un mode à l'autre et l'indicateur correspondant s'allume.

- Mode automatique: lorsque l'humidité de la pièce  $\geq$  l'humidité réglée + 3%, le ventilateur démarre et le compresseur commence à fonctionner après 3 secondes. Lorsque l'humidité de la pièce  $\leq$  l'humidité réglée - 3%, le compresseur s'arrête, tout comme le ventilateur après 30 secondes de retard.

À la fois la vitesse du ventilateur, mais aussi l'humidité peuvent être réglées en mode Auto (automatique)

- Mode de déshumidification continue : L'appareil continue à fonctionner, mais l'humidité ne peut pas être réglée.
- Mode Sleep (Veille): appuyez la touche SLEEP, le voyant correspondant s'allumera, et la fonction veille sera activée. Si le panneau de commande n'est pas utilisé pendant 10 secondes, tous les indicateurs diminueront leur intensité lumineuse et la vitesse du ventilateur passera à la vitesse inférieure. Appuyez sur n'importe quelle touche pour rallumer le voyant du Mode Veille. Appuyez à nouveau la touche MODE pour quitter le mode SLEEP (Veille). Dans le Mode SLEEP (Veille), le code par défaut ne s'affiche pas et la vitesse et l'humidité du ventilateur ne peuvent pas être ajustées.

### **TIMER**

Appuyez sur la touche de la minuterie pour régler cette fonction de 0 à 12 heures. L'intervalle de réglage est de 1 heure. Chaque fois que vous appuyez cette touche, la valeur augmente d'une heure et s'affiche sur l'écran. Pour annuler la fonction de Minuterie, choisissez la valeur « 00 ». L'indicateur correspondant à la fonction Minuterie s'allume. Après avoir réglé la fonction de minuterie, le voyant correspondant restera allumé pendant toute la durée définie.

Une fois le temps défini écoulé, le voyant correspondant s'éteint automatiquement.  
En mode de fonctionnement, réglez la fonction de Minuterie afin d'éteindre l'appareil ;  
En mode veille, réglez la fonction de Minuterie afin de démarrer l'appareil.



#### **REGLAGE DE L'HUMIDITE**

En mode automatique ou Mode SLEEP (Veille), appuyez sur cette touche afin de régler le niveau d'humidité souhaité. L'intervalle de réglage d'humidité souhaité (étape par étape) est de 30% - 35% - 40% - 45% - 50% - 55% - 60% - 65% - 70% - 75% - 80%.

Maintenez cette touche enfoncée et les voyants lumineux indiqueront la température ambiante actuelle.



#### **VITESSE DU VENTILATEUR (SPEED)**

La vitesse du ventilateur ne peut être modifiée qu'en mode automatique.

Appuyez la touche une fois afin de passer d'une vitesse élevée à une vitesse faible, et le voyant LED correspondant s'allumera.



#### **FONCTION DE PROTECTION DES ENFANTS (LOCK)**

Appuyez et maintenez cette touche pour activer / désactiver la fonction de protection des enfants. Le voyant lumineux correspondant à la fonction s'allume. Toutes les fonctions sont verrouillées et ne peuvent pas être activées. Appuyez à nouveau cette touche, le voyant lumineux s'éteint et les fonctions sont réactivées. Après avoir éteint l'appareil, la fonction de protection des enfants est désactivée.

#### **A. Drainage**

Il existe deux manières d'éliminer l'eau recueillie produite par l'unité

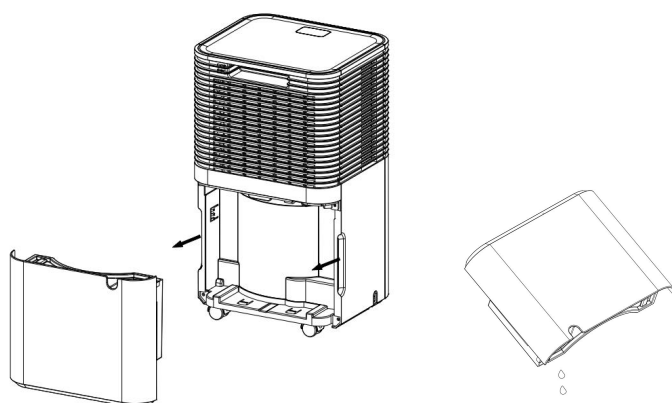
A. Drainage manuel: Réservoir d'eau, enlevé et drainé manuellement.

B. Drainage continu: Attachement à l'unité d'un tuyau de drainage gravitationnel d'eau résultant de la condensation.

## B. Vider le réservoir d'eau

Lorsque le réservoir est plein, l'appareil émet un son acoustique, et le voyant « Water Full » (Réservoir Plein) s'allume.

- Appuyez la touche POWER afin d'éteindre l'appareil.
- Tirez du réservoir d'eau et il sortira du corps du déshumidificateur.
- Vider l'eau du réservoir.
- Nettoyez l'intérieur du réservoir, le cas échéant, et l'extérieur.
- Réinsérez le réservoir vide dans l'appareil.
- Appuyez sur la touche POWER pour reprendre le fonctionnement de l'appareil.
- Si le voyant correspondant au réservoir plein est toujours allumé, vérifiez que le flotteur du réservoir soit en bonne position et n'est pas coincé dans une autre position.



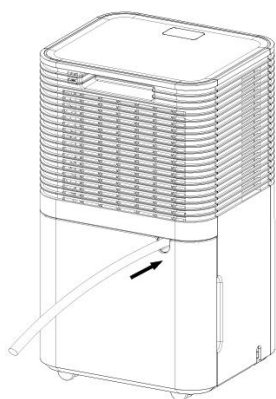
- Ne jetez pas les aimants du réservoir d'eau et les rivets en plastique. Sinon, l'appareil ne s'éteindra pas automatiquement lorsque le réservoir d'eau est plein et l'eau condensée se renversera et endommagera le sol de la pièce.
- Veuillez vous assurer d'avoir nettoyé l'eau condensée du réservoir d'eau avant de réinitialiser le mode de fonctionnement de l'appareil.
- Si le réservoir d'eau est sale, rincez-le à l'eau claire. Évitez d'utiliser des détergents, des billes d'acier, des dépoussiéreurs, du diesel, du benzène, des diluants ou d'autres solvants. Sinon, le réservoir d'eau sera endommagé et une fuite se produira.
- Réinsérez le réservoir vide dans l'appareil. Sinon, le voyant « Water Full » (Réservoir Plein) reste rouge et l'appareil ne redémarrera pas.

## C. Drainage continu

Pour un fonctionnement continu ou une déshumidification sans surveillance, veuillez connecter le tuyau de vidange à l'unité. L'eau condensée s'écoulera librement, par gravitation, dans un seau ou un drain.

1. Redressez le tuyau de vidange.
2. Insérez une extrémité du tuyau de vidange dans le trou du réservoir et l'autre extrémité dans un drain ou un seau et assurez-vous que l'eau peut s'écouler librement de l'appareil.





Port de drainage continu

- Veuillez ne pas obstruer le tuyau de vidange ou les fuites, sinon l'eau condensée s'écoulera dans le réservoir d'eau.
- Veuillez ne pas plier le tuyau de vidange. Le tuyau de vidange doit être incliné vers le bas vers le drain.
- Le tuyau de vidange doit être bien raccordé à la vidange afin d'éviter les fuites au sol.

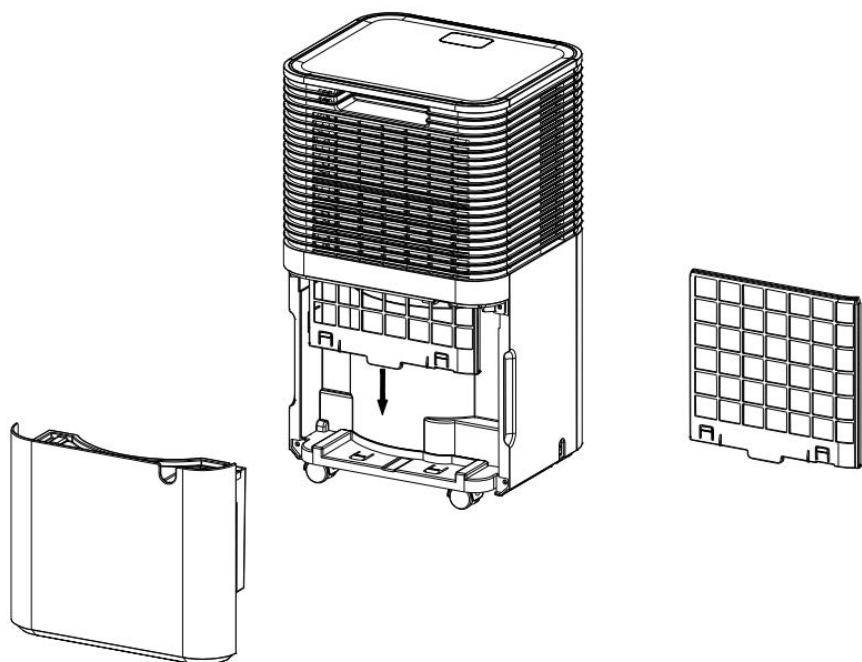
## 6. ENTRETIEN

### NETTOYAGE DU FILTRE D'AIR

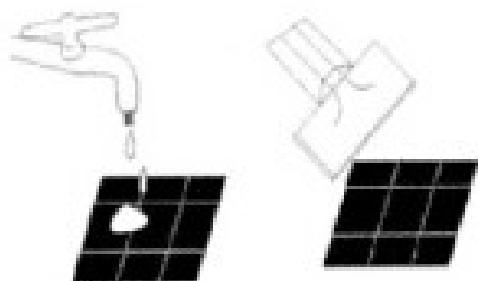
Nettoyez le filtre au moins toutes les deux semaines ou chaque fois qu'il est nécessaire. Les impuretés accumulées dans un filtre non lavé peuvent être absorbées par le ventilateur en se fixant sur l'évaporateur, au condenseur et sur d'autres composants internes, ce qui entraîne une diminution du rendement et l'apparition de divers défauts, dans ce cas, non couverts par la garantie.

Si on constate des impuretés à l'intérieur de l'unité, contactez le service agréé le plus proche pour un nettoyage professionnel. N'effectuez pas de nettoyage interne (autre que le nettoyage et le lavage du filtre lavable) qu'uniquement avec du personnel spécialisé.

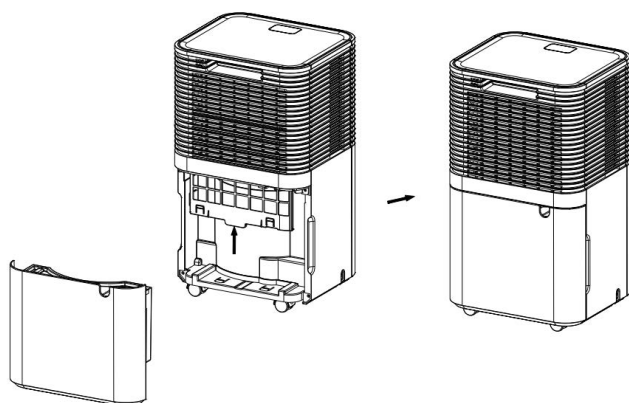
- a) Retirez la grille du filtre et enlevez le filtre.



b) Utilisez un aspirateur pour enlever délicatement la poussière de la surface du filtre. Si le filtre est très sale, lavez-le à l'eau et au détergent, puis séchez-le soigneusement.



c) Remettez le filtre en place derrière l'appareil.



## 7. DÉPANNAGE

### A. TEMPERATURE DE FONCTIONNEMENT

**5 ° C ≤ Température ambiante ≤ 35 ° C** Lorsque la température ambiante est inférieure ou supérieure à la température de fonctionnement, le déshumidificateur s'arrête.

**Lorsque 5 ° C ≤ Temp. Ambiante ≤ 16 ° C**, le compresseur dégivre automatiquement à certains intervalles; pendant le dégivrage, le compresseur s'arrête et le ventilateur continue de fonctionner.

### B. AVANT DE DEMANDER UN SERVICE

Avant de contacter le centre de service, consultez la liste des problèmes pouvant survenir pendant le fonctionnement de l'unité et ne résultant pas d'un vice du travail ni des matériaux utilisés

Problème	Causes possibles	Solution
L'appareil ne fonctionne pas	Il n'y a pas d'alimentation	Branchez l'appareil à une prise de courant et allumez-le
	L'indicateur «Water Full» (Réservoir plein) est allumé	Videz le réservoir d'eau et remettez-le au bon endroit.
	Température de la chambre <5°C >35°C	Système de protection installé pour protéger l'unité. L'unité ne peut pas fonctionner à une telle température.
Mauvaise opération	Le filtre à l'air est-il bloqué?	Nettoyez le filtre à l'air comme expliqué dans ce manuel
	Le port d'entrée ou de sortie est-il bloqué?	Le fait de retirer quoi que ce soit obstrue l'entrée ou la sortie.

Le port d'entrée d'air ne permet pas à l'air de passer à travers	Le filtre est-il bloqué?	Lavez le filtre
L'unité fait du bruit pendant le fonctionnement	L'unité est-elle positionnée sur une surface horizontale et plane?	Placez l'appareil correctement
	Le filtre est-il bloqué?	Lavez le filtre
E2	Problèmes avec le capteur d'humidité	Placez l'appareil correctement
LO	Le niveau d'humidité dans la chambre a diminué en dessous de 20%	Le déshumidificateur s'arrête automatiquement pour se protéger
HI	Le niveau d'humidité dans la chambre a augmenté de plus de 90%	
CL	Protection à basse température, quand la temp. de la chambre est <5°C	
CH	Protection à haute température, quand la temp. de la chambre est >35°C	

## 8. ELIMINATION

### 8.1 STOCKAGE DE L'UNITÉ

Stockage à long terme - Si vous n'utilisez pas l'appareil pendant une longue période (plus de quelques semaines), nous vous recommandons de le nettoyer et de le sécher complètement. Veuillez stocker l'unité en procédant comme suit:

- a) Appuyez sur le bouton d'alimentation pour éteindre l'unité et débranchez-le de la prise de courant.
- b) Videz l'eau restante dans l'unité
- c) Nettoyez le filtre et laissez-le se sécher complètement dans une zone à l'abri de la lumière.
- d) Enroulez le câble d'alimentation.
- e) Réinstallez le filtre dans la position correcte.
- f) L'unité doit être maintenue en position verticale lorsqu'elle est stockée.

g) Conservez le déshumidificateur dans une chambre ventilée, sèche et sans carburants.

**ATTENTION:** L'évaporateur à l'intérieur du déshumidificateur doit être sec avant d'être emballé pour éviter d'endommager les composants et l'apparence de moisissure. Débranchez l'unité et placez-le dans un endroit sec et ouvert pendant plusieurs jours pour le bien sécher. Une autre façon de sécher l'unité consiste à régler le niveau d'humidité à 5% au-dessus de l'humidité ambiante, afin de forcer le ventilateur à sécher l'évaporateur pendant plusieurs heures.

## 8.2 ELIMINATION



### **AVERTISSEMENT!!!**

La libération du réfrigérant dans l'atmosphère est strictement interdite!

Ne jetez pas les appareils électriques avec les déchets ménagers non triés, mais utilisez des espaces de collecte séparés. Contactez votre administration locale pour obtenir des informations sur les systèmes de collecte disponibles dans la région. Si les appareils électriques sont jetés avec les ordures ménagères, des substances dangereuses peuvent s'infiltrer dans les eaux souterraines et atteindre la chaîne alimentaire, nuisant ainsi à la santé et au bien-être des personnes.

# SMART LIFE - MANUEL D'UTILISATION DE L'APPLICATION



L'application « Smart Life » est disponible pour Android et iOS. Scannez avec votre smartphone le code QR correspondant pour accéder directement au téléchargement.

## Comment utiliser l'application

Cet appareil vous permet de faire fonctionner l'appareil via votre réseau domestique WIFI. La condition préalable est une connexion WIFI permanente à votre routeur et l'application gratuite « Smart Life ».

Nous vous recommandons de débrancher l'appareil du secteur lorsque vous n'êtes pas chez vous afin d'éviter toute mise en marche involontaire pendant que vous êtes en déplacement !

1. Installez l'application « Smart Life ». Créez un compte utilisateur.
2. Activez la fonction WIFI dans les paramètres de votre appareil - appuyez sur le bouton TIMER pendant au moins 5 secondes.
3. Placez l'appareil à une distance d'environ 5 mètres de votre routeur.
4. Tant que l'appareil est sous tension, l'indicateur WIFI clignote. Après 3 minutes, l'état sera annulé s'il n'y a pas de configuration réseau et le voyant est éteint. Si vous devez reconnecter le WIFI, appuyez longuement sur le bouton « TIMER » pendant 5 secondes pour démarrer la configuration du réseau, l'indicateur WIFI clignote à nouveau.

## Connecté WIFI

### Méthode 1 Connecté via Bluetooth

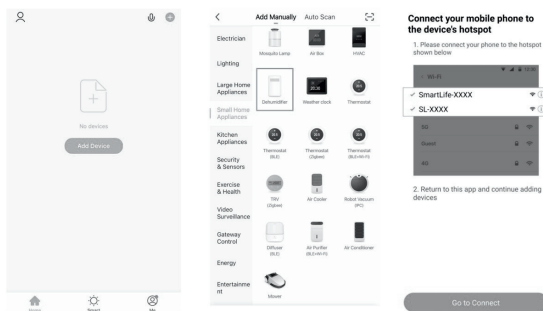
- Ouvrez le Bluetooth de votre téléphone mobile ou autre appareil.
- Lorsque l'indicateur WIFI clignote, ouvrez l'application « Smart Life » et l'appareil se connectera automatiquement via Bluetooth.

### Méthode 2

- Lorsque le voyant WIFI clignote, sélectionnez : **"Ajouter un appareil" - "Petits appareils électroménagers" - "Déshumidificateur"** et suivez les instructions sur l'application Smart Life. Vérifiez l'état de l'indicateur WIFI et choisissez l'état correct.
- Si l'indicateur WIFI clignote rapidement, il peut se connecter directement.
- Si l'indicateur WIFI clignote lentement, appuyez sur « Go to Connect » pour connecter le WIFI nommé « SmartLife-XXXX ».

## Remarques

- Une fois l'appareil connecté avec succès, le voyant WIFI s'allume. Vous pouvez désormais utiliser l'appareil à l'aide de l'application.
- Appuyez et maintenez enfoncé le bouton Minuterie pendant environ 5 secondes, l'appareil se déconnecte et le voyant WIFI s'éteint.



## DÉPANNAGE

### La connexion réseau a échoué

Expiration du délai de connexion réseau

### Solution

1. Vérifiez si vous sélectionnez le WIFI nommé « SmartLife-XXXX ».
2. Éteignez la machine et débranchez le code d'alimentation et le plug-in après 10 secondes, entrez dans l'application pour vous reconnecter.

Indicateur WIFI éteint

Appuyez longuement sur le bouton « Minuterie » ou éteignez la machine et débranchez le code d'alimentation et le plug-in après 10 secondes.

Le hotspot WIFI disparaît et le voyant WIFI clignote

Éteignez la machine et débranchez le code d'alimentation et le plugin après 10 secondes, entrez dans l'application pour vous reconnecter.

# IT: INDICE

1.	PRIMA DI INIZIARE	97
2.	ISTRUZIONI DI SICUREZZA	98
3.	PRESENTAZIONE DEL PRODOTTO	102
4.	INSTALLAZIONE	104
5.	FUNZIONAMENTO	105
6.	MANUTENZIONE	109
7.	RISOLUZIONE DEI PROBLEMI	110
8.	SMALTIMENTO DEL PRODOTTO	111
9.	SMART LIFE - MANUALE D'USO DELL'APP	113

Grazie per aver scelto il nostro deumidificatore..  
Assicurarsi di leggere attentamente questo manuale prima di utilizzarlo.  
*Conservare attentamente questo manuale per ulteriori riferimenti!!*

# 1. PRIMA DI INIZIARE

**Leggere attentamente le istruzioni per l'uso prima di utilizzare il deumidificatore per la prima volta.**

## A. DESCRIZIONE DEL PRODOTTO

Il deumidificatore viene utilizzato per rimuovere l'umidità in eccesso dall'aria. La conseguente riduzione dell'umidità relativa protegge gli edifici e il loro contenuto dagli effetti negativi dell'umidità in eccesso.

L'R290 ecologico viene utilizzato come refrigerante. R290 non ha alcuna influenza dannosa sullo strato di ozono (ODP), un effetto serra trascurabile (GWP) ed è disponibile in tutto il mondo. Grazie alle sue efficienti proprietà energetiche, R290 è altamente adatto come refrigerante per questa applicazione. Precauzioni speciali devono essere prese in considerazione a causa dell'alta infiammabilità del liquido di raffreddamento.

## B. SIMBOLI SULL'UNITÀ E NEL MANUALE D'USO



**Attenzione!**

Questa unità utilizza un refrigerante infiammabile.

Se il refrigerante esce fuori dall'unità ed entra in contatto con il fuoco

o una parte riscaldante, si crea gas nocivo e aumenta il rischio di incendio.



Leggere attentamente il MANUALE D'USO prima di utilizzare l'unità.



Ulteriori informazioni sono disponibili nel MANUALE D'USO e nel MANUALE DI ASSISTENZA TECNICA.



Il personale dell'assistenza tecnica è consigliato di leggere attentamente il MANUALE D'USO e il MANUALE DI ASSISTENZA TECNICA prima di utilizzare l'unità.

## C. PRESTARE ATTENZIONE IN QUALSIASI MOMENTO ALLE INFORMAZIONI SOTTOSTANTI

- Questo apparecchio è destinato ad essere utilizzato da esperti o utenti addestrati nei negozi, nell'industria leggera e nelle aziende agricole o per uso commerciale da parte di persone non specializzate.



- Questo apparecchio può essere utilizzato da bambini di età pari o superiore a 8 anni e da persone con capacità fisiche, sensoriali o mentali ridotte o senza esperienza e conoscenza se sono stati sottoposti a supervisione o istruzione relative all'uso dell'apparecchio in modo sicuro e comprendono pericoli coinvolti.
- Questo apparecchio non è un giocattolo. I bambini sotto i 3 anni devono essere costantemente monitorati e tenuti lontano da esso.
- La pulizia e la manutenzione dell'unità non devono essere eseguite da bambini.
- L'unità è progettata esclusivamente per l'uso con gas R-290 (propano) come refrigerante designato.
- Il circuito di raffreddamento è sigillato. Solo persone qualificate possono eseguire riparazioni al circuito di raffreddamento!
- Non scaricare il refrigerante nell'atmosfera.
- L'R-290 (propano) è infiammabile e più pesante dell'aria.
- Si raccoglie per primo nelle aree basse ma può essere fatto circolare dai fan.
- Se è presente o addirittura sospettato gas propano, non consentire a personale non addestrato di tentare di trovare la causa.
- Il gas propano utilizzato nell'unità non ha odore.
- La mancanza di odore non indica una mancanza di gas fuoriuscito.
- Se viene rilevata una perdita, evacuare immediatamente tutte le persone dal negozio, ventilare la stanza e contattare i vigili del fuoco locali per avvisare che si è verificata una perdita di propano.
- Non consentire a nessuno di rientrare nella stanza fino a quando il tecnico dell'assistenza qualificato non è arrivato e ha informato che è sicuro tornare al negozio.
- Non utilizzare fiamme libere, sigarette o altre possibili fonti di accensione all'interno o nelle vicinanze delle unità.
- I componenti sono appositamente progettati per l'uso con gas propano. I componenti vengono sostituiti solo con parti identiche.

LA MANCATA OSSERVANZA DELLE ISTRUZIONI DI SICUREZZA PUÒ AUMENTARE IL RISCHIO DI ESPLOSIONI, MORTE, LESIONI E DANNI MATERIALI.

## 2. ISTRUZIONI DI SICUREZZA

**La tua sicurezza è la cosa più importante di cui siamo preoccupati!**



Si prega di leggere attentamente questo manuale prima di utilizzare il deumidificatore.

### A. AVVERTENZE RELATIVE AL FUNZIONAMENTO DEL DISPOSITIVO

**ATTENZIONE: per ridurre il rischio di incendi, scosse elettriche o lesioni a persone o cose:**

- Se il cavo di alimentazione è danneggiato, deve essere sostituito dal produttore, dal suo agente di servizi o da persone analogamente qualificate per evitare pericoli.
- Il livello di pressione sonora ponderata A è inferiore a 36 dBs.

- L'apparecchio deve essere scollegato dalla fonte di alimentazione durante la manutenzione.
- Collegare sempre l'unità a una fonte di alimentazione di uguale tensione, frequenza e potenza, come indicato sulla targhetta di identificazione del prodotto.
- Utilizzare sempre una presa di corrente con messa a terra.
- Scollegare il cavo di alimentazione durante la pulizia o quando l'unità non viene utilizzata.
- Non operare l'unità con le mani bagnate. Prevenire la fuoriuscita di acqua sull'unità.
- Non immergere o esporre l'unità a pioggia, umidità o altri liquidi.
- Non lasciare l'unità in funzione incustodita. Non inclinare o capovolgere l'unità.
- Non scollegare il cavo di alimentazione mentre l'unità è in funzione.
- Non scollegare tirando il cavo di alimentazione.
- Non utilizzare una prolunga o una spina per adattatore.
- Non appoggiare oggetti sull'unità.
- Non arrampicarsi o sedersi sull'unità.
- Non inserire dita o altri oggetti nell'uscita dell'aria.
- Non toccare l'ingresso dell'aria o le alette di alluminio dell'unità.
- Non utilizzare l'unità se è caduta, danneggiata o presenta segni di malfunzionamento del prodotto.
- Non pulire l'apparecchio con sostanze chimiche.
- Assicurarci che l'unità sia lontana da fuoco, oggetti infiammabili o esplosivi
- L'unità deve essere installata in conformità con le normative nazionali sul cablaggio.
- Non utilizzare mezzi per accelerare il processo di scongelamento o per pulire, diversi da quelli raccomandati dal produttore.
- L'apparecchio deve essere riposto in una stanza senza fonti di funzionamento continuo (ad esempio: fiamme libere, un apparecchio a gas in funzione o un riscaldatore elettrico in funzione).
- L'apparecchio deve essere riposto in modo da evitare danni meccanici.
- Non tagliare o bruciare l'apparecchio, neppure dopo l'uso.
- Bisogna tener presente che i refrigeranti potrebbero non contenere odori.
- Le tubazioni devono essere protette da danni fisici e non devono essere installate in uno spazio non ventilato, se tale spazio è inferiore a 4 m<sup>2</sup>.
- Rispettare le normative nazionali concernente gli apparecchi a gas.
- Mantenere le aperture di ventilazione libere da ostruzioni.
- L'apparecchio deve essere riposto in un'area ben ventilata in cui le dimensioni dell'ambiente corrispondono all'area dell'ambiente specificato per il funzionamento.



Chiunque lavori su un circuito di refrigerazione deve essere in possesso di un certificato valido rilasciato da un'autorità di valutazione accreditata, che autorizza la propria competenza a gestire i refrigeranti in modo sicuro, conformemente alle specifiche riconosciute in tale settore.



Le riparazioni all'installazione devono essere eseguite solo secondo le raccomandazioni del produttore. La manutenzione e le riparazioni richiedono l'assistenza di personale qualificato e vengono eseguite sotto la supervisione di una persona competente nell'uso di refrigeranti infiammabili.

Se ci sono problemi che non capisci o se hai bisogno di aiuto, contatta il rivenditore autorizzato.

## B. PRECAUZIONI DI SICUREZZA SULLA MANUTENZIONE

Si prega di seguire questi avvertimenti durante la manutenzione di un deumidificatore con R290.

### i. Controlli nell'area

Prima di iniziare a lavorare su sistemi contenenti refrigeranti infiammabili, sono necessari controlli di sicurezza per garantire che il rischio di accensione sia ridotto al minimo. Per la riparazione del sistema di refrigerazione, devono essere rispettate le seguenti precauzioni prima di eseguire lavori sul sistema.

### ii. Procedura di lavoro

I lavori devono essere eseguiti secondo una procedura controllata in modo da ridurre al minimo il rischio di presenza di gas o dei vapori infiammabili durante l'esecuzione del lavoro.

### iii. Area di lavoro

Tutto il personale addetto alla manutenzione e le altre persone che lavorano nell'area locale devono essere istruiti sulla natura del lavoro svolto. Il lavoro in spazi ristretti deve essere evitato. L'area intorno allo spazio di lavoro è delimitata. Assicurarsi che gli spazi nell'area sono stati messi in sicurezza mediante il controllo del materiale infiammabile.

### iv. Verifica della presenza dell'agente refrigerante

L'area deve essere controllata con un rilevatore di gas refrigerante appropriato prima e durante il lavoro, per garantire che il tecnico sia a conoscenza delle atmosfere potenzialmente infiammabili. Accertarsi che l'attrezzatura per il rilevamento delle perdite utilizzata sia idonea all'identificazione di refrigeranti infiammabili, non produce scintille e sia adeguatamente sigillata.

### v. La presenza di estintori

Se si devono eseguire lavori a caldo sull'apparecchiatura di refrigerazione o su qualsiasi parte associata, devono essere disponibili attrezzature antincendio adeguate. Assicurarsi di avere un estintore a polvere o a CO<sub>2</sub> adiacente all'area di lavoro”.

### vi. Nessuna fonte di accensione

Nessuna persona che esegue lavori in un sistema di refrigerazione e che è esposta a un refrigerante infiammabile non deve utilizzare fonti di ignizione per evitare il rischio di incendi o esplosioni. Tutte le possibili fonti di ignizione, incluso il fumo, devono essere tenute abbastanza lontane dal luogo di installazione, riparazione, smantellamento e smaltimento dove è possibile rilasciare refrigerante infiammabile. Prima di eseguire i lavori,

l'area intorno all'installazione deve essere controllata per assicurarsi che non vi siano prodotti infiammabili o rischi di ignizione. Verrà utilizzato il cartello "Non fumare"..

vii. Aarea ventilata

Accertarsi che l'area sia aperta o che sia adeguatamente ventilata prima di eseguire interventi sul sistema o eseguire lavori a caldo. Il grado di ventilazione deve continuare durante il periodo di esecuzione dei lavori. La ventilazione dovrebbe disperdere in sicurezza qualsiasi refrigerante rilasciato e preferibilmente espellerlo esternamente nell'atmosfera.

viii. Controlli all'attrezzatura di refrigerazione

In caso di sostituzione di componenti elettrici, questi devono essere idonei allo scopo e alle specifiche corrette. Seguire sempre le linee guida di manutenzione e assistenza del produttore. In caso di dubbi, consultare l'ufficio tecnico del produttore per assistenza..

I seguenti controlli devono essere applicati agli impianti che utilizzano refrigeranti infiammabili:

- The La dimensione della carica è conforme alla dimensione della stanza in cui sono installate le parti contenenti refrigerante;
- Le macchine e le prese di ventilazione funzionano correttamente e non sono ostruite;
- Se si utilizza un circuito di refrigerazione indiretto, verificare la presenza di refrigerante nel circuito secondario;
- La marcatura sull'apparecchiatura continua a essere visibile e leggibile. Contrassegni e segni illeggibili devono essere corretti;
- I tubi o i componenti di refrigerazione sono installati in una posizione in cui è improbabile che siano esposti a qualsiasi sostanza che possa corrodere i componenti contenenti refrigerante, a meno che i componenti non siano costruiti con materiali intrinsecamente resistenti alla corrosione o adeguatamente protetti contro la corrosione.

ix. Controlli ai dispositivi elettrici

La riparazione e la manutenzione dei componenti elettrici comprendono controlli di sicurezza iniziali e procedure di ispezione dei componenti. Se esiste un guasto che potrebbe compromettere la sicurezza, nessuna alimentazione elettrica deve essere collegata al circuito fino a quando non viene risolto in modo soddisfacente. Se l'errore non può essere corretto immediatamente ma è necessario per continuare il funzionamento, deve essere utilizzata una soluzione temporanea adeguata. Questo deve essere segnalato al proprietario dell'apparecchiatura in modo che tutte le parti siano avvisate.

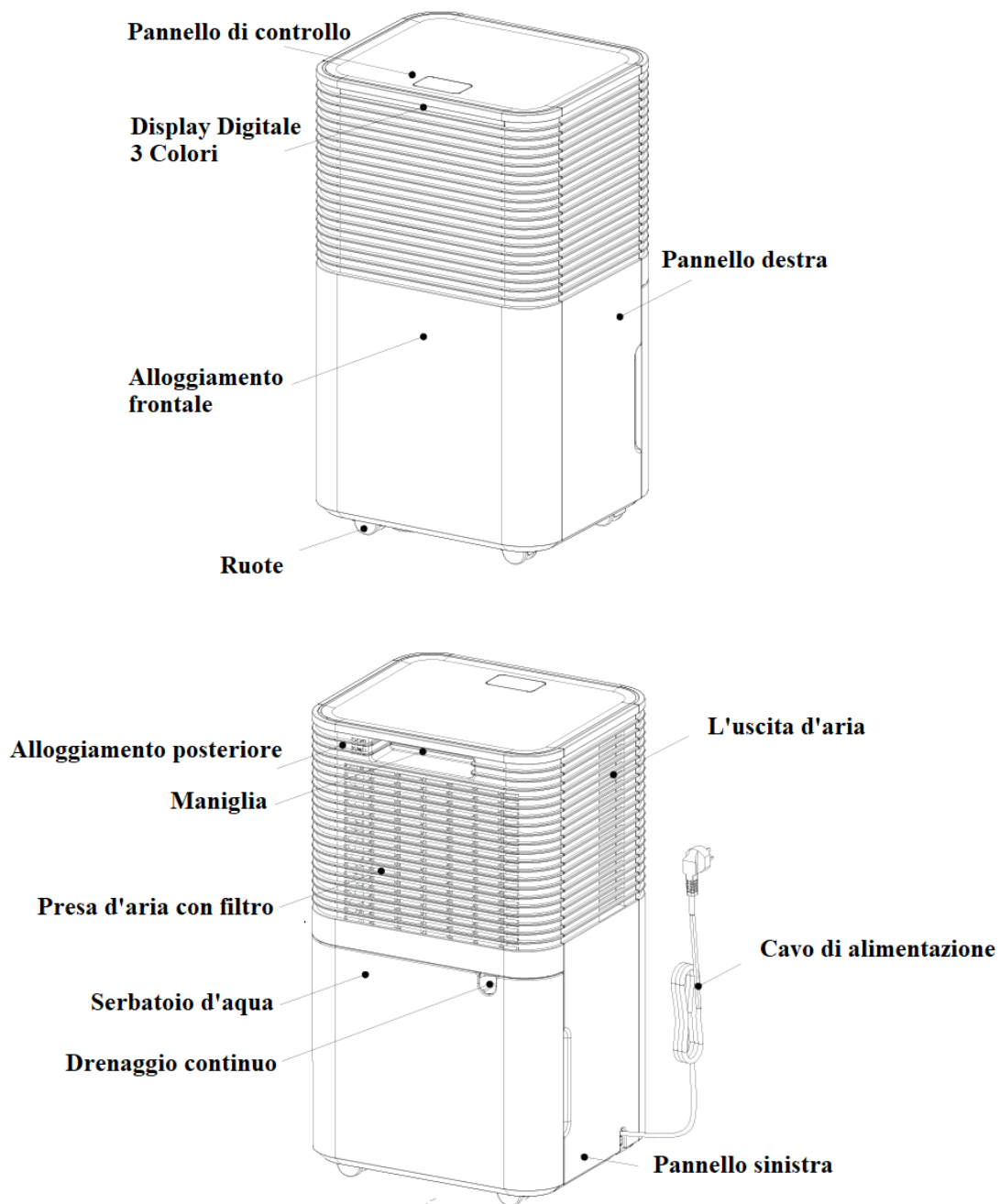
**I controlli di sicurezza iniziali comprendono:**

- Tali condensatori sono scaricati: questo deve essere fatto in modo sicuro per evitare le scintille.
- i componenti elettrici e i cavi non sono in tensione anche durante la carica, il recupero o lo spurgo del sistema

- La messa a terra

### 3. PRESENTAZIONE DEL PRODOTTO

#### A. VISTA ANTERIORE E POSTERIORE



## B. CARATTERISTICHE

- Potente rimozione dell'umidità (fino a 12 L / giorno)
- Il monitor dell'umidità mostra l'umidità attuale dell'aria
- La modalità automatica regola automaticamente i livelli di umidità
- Timer 24 ore per impostare l'orario di funzionamento
- Rimuove efficacemente umidità, polvere dall'aria
- Basso consumo energetico ed efficienza energetica
- La ventola silenziosa ha due velocità
- Sbrinamento automatico a bassa temperatura
- Spegnimento automatico / riavvio automatico
- Controllo elettronico
- Drenaggio continuo
- Serbatoio dell'acqua da 2 litri

## C. SPECIFICHE TECNICHE

<b>MODELLO</b>	<b>EPI 12/ 12 wifi</b>
Capacità di deumidificazione	<b>12L/giorno (30°C, 80%)</b>
Alimentazione	<b>AC220-240V/50Hz</b>
Consumo di energia	<b>200W/1.2A (30°C, 80%)</b>
Livello di rumore	<b>≤38dB(A)</b>
Capacità del serbatoio dell'acqua	<b>2.0L</b>
Carica massima di refrigerante	<b>R290/50g</b>
Peso netto	<b>10kg</b>
Pressione Massima di Progetto	<b>Alta: 3.2MPa Bassa:0.7MPa</b>
Dimensioni minime della stanza	<b>4 m<sup>2</sup> (Superficie del pavimento)</b>
Dimensione	<b>255x220x4745 mm</b>
Tipo e classificazione del fusibile:	<b>T-Type, AC 250V, 3.15A</b>

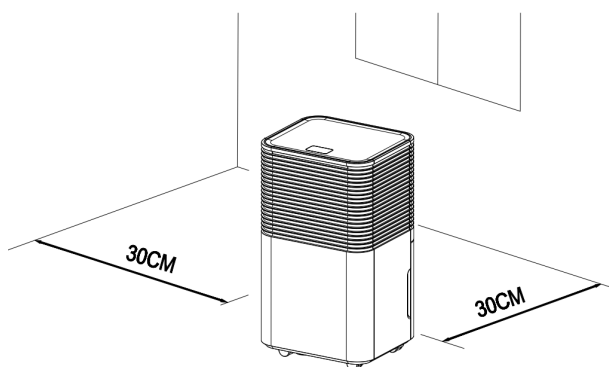
## 4. INSTALLAZIONE

### A. POSIZIONAMENTO DEL DEUMIDIFICATORE

Posizionare l'unità su una superficie stabile e piana in un'area con almeno 30 cm di spazio libero attorno per consentire una corretta circolazione dell'aria.

**Non installare mai l'unità dove potrebbe essere soggetta a:**

- Fonti di calore come radiatori, stufe o altri prodotti che producono calore.
- In un'area in cui potrebbe essere spruzzato olio o acqua.
- La luce diretta del sole
- Vibrazioni meccaniche o urti
- Polvere eccessiva
- Mancanza di ventilazione, ad esempio armadio o libreria
- Superficie irregolare



#### ATTENZIONE

Installare l'unità in stanze che superano i 4 m<sup>2</sup>.

Non installare l'unità in un luogo in cui potrebbero fuoriuscire gas infiammabili.



#### NOTA

Il produttore può fornire altri esempi adatti o ulteriori informazioni sull'odore del refrigerante.

### B. AZIONARE IL DISPOSITIVO IN MODO SICURO

- Controllare il dispositivo dopo averlo disimballato per eventuali danni o graffi su di esso.
- Azionare questa unità a temperatura ambiente da 5°C a 35°C.
- Non utilizzare all'aperto. Questo deumidificatore è destinato esclusivamente ad applicazioni residenziali in interni.
- Non operare in prossimità di pareti, tende o altri oggetti che potrebbero bloccare

l'ingresso e l'uscita dell'aria.

- Mantenere l'ingresso e l'uscita dell'aria liberi da ostacoli.
- Regolare il deflettore del vento nella direzione verso l'alto prima dell'avvio.
- Se inclinato di oltre 45 °, lasciare che l'unità rimanga in posizione verticale per almeno 24 ore prima dell'avvio.
- Tenere chiuse porte e finestre per un migliore risparmio energetico.
- Non utilizzare o conservare l'unità alla luce diretta del sole o alla pioggia.
- È normale che l'uscita dell'aria sia calda dopo un funzionamento continuo nelle giornate calde.
- Svuotare il serbatoio dell'acqua prima di spostare il dispositivo.
- Accertarsi che il serbatoio dell'acqua sia installato correttamente, altrimenti l'unità non funzionerà correttamente.
- Il deumidificatore si avvia nella modalità selezionata all'ultimo utilizzo dell'unità.
- Il deumidificatore inizia la deumidificazione se l'umidità della stanza è del 3% superiore all'umidità selezionata.
- C'è un ritardo di 3 minuti al termine del quale il compressore riprende a funzionare. Attendere 3 minuti affinché il deumidificatore riprenda la deumidificazione.

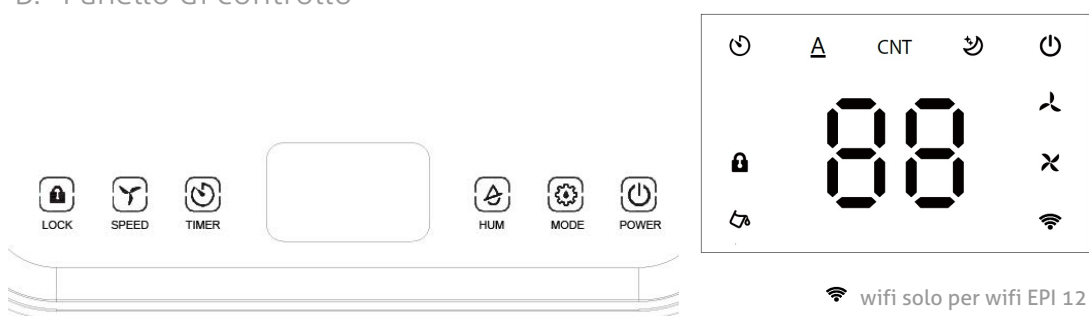
## 5. FUNZIONAMENTO

### A. Indicatore di umidità LED a 3 colori sulla parte frontale dell'unità

**Indicatore LED blu** - il livello di umidità nella stanza è inferiore al 45% **Indicatore LED verde** - l'umidità nella stanza è tra il 45% e il 65% **Indicatore LED rosso** - il livello di umidità nella stanza è superiore al 65%

Se i messaggi E0, E2, CL, CH, LO, HI vengono visualizzati sul display, la luce dell'indicatore sarà rossa.

### B. Pannello di controllo



#### **Pulsante di accensione (POWER)**

Dopo l'accensione, tutti gli indicatori e il display si illuminano per 1 secondo, dopodiché si spengono. Dopo il segnale acustico, l'indicatore di accensione si illumina e l'unità entra in modalità standby. Premere di nuovo questo pulsante e l'unità inizierà con i seguenti valori predefiniti: umidità 60% RH, modalità di funzionamento automatico e ventilatore ad alta velocità. Premere di nuovo questo pulsante per spegnere l'unità e la ventola.





### Modalità di funzionamento (MODE)

#### Modalità automatica (AUTO) – modalità di deumidificazione continua

(CONTINUOUS DRY) – modalità di sospensione (SLEEP), premere una volta per passare da una modalità all'altra, l'indicatore corrispondente si illumina.

- **Modalità automatica:** quando l'umidità ambientale  $\geq$  l'umidità imposta 3%, la ventola inizia a funzionare e il compressore inizia a funzionare dopo 3 secondi. Quando l'umidità ambientale  $\leq$  l'umidità imposta al -3%, il compressore smette di funzionare e la ventola smette di funzionare dopo 30 secondi di ritardo.
- **La velocità** della ventola e l'umidità possono essere regolate in modalità automatica.
- **Modalità di deumidificazione continua:** L'unità continua a funzionare, ma non è possibile regolare l'umidità.
- **Modalità di sospensione:** Toccare il pulsante di sospensione, il pulsante si illumina e avvia la funzione di sospensione (SLEEP). Se il pannello di controllo non viene utilizzato entro 10 secondi, tutti gli indicatori diventano gradualmente scuri e la velocità della ventola viene automaticamente commutata da alta a bassa. Toccare un pulsante qualsiasi per riattivare l'indicatore della modalità SLEEP. Toccare nuovamente il pulsante MODE per uscire dalla modalità SLEEP.



### FUNZIONE DI TEMPORIZZAZIONE (TIMER)

Premere il pulsante TIMER per impostare la funzione di temporizzazione 0-12 ore.

L'intervallo di impostazione è di 1 ora. Ogni volta che si preme questo pulsante, il valore aumenta di 1 ora e quindi il valore di temporizzazione corrispondente viene visualizzato sullo schermo. Il valore di impostazione è "00" per annullare la funzione timer. L'indicatore si spegne. Dopo aver impostato il timer, il LED del timer rimane acceso durante il periodo di tempo impostato. Alla fine del periodo impostato, il LED del timer si spegne automaticamente.

In stato di funzionamento, impostare l'ora di spegnimento della l'unità;

In stato di standby/sospensione, impostare l'ora di accensione della l'unità.



### IMPOSTARE L'UMIDITÀ (HUMIDITY SET)

In modalità Auto o SLEEP, premere questo pulsante per impostare il livello di umidità desiderato. L'intervallo di impostazione è l'umidità (passo passo) è 30% - 35% - 40% - 45% - 50% - 55% - 60% - 65% - 70% - 75% - 80%. Premere a lungo il pulsante dell'umidità per visualizzare la temperatura ambiente corrente.

Premere a lungo il pulsante dell'umidità per 3 secondi per visualizzare la temperatura ambiente corrente.



#### **VELOCITÀ DELLA VENTOLA (SPEED)**

La velocità della ventola può essere modificata solo in modalità automatica.

Alta velocità – bassa velocità, premere una volta il pulsante per passare da una all'altra, quindi si accende l'indicatore LED corrispondente.



#### **PROTEZIONE PER I BAMBINI (LOCK)**

Premere a lungo per attivare / disattivare la funzione di protezione per i bambini.

L'indicatore corrispondente si illumina. Tutte le funzioni sono bloccate e non possono essere attivate. Premere di nuovo questo pulsante, l'indicatore si spegne e le funzioni vengono riattivate. Dopo aver spento l'apparecchio, la funzione di protezione per i bambini è disattivata.

#### **A. Drenaggio**

Esistono due modi per rimuovere l'acqua raccolta prodotta dall'unità.

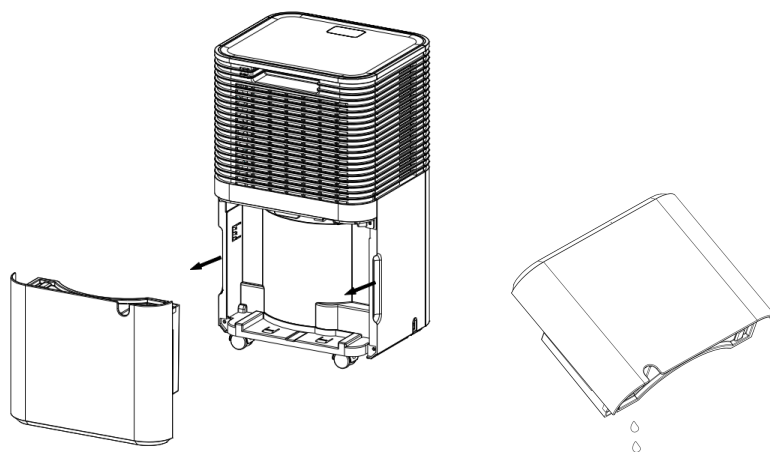
A. Scarico manuale: il serbatoio dell'acqua viene rimosso manualmente.

B. Scarico continuo: collegare un tubo di scarico all'unità in modo che l'acqua di condensa venga scaricata usando la gravità.

#### **B. Svuotare il serbatoio dell'acqua**

L'unità si spegne quando il serbatoio dell'acqua è pieno. Funzionerà di nuovo dopo aver svuotato il serbatoio dell'acqua e averlo reinstallato correttamente. Quando il serbatoio è pieno, l'unità emetterà un ronzio e il LED "Water Full" si accenderà.

- Premere il tasto POWER per spegnere l'unità.
- Tirare il serbatoio dell'acqua ed estrarlo dal corpo del deumidificatore.
- Svuotare l'acqua in un'area con uno scarico o all'esterno.
- Se necessario, pulire l'interno del serbatoio e l'esterno.
- Riposizionare il serbatoio vuoto nell'unità.
- Premere il tasto POWER per riavviare l'unità.
- Se il LED "Water Full" è ancora acceso, verificare che il galleggiante del serbatoio dell'acqua sia posizionato correttamente e privo di blocchi



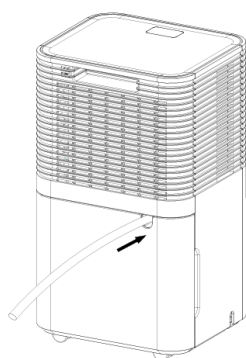
#### ATTENZIONE!

- Non gettare i magneti del serbatoio dell'acqua e i rivetti di plastica. In caso contrario, l'unità non si spegne automaticamente quando il serbatoio dell'acqua è pieno e l'acqua di condensa si rovescia e danneggia il pavimento della stanza.
- Assicurarsi di aver pulito l'acqua di condensa dal serbatoio dell'acqua prima di ripristinare il funzionamento dell'unità.
- Se il serbatoio dell'acqua è sporco, sciacquarlo con acqua pulita. Evitare l'uso di detersivi, sfere di acciaio, polvere, diesel, benzene, diluenti o altri solventi. In caso contrario, il serbatoio dell'acqua verrà danneggiato e può causare perdite di acqua.
- Reinscrivere il serbatoio vuoto nell'unità. Altrimenti, l'indicatore "Water Full" rimane rosso e l'unità non si riavvia.

#### C. Drenaggio continuo

Per il funzionamento continuo o la deumidificazione incustodita, collegare il tubo di scarico all'unità. La condensa viene scaricata liberamente in un secchio o in un foro di drenaggio usando la gravità.

- Posizionare l'unità su una superficie orizzontale e stabile.
- Spegnere l'unità prima di metterla in funzione.



Uscita di drenaggio continuo

#### Per evitare la fuoriuscita di acqua:

1. Non ostruire il tubo di scarico o il foro di drenaggio, altrimenti l'acqua di condensa scorrerà nel serbatoio dell'acqua.
2. Non piegare il tubo di scarico. Il tubo di scarico deve essere inclinato verso il basso.
3. Il tubo di scarico deve essere ben collegato al foro di drenaggio, in modo da evitare perdite dell'acqua sul pavimento.

## 6. MANUTENZIONE

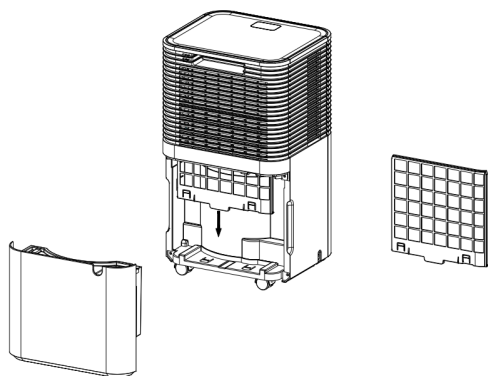
**Nota:** prima di pulire e mantenere l'unità, assicurarsi di spegnerla e scollegarla dalla presa di corrente per evitare scosse elettriche.

### PULIRE IL FILTRO DELL'ARIA

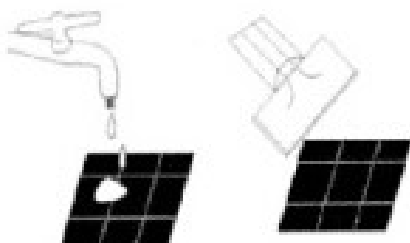
La polvere si deposita sul filtro e limita il flusso d'aria, il che riduce l'efficienza dell'installazione e può danneggiare l'unità.

Il filtro dell'aria richiede una pulizia periodica ed è rimovibile per una facile pulizia. Non utilizzare l'unità senza filtro dell'aria o l'evaporatore potrebbe essere contaminato.

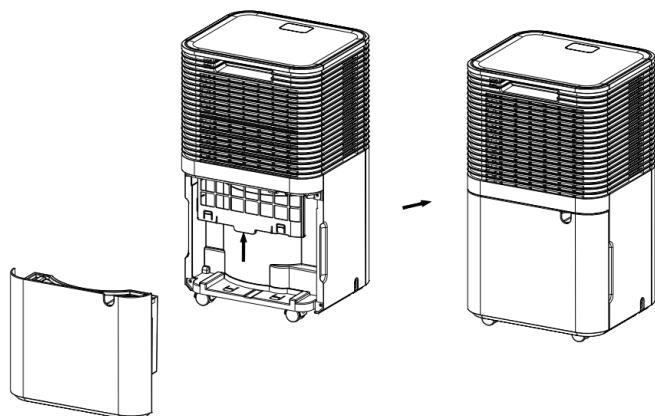
- a) Rimuovere il serbatoio dell'acqua dall'unità, quindi rimuovere il filtro dalla parte inferiore dell'alloggiamento posteriore.



- b) Utilizzare un aspirapolvere per assorbire delicatamente la polvere sulla superficie del filtro. Se il filtro è molto sporco, lavarlo con acqua e un detergente morbido e asciugarlo accuratamente



c) Riposizionare il filtro nella sua posizione iniziale.



## 7. RISOLUZIONE DEI PROBLEMI

### A. FUNCTIONING DI FUNZIONAMENTO

**5°C ≤ Temperatura ambiente ≤ 35°C** Quando la temperatura ambiente è inferiore o superiore alla temperatura di funzionamento, il deumidificatore si arresta.

**When 5°C ≤ Temperatura Ambiente ≤ 16°C**, il compressore si scongela automaticamente a determinati intervalli; durante lo sbrinamento, il compressore si arresta e la ventola continua a funzionare.

### B. PRIMA DI CHIAMARE L'ASSISTENZA

Prima di contattare l'assistenza professionale, consultare l'elenco di risoluzione dei problemi che include eventi comuni che non sono il risultato di un difetto nella lavorazione o nei materiali.

Problem	Possible Cause	Solution
L'unità non	Assenza di corrente.	Collegare l'unità a una presa di corrente

funziona		e accenderla
	L'indicatore "Water Full" è acceso	Svuotare il serbatoio dell'acqua e rimetterlo nel posto giusto.
	Temperatura ambiente <5°C or >35°C	Sistema di protezione installato per proteggere l'unità. L'unità non può funzionare a tale temperatura.
Malfunzionamento	Il filtro dell'aria è bloccato?	Pulire il filtro dell'aria come spiegato in questo manuale
	È bloccato ingresso o uscita dell'aria?	La rimozione di qualsiasi cosa ostruisce l'ingresso o l'uscita dell'aria.
L'ingresso dell'aria non consente il passaggio dell'aria	Il filtro è bloccato?	Pulire il filtro
L'unità emette rumori durante il funzionamento	L'unità è posizionata su una superficie piana e orizzontale	Posizionare l'unità correttamente
	Il filtro è bloccato?	Pulire il filtro
E2	Problemi con il sensore di umidità	Cambia il sensore
LO	Il livello di umidità nella stanza è sceso sotto il 20%	Il deumidificatore si spegne automaticamente per proteggersi
HI	Il livello di umidità nella stanza è aumentato di oltre il 90%	
CL	Protezione a bassa temperatura, quando la temperatura ambiente è <5°C	
CH	Protezione ad alta temperatura quando la temperatura ambiente è >35°C	

## 8. SMALTIMENTO DEL PRODOTTO

### 8.1 STOCCAGGIO


Conservazione a lungo termine – Se non si intende utilizzare l'unità per un lungo periodo di tempo (più di alcune settimane), è meglio pulire l'unità e asciugarla completamente. Conservare l'unità per i seguenti passaggi:

- h) Premere il pulsante di accensione per spegnere e scollegare l'unità.
- i) Scaricare l'acqua rimanente dall'unità.
- j) Pulire il filtro e lasciarlo asciugare completamente in un'area ombreggiata.
- k) Avvolgere il cavo di alimentazione.
- l) Reinstallare il filtro nella sua posizione.
- m) L'unità deve essere mantenuta in posizione verticale durante lo stoccaggio.
- n) Preservare l'unità in luoghi ventilati, asciutti, non corrosivi e sicuri.

**ATTENZIONE:** L'evaporatore all'interno del deumidificatore, dovrebbe essere asciugata prima dell'imballaggio per evitare danni ai componenti e la crescita di muffe. Scollegare l'unità e posizionarla in uno spazio aperto e asciutto per giorni per asciugare bene. Un altro modo per asciugare l'unità è impostare il livello di umidità al 5% sopra l'umidità ambientale, per forzare la ventola ad asciugare l'evaporatore per alcune ore.

## 8.2 SMALTIMENTO



**AVVERTIMENTO!!!** Non rilasciare il refrigerante in atmosfera. È severamente vietato! Non gettare le apparecchiature elettriche tra i rifiuti urbani non differenziati. Utilizzare strutture di raccolta separate. Contattare il governo  locale per informazioni relative ai sistemi di raccolta disponibili. Se gli apparecchi elettrici vengono smaltiti insieme ai rifiuti domestici, le sostanze pericolose possono penetrare nelle acque sotterranee, danneggiando la salute e il benessere delle persone.

# SMART LIFE - MANUALE UTENTE DELL'APP



L'app "Smart Life" è disponibile per Android e iOS. Scansiona con il tuo smartphone il codice QR corrispondente per arrivare direttamente al download.

## Come utilizzare l'app

Questo apparecchio consente di utilizzarlo tramite la rete domestica Wi-Fi. Il prerequisito è una connessione WIFI permanente al router e l'app gratuita "Smart Life".

Si consiglia di scollegare l'apparecchio dalla rete elettrica quando si è fuori casa per evitare accensioni involontarie mentre si è in viaggio!

1. Installa l'app "Smart Life". Crea un account utente.
2. Attiva la funzione WIFI nelle impostazioni del tuo apparecchio: tocca il pulsante TIMER per almeno 5 secondi.
3. Posiziona l'apparecchio a una distanza di circa 5 metri dal router.
4. Finché l'alimentazione è accesa, l'indicatore WIFI lampeggia. Dopo 3 minuti, lo stato verrà annullato se non è presente alcuna configurazione di rete e la spia è spenta. Se è necessario ricollegare il Wi-Fi, toccare a lungo il pulsante "TIMER" per 5 secondi per avviare la configurazione della rete, l'indicatore Wi-Fi lampeggia nuovamente.

## Wi-Fi connesso

### Metodo 1 Connesso tramite Bluetooth

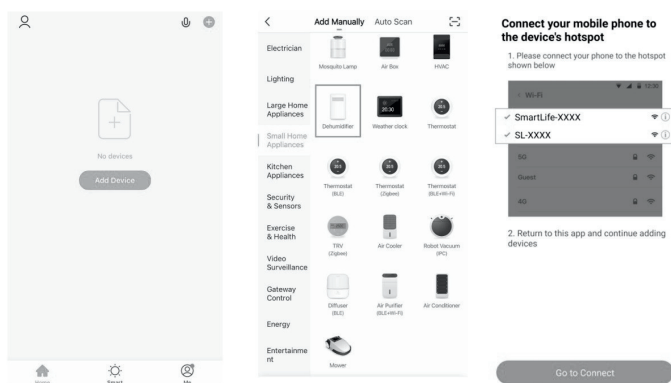
- Apri il Bluetooth del tuo cellulare o altro dispositivo.
- Quando l'indicatore WIFI lampeggia, aprire l'APP "Smart Life" e l'unità si conatterà automaticamente tramite Bluetooth.

### Metodo 2

- Quando l'indicatore WIFI lampeggia, selezionare: **"Aggiungi Dispositivo"** - **"Piccoli Elettrodomestici"** - **"Deumidificatore"** e segui le istruzioni sull'app Smart Life. Controlla lo stato dell'indicatore WIFI e scegli lo stato corretto.
- Se l'indicatore WIFI lampeggia rapidamente, è possibile connettersi direttamente.
- Se l'indicatore WIFI lampeggia lentamente, premere **"Vai a Connetti"** per connettere il Wi-Fi denominato **"SmartLife-XXXX"**.

## Osservazioni

- Una volta che l'apparecchio è stato collegato con successo, la spia WIFI si accende. Ora puoi utilizzare l'apparecchio utilizzando l'app.
- Tenere premuto il pulsante Timer per circa 5 secondi, l'apparecchio si disconnette e la spia WIFI si spegne.



## RISOLUZIONE DEI PROBLEMI

### Connessione di rete non riuscita

Timeout della connessione di rete

### Soluzione

1. Verifica di selezionare il Wi-Fi denominato "SmartLife-XXXX".
2. Spegner la macchina e scollegare il codice di alimentazione e il plug-in dopo 10 secondi, accedere all'app per connettersi nuovamente.

Indicatore Wi-Fi spento

Premere a lungo il pulsante "Timer" o spegnere la macchina e scollegare il codice di alimentazione e il plug-in dopo 10 secondi.

L'hotspot Wi-Fi scompare e la spia Wi-Fi lampeggia

Spegner la macchina e scollegare il codice di alimentazione e il plug-in dopo 10 secondi, accedere all'app per connettersi nuovamente.



# HU:TARTALOM

1.	ELŐTT ELKEZDED	114
2.	A BIZTONSÁGOD ÉRDEKÉBEN TERMÉK	115
3.	ÁTTEKINTÉS	119
4.	TELEPÍTÉS	121
5.	MŰKÖDÉS	122
6.	KARBANTARTÁS	125
7.	HIBAELHÁRÍTÁS	126
8.	LESZERELÉS	127
9.	SMART LIFE APP – használati útmutató	128

Köszönjük, hogy párátlanítónkat választotta.

Használat előtt feltétlenül olvassa el figyelmesen ezt a kézikönyvet.

*Kérjük, gondosan őrizze meg ezt a kézikönyvet további hivatkozás céljából!*

# 1. ELŐTT KEZDETE

**Kérjük, figyelmesen olvassa el a használati utasítást, mielőtt a páratlanítót első alkalommal használja.**

## A. TERMÉKLEÍRÁS

A páratlanító a túlzott nedvesség eltávolítására szolgál a levegőből. A relatív páratartalom ebből eredő csökkenése megvédi az épületeket és azok tartalmát a túlzott páratartalom káros hatásaitól.

A környezetbarát R290 hűtőközegként szolgál. Az R290 nincs káros hatással az ózonrétegre (ODP), elhanyagolható az üvegházhatás (GWP), és világszerte elérhető. Hatékony energiatulajdonságai miatt az R290 kiválóan alkalmas hűtőfolyadékként ehhez az alkalmazáshoz. Különleges óvintézkedéseket kell figyelembe venni a hűtőfolyadék nagy gyúlékonysága miatt.

## B. AZ EGYSÉGEN ÉS A FELHASZNÁLÓI ÚTMUTATÓN TALÁLHATÓ SZIMBÓLUMOK



Ez az egység gyúlékony hűtőközeget használ.  
Ha a hűtőközeg szivárogozik és érintkezik a tűzzel vagy a fűtött részekkel, az káros gázokat fejleszt, és tűzveszélyes.

**Figyelem!**



Használat előtt figyelmesen olvassa el a FELHASZNÁLÓI ÚTMUTATÓT.



További információk a FELHASZNÁLÓI ÚTMUTATÓBAN, SZERVIZKÖNYVBEN és hasonlóknak találhatók.



A szerviz személyzetnek gondosan el kell olvasnia a FELHASZNÁLÓI ÚTMUTATÓT és a SZERVIZ KÉZIKÖNYVET használat előtt.

## C. A BIZTONSÁG ÉRDEKÉBEN MINDIG FIGYELJEN A KÖVETKEZŐKRE

- Ezt a készüléket szakképzett vagy képzett felhasználók üzletekben, könnyűiparban és gazdaságokban, vagy laikusok általi kereskedelmi használatra szánták.
- Ezt a készüléket 8 évesnél idősebb gyermekek, valamint csökkent fizikai, érzékszervi vagy szellemi képességű, illetve tapasztalattal és tudással nem rendelkező személyek használhatják, ha felügyeletet kaptak, vagy utasítást kaptak a készülék biztonságos használatára vonatkozóan, és megértették az ezzel járó veszélyeket.
- Ez a készülék nem játék. A 3 év alatti gyermekeket folyamatosan figyelni kell, és távol kell tartani tőle.
- A tisztítást és a felhasználói karbantartást gyermekek nem végezhetik.
- Az egység csak R-290 (propán) gázzal, mint kijelölt hűtőközeggel használható. A hűtőkör tömített. Csak szakképzett technikus kísérelje meg a javítást!
- Ne engedje ki a hűtőközeget a légkörbe.
- Az R-290 (propán) gyúlékony és nehezebb a levegőnél.
- Először alacsony területeken gyűlik össze, de a ventilátorok keringethetik.
- Ha propángáz van jelen, vagy akár gyanítható is, ne engedje, hogy képzetlen személyzet megpróbálja megtalálni az okot.
- Az egységben használt propángáznak nincs szaga.
- A szagtalanság nem jelzi a kiáramló gáz hiányát.
- Ha szivárgást észlel, azonnal evakuálja az összes személyt az üzletből, szellőztesse ki a helyiséget, és értesítse a helyi tűzoltóságot, hogy értesítse őket, hogy propán szivárgás történt.
- Ne engedjen vissza senkit a helyiségbe, amíg a szakképzett szerviztechnikus meg nem érkezett, és a technikus azt tanácsolja, hogy biztonságosan visszatérhet az üzletbe.
- Tilos nyílt lángot, cigarettát vagy más lehetséges gyújtóforrást használni az egységek belsejében vagy közelében.
- Az alkatrészeket propánra tervezték, nem ösztönzik és nem szikráznak. Az alkatrészeket csak azonos javítóalkatrészekre szabad cserélni.

A FIGYELMEZTETÉS MEGSZEGÉSÉNEK ELMULASZTÁSA ROBBANÁST, HALÁLT, SÉRÜLÉST ÉS TÁRGYI KÁROT VEZETHET



Figyelem!



## 2. AZ ÖN BIZTONSÁGÁÉRT



**Az Ön biztonsága a legfontosabb számunkra!**

**Kérjük, figyelmesen olvassa el ezt a kézikönyvet, és értse meg teljesen a páratlanító használatba vétele előtt.**

## A. ÜZEMELTETÉSI ÓVINTÉZKEDÉSEK

FIGYELMEZTETÉS: a tűz, áramütés, illetve személyi vagy anyagi sérülés kockázatának csökkentése érdekében:

- Ha a tápkábel megsérül, a veszély elkerülése érdekében a gyártónak, annak szervizképviselőjének vagy hasonlóan képzett személynek ki kell cserélnie.
- Az A-súlyozott hangnyomásszint 38 dB alatt van.
- Karbantartás közben a készüléket le kell választani az áramforrásról.
- A készüléket mindig ugyanolyan feszültségű, frekvenciájú és névleges áramforrásról üzemeltesse, ahogyan a termék adattábláján szerepel.
- Mindig földelt konnektort használjon.
- Tisztításkor vagy használaton kívül húzza ki a tápkábelt.
- Ne dolgozzon nedves kézzel. Ügyeljen arra, hogy ne folyjon víz a készülékre.
- Ne merítse víz alá, és ne tegye ki a készüléket esőnek, nedvességnek vagy más folyadéknak.
- Ne hagyja felügyelet nélkül működő egységet. Ne döntse meg vagy fordítsa meg az egységet.
- Ne húzza ki a konnektorból, amíg a készülék működik.
- Ne a tápkábelnél fogva húzza ki.
- Ne használjon hosszabbítót vagy adapterdugót.
- Ne tegyen tárgyakat a készülékre.
- Ne mászon fel vagy üljön rá a készülékre.
- Ne dugja be ujjait vagy más tárgyat a levegőkimenetbe.
- Ne érintse meg az egység levegőbemenetét vagy alumínium bordáit.
- Ne működtesse a készüléket, ha leesett, megsérült vagy a termék hibás működésére utaló jeleket mutat.
- Ne tisztítsa a készüléket semmilyen vegyszerrel.
- Győződjön meg arról, hogy az egység távol van tűztől, gyúlékony vagy robbanásveszélyes tárgyaktól.
- Az egységet a nemzeti huzalozási előírásoknak megfelelően kell telepíteni.
- Ne használjon olyan eszközöket a leolvasztási folyamat felgyorsítására vagy a tisztításra, amelyeket a gyártó javasol.
- A készüléket olyan helyiségben kell tárolni, ahol nincsenek folyamatosan működő források (például: nyílt láng, működő gázkészülék vagy működő elektromos fűtőtest).
- A készüléket úgy kell tárolni, hogy elkerülje a mechanikai sérüléseket.
- Ne darabolja vagy égesse el, még használat után sem.
- Ügyeljen arra, hogy a hűtőközegek nem tartalmazhatnak szagot.
- A csővezetékeket védeni kell a fizikai sérülésektől, és nem szabad szellőzetlen térben elhelyezni, ha ez a tér kisebb, mint 4 m<sup>2</sup>.
- Be kell tartani a nemzeti gázszabályozást.
- A szükséges szellőzőnyílásokat tartsa távol az akadályoktól.
- A készüléket jól szellőző helyen kell tárolni, ahol a helyiség mérete megfelel a működésre előírt helyiségnek.



Minden olyan személynek, aki részt vesz a hűtőközeg-körön végzett munkában vagy annak feltörésében, rendelkeznie kell egy, az iparágban akkreditált értékelésből származó érvényes tanúsítvánnyal.

hatóság, amely felhatalmazza kompetenciájukat a hűtőközegek biztonságos kezelésére egy iparági, elismert értékelési előírás szerint.



A szervizelést csak a berendezés gyártója által javasolt módon szabad elvégezni.

A más szakképzett személyzet segítségét igénylő karbantartást és javítást a gyűlékony hűtőközegek használatában jártas személy felügyelete mellett kell elvégezni.

Ha valamit nem ért, vagy segítségre van szüksége, kérjük, forduljon a márkaszervizhez.

## B. BIZTONSÁGI ÓVINTÉZKEDÉSEK A SZERVIZTEL SORÁN

Kérjük, kövesse ezeket a figyelmeztetéseket, amikor a következőket kell tennie egy R290-es páráatlanító szervizeléskor.

- i. A terület ellenőrzése A gyűlékony hűtőközegeket tartalmazó rendszereken végzett munka megkezdése előtt biztonsági ellenőrzéseket kell végezni, hogy a gyulladás veszélye minimális legyen. A hűtőrendszer javításakor a következő óvintézkedéseket kell betartani a rendszeren végzett munkák előtt.
- ii. Munkamenet A munkát ellenőrzött eljárás szerint kell végezni, hogy minimálisra csökkentsék annak kockázatát, hogy a munkavégzés során gyűlékony gáz vagy gőz jelen legyen.
- iii. Általános munkaterület Az összes karbantartó személyzetet és a helyi területen dolgozó másokat tájékoztatni kell az elvégzett munka jellegéről. Kerülni kell a zárt térben végzett munkát. A munkaterület körüli területet le kell választani. Győződjön meg arról, hogy a területen belül a körülményeket biztonságossá tették a gyűlékony anyagok ellenőrzésével.
- iv. Hűtőközeg jelenlétének ellenőrzése A munkavégzés előtt és közben megfelelő hűtőközeg-érzékelővel ellenőrizni kell a területet, hogy a technikus tisztában legyen a potenciálisan gyűlékony légkörrel. Győződjön meg arról, hogy a használt szivárgásérzékelő berendezés alkalmas gyűlékony hűtőközegekkel való használatra, azaz szikramentes, megfelelően tömített vagy gyújtószikramentes.
- v. Tűzoltó készülék megléte Ha a hűtőberendezésen vagy bármely kapcsolódó alkatrészén hőmunkát kell végezni, megfelelő tűzoltó berendezést kell kéznél tartani. Legyen száraz por vagy CO2 tűzoltó készülék a töltési terület mellett.
- vi. Gyújtóforrás tilos. Senki, aki olyan hűtőrendszerrel kapcsolatos munkát végez, amely során gyűlékony hűtőközeget tartalmazó vagy tartalmazott csővezetéseket tesz közzé, nem használhat olyan gyújtóforrást, amely tűz- vagy robbanásveszélyt okozhat. Minden lehetséges gyújtóforrást, beleértve a dohányzást is, kellően távol kell tartani a telepítés, javítás, eltávolítás és ártalmatlanítás helyétől, amely során gyűlékony hűtőközeg

esetleg kiengedhető a környező térbe. A munka megkezdése előtt a berendezés körüli területet fel kell mérni, hogy megbizonyosodjon arról, hogy nincs tűzveszélyes vagy gyulladási veszély. „Dohányozni tilos” táblákat kell kihelyezni.

vii. Szellőztetett terület Győződjön meg arról, hogy a terület szabadban van, vagy megfelelően szellőztetett, mielőtt betörne a rendszerbe, vagy bármilyen meleg munkát végezne. A munkavégzés időtartama alatt bizonyos fokú szellőzést kell biztosítani. A szellőzőrendszernek biztonságosan el kell oszlatnia minden kibocsátott anyagot hűtőközeget, és lehetőleg kívülről engedje ki a légkörbe.

viii. A hűtőberendezés ellenőrzése Ha elektromos alkatrészeket cserélnek, azoknak meg kell felelniük a célnak és a megfelelő specifikációnak. Mindig be kell tartani a gyártó karbantartási és szervizelési irányelveit. Ha kétségei vannak, forduljon a gyártó műszaki osztályához támogatás.

A következő ellenőrzéseket kell alkalmazni a gyúlékony hűtőközeget használó berendezésekre:

A töltet mérete összhangban van a helyiség méretével, amelyben a hűtőközeg található tartalmaz részek vannak felszerelve;

A szellőztető gépek és a kimenetek megfelelően működnek, és nem akadályozott;

Ha közvetett hűtőkört használnak, a szekunder körnek kell lennie ellenőrizni kell a hűtőközeg jelenlétét;

A berendezés jelölése továbbra is látható és olvasható. Jelölések és jelek az olvashatatlanokat ki kell javítani; a hűtőcsövet vagy -alkatrészeket olyan helyre szerelték be, ahol nem valószínű, hogy olyan anyagok hatásának vannak kitéve, amelyek korrodálhatják a hűtőközeget tartalmazó alkatrészeket, kivéve, ha az alkatrészek olyan anyagokból készülnek, amelyek eleve ellenállnak a korrózióknak, vagy megfelelően védve vannak a korrózió ellen. korrodált.

ix. Az elektromos eszközök ellenőrzése Az elektromos alkatrészek javításának és karbantartásának magában kell foglalnia a kezdeti biztonsági ellenőrzéseket és az alkatrészek ellenőrzési eljárásait. Ha olyan hiba áll fenn, amely veszélyeztetheti a biztonságot, akkor az áramkört nem szabad az áramkörbe csatlakoztatni, amíg azt kielégítően meg nem oldják. Ha a hibát nem lehet azonnal kijavítani, de az üzemelés folytatása szükséges, megfelelő ideiglenes megoldást kell alkalmazni. Ezt jelenteni kell a berendezés tulajdonosának, így minden felet tájékoztatni kell.

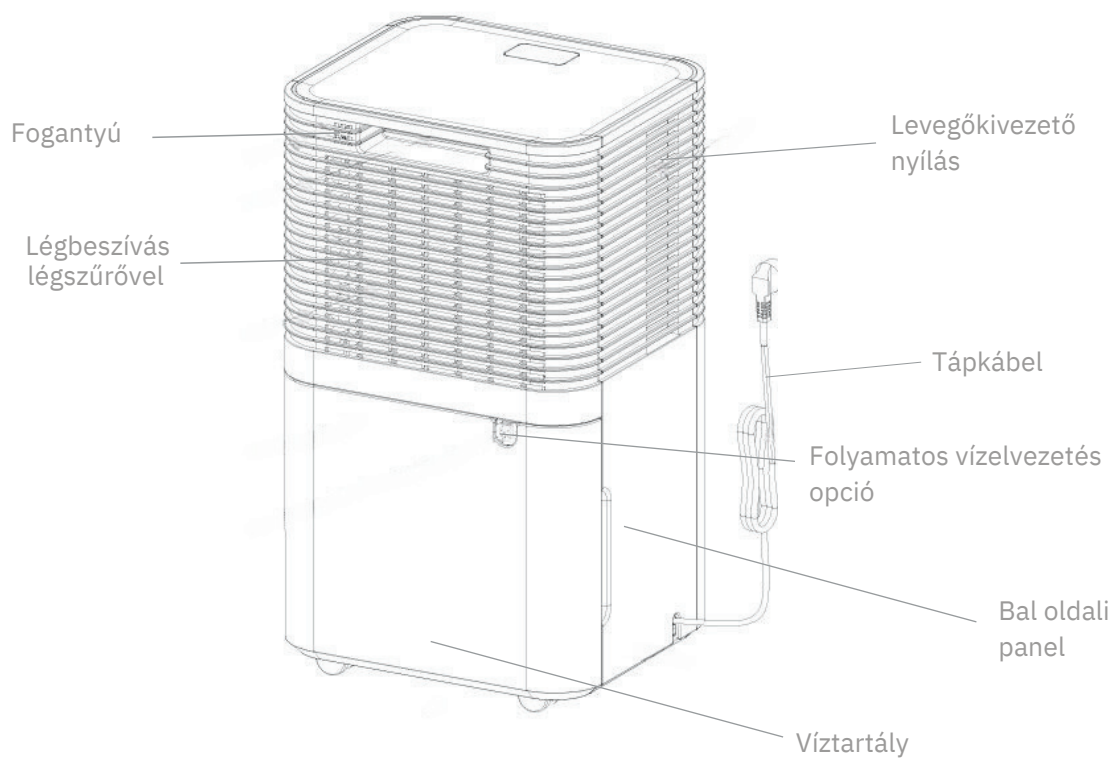
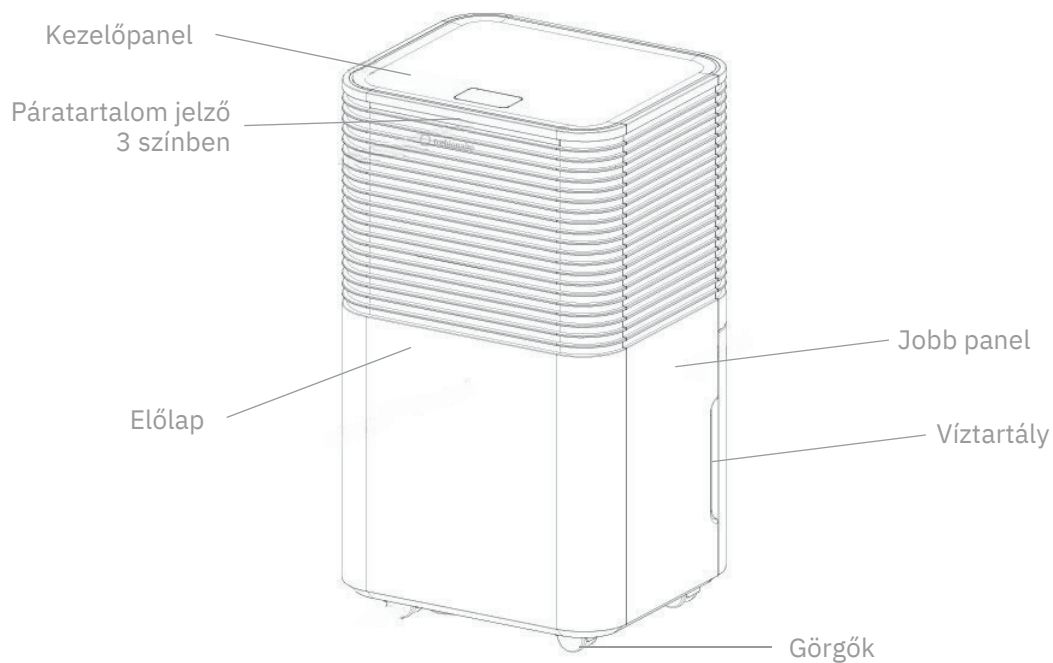
A kezdeti biztonsági ellenőrzések a következőket tartalmazzák:

Ezek a kondenzátorok lemerültek: ezt biztonságos módon kell megtenni, elkerülendő szikraképződés lehetősége;

hogy töltés közben ne legyenek szabadon feszültség alatt álló elektromos alkatrészek és vezetékek, a rendszer helyreállítása vagy tisztítása; Hogy a földkötés folytonossága

### 3. TERMÉK ÁTTEKINTÉSE

#### A. ELŐLÉS ÉS HÁTSÓ NÉZET



## B. JELLEMZŐK

- Erőteljes nedvességeltávolítás
- A páratartalom monitor mutatja a levegő aktuális páratartalmát
- Az automatikus mód automatikusan beállítja a páratartalom szintjét
- 24 órás időzítő a működési idő beállításához
- Hatékonyan távolítja el a nedvességet, port a levegőből
- Alacsony energiafogyasztás – energiatakarékos
- A csendes ventilátor két sebességbeállítással rendelkezik
- Automatikus leolvasztás alacsony hőmérsékleten
- Automatikus kikapcsolás/automatikus újraindítás
- Elektronikus érintésvezérlés
- Ruhaszáritás funkció (folyamatos párátlánítás)
- Folyamatos vízvezetés
- 2 literes víztartály
- WIFI csatlakozás (ilyen típusú csatlakozással felszerelt modelleknél)

## C. MŰSZAKI ELŐÍRÁSOK

<b>MODELL</b>	<b>EPI 12/ 12 WIFI</b>
Párátlánítási kapacitás	12L/nap (30°C, 80%) AC220-
Tápegység	240V/50Hz
Energiafelhasználás	200W/ 1.2A
Zaj	≤38 dB(A)
Víztartály kapacitása	2L
Maximális hűtőközeg-töltés	R290/ 50g
Nettó tömeg	10 kg
Maximális tervezési nyomás	Magas: 3.2MPa/ Alacsony: 0.7MPa
Minimális szobaméret	4 m <sup>2</sup> (alapterület)
Méretek	255 x 220 x 445 mm



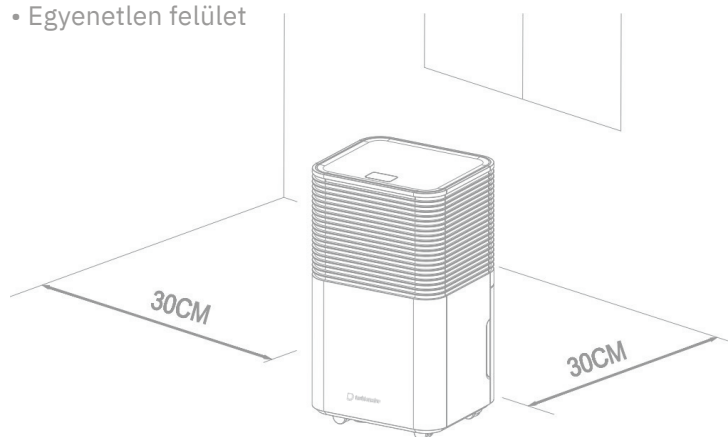
## 4. TELEPÍTÉS

### A. A PÁRÁTARTÓ ELHELYEZÉSE

Helyezze a készüléket szilárd, vízszintes felületre olyan helyre, ahol legalább 30 cm szabad hely van körülötte, hogy biztosítsa a megfelelő levegőáramlást.

Soha ne telepítse az egységet olyan helyre, ahol ki van téve:

- Hőforrások, például radiátorok, hőregiszterek, kályhák vagy egyéb hőtermelő termékek.
- Olyan helyen, ahol olaj vagy víz fröccsenhet ki
- Közvetlen napfény
- Mechanikai vibráció vagy ütés
- Túl sok por
- A szellőzés hiánya, például szekrény vagy könyvespolc
- Egyenetlen felület



**FIGYELMEZTETÉS** - Az egységet 4 m<sup>2</sup>-nél nagyobb helyiségekben telepítse.  
Ne telepítse az egységet olyan helyre, ahol gyúlékony gáz szivároghat.



**JEGYZET** - A gyártó kínálhat más megfelelő példát, vagy további információkat adhat a hűtőközeg szagáról.

### B. A KÉSZÜLÉK BIZTONSÁGOS HASZNÁLATA

- Kicsomagolás után ellenőrizze a készüléket, hogy nincs-e rajta sérülés vagy karc.
- A készüléket 5°C és 35°C közötti környezeti hőmérsékleten használja.
- Ne használja a szabadban. Ez a páratlanító csak beltéri lakossági használatra készült.
- Ne működtesse falak, függönyök vagy más olyan tárgyak közvetlen közelében, amelyek elzárhatják a be- és kimenetet.
- Tartsa akadálymentesen a levegő be- és kimenetét.

Indítás előtt állítsa be a szélterelőt felfelé.

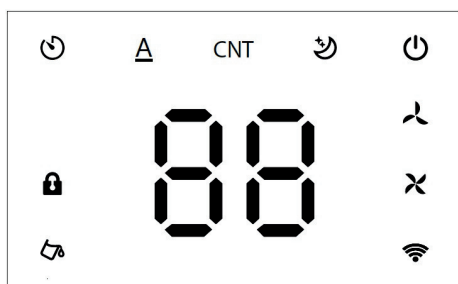
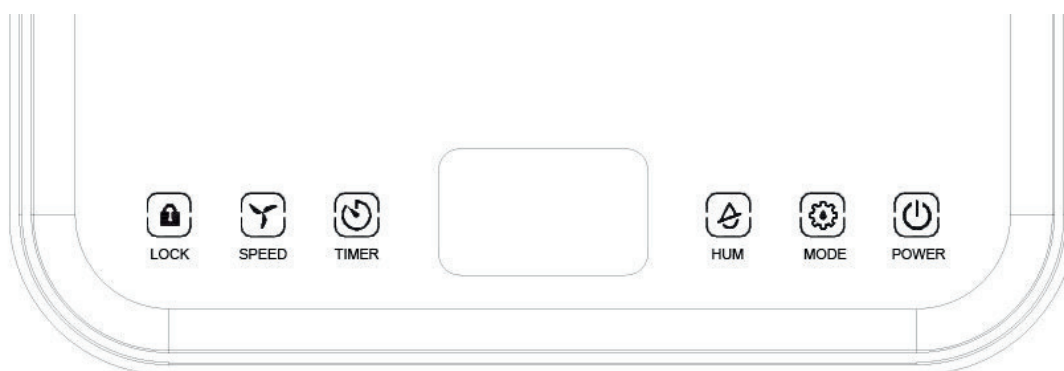
- Ha 45°-nál nagyobb szögben billen, hagyja, hogy az egység legalább 24 órán keresztül függőlegesen álljon az indítás előtt.
- Tartsa zárva az ajtókat és ablakokat a jobb energiamegtakarítás érdekében. Ne működtesse és ne tárolja a készüléket közvetlen napfényben vagy esőben. Normális, hogy a forró napokon történő folyamatos működés után a levegő kilépőnyílása melegen érezhető.

- A készülék mozgatása előtt ürítse ki a víztartályt. Győződjön meg arról, hogy a víztartály megfelelően van felszerelve, különben a készülék nem fog megfelelően működni.
- A párátlanító a legutóbbi használatkor kiválasztott üzemmódban indul el.
- A párátlanító megkezdje a párátlanitást, ha a helyiség páratartalma 3%-kal magasabb, mint a kiválasztott páratartalom.
- A kompresszor 3 perces védő késleltetést kapott. Várjon 3 percet, amíg a párátlanító folytatja a párátlanitást.

## 5. MŰKÖDÉS

### Kezelőpanel

Kék LED jelző – a helyiség páratartalma 45%-nál alacsonyabb  
 Zöld LED jelző – a helyiség páratartalma 45% és 65% között van  
 Piros LED jelző – a helyiség páratartalma 65%-nál magasabb  
 Ha az E0, E2, CL, CH, LO, HI LED kijelzők pirosan világítanak.



📶 wifi csak EPI 12 wifi-hez

### 🔌 ERŐ

A bekapcsolás után az összes jelzőfény és a képernyő 1 másodpercig bekapcsol, majd kikapcsol. Csengő hangjelzés után a tápellátás jelzőfénye világít, és a gép készenléti módba kerül. Nyomja meg ezt a gombot, a gép elindul, a gép kezdeti páratartalma 60%RH, alapértelmezett automatikus üzemmód és erős szélüzem. Nyomja meg újra ezt a gombot, a gép leáll, és a ventilátor leáll.

## **MODE**

**Auto mód - Folyamatos szárítási mód - Alvó üzemmód ciklus**, nyomja meg egyszer az üzemmódok közötti váltáshoz, a megfelelő jelzőfény világít.

- **Automatikus mód:** ha a környezeti páratartalom  $\geq 3\%$ , a ventilátor működésbe lép, a kompresszor pedig 3 másodperc múlva kezd működni. Ha a környezeti páratartalom  $\leq$  beállított páratartalom  $-3\%$ , a kompresszor leáll, és a ventilátor 30 másodperc késleltetés után leáll. A ventilátor sebessége és a páratartalom is beállítható automatikus módban.

- **Folyamatos szárítási mód:** A gép tovább működik, de a páratartalom nem állítható.

- **Alvó üzemmód:** Érintse meg az alvó gombot, a gomb világít, és elindítja az alvás funkciót. Ha 10 másodpercig nem történik művelet, minden jelzőfény fokozatosan elsötétül, és a szél sebessége automatikusan magasról alacsonyra vált. Érintse meg bármelyik gombot a visszajelző felébresztéséhez. Az alvó üzemmódból való kilépéshez érintse meg ismét az alvó gombot. Alvó üzemmódban a hibakód nem jelenik meg, a szél sebessége nem állítható, és a páratartalom állítható.

## **IDŐZÍTŐ**

Nyomja meg ezt a gombot az időzítő funkció 0-24 órás beállításához. Az intervallum 1 óra. Minden alkalommal, amikor megnyomja ezt a gombot, az érték 1 órával nő, majd a megfelelő időzítési érték jelenik meg a képernyőn. A beállítási érték „00” az időzítő funkció törléséhez. A jelzőfény kialszik. Az időzítő beállítása és befejezése után az időzítő LED világít az időzítési időszakban. Az időzítés lejártá után az időzítő LED automatikusan kialszik. Működési állapotban állítsa be a gép kikapcsolásának idejét; készenléti állapotban állítsa be a gép bekapcsolásának idejét.

## **PÁRA BEÁLLÍTÁS**

Automatikus vagy alvó üzemmódban ezzel a gombbal állíthatja be a beállított páratartalmat: minden alkalommal, amikor megnyomja a beállított páratartalmat 5%-kal növeli a 30%-80%-os ciklusnak megfelelően. Nyomja meg hosszan ezt a gombot az aktuális szobahőmérséklet lekérdezéséhez, dupla nyolc lámpa mutatja az aktuális szobahőmérsékletet 5 másodperccel az automatikus visszatérés után az aktuális páratartalom megjelenítéséhez. Ha ezt a gombot hosszan lenyomva tartja, akkor a környezeti hőmérséklet jelenik meg.

## **VENTILÁTOR SEBESSÉG (SPEED)**

A szélesebbesség csak automata üzemmódban állítható. Nyomja meg ezt a gombot a nagy és alacsony szélesebbesség váltásához. A megfelelő szélesebbesség-jelző világít.

## **GYERMEKZÁR (ZÁR)**

Nyomja meg hosszan ezt a gombot a gyermekzár funkció megnyitásához. Nyomja meg hosszan ezt a gombot a gyermekzár funkció megnyitásához. A gyermekzár jelzőfénye világít. Az összes kulcs le van zárva és nem működtethető. Nyomja meg újra ezt a gombot, a jelzőfény kialszik, és a gomb visszaáll. Nyissa meg a gyermekzár funkciót mindaddig, amíg a leállítás vagy a kikapcsolás automatikusan törli a gyermekzár funkciót.

#### A. Vízelvezetés

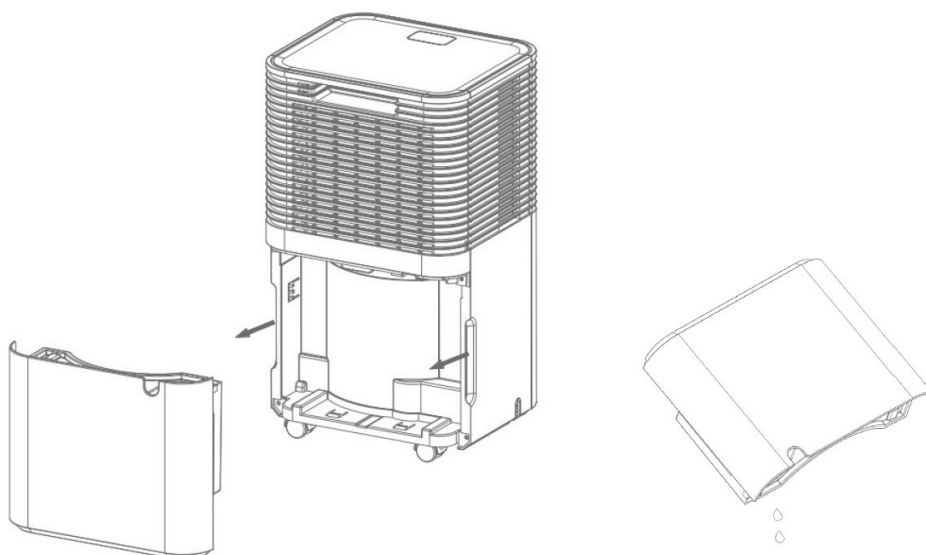
Az egység által termelt összegyűjtött víz eltávolításának két módja van.

- a) Kézi leeresztés: a víztartályt kézzel kell eltávolítani.
- b) Folyamatos leeresztés: csatlakoztasson egy leeresztő tömlőt az egységhez, hogy a kondenzvíz a gravitáció segítségével távozzon.

#### B. A víztartály ürítése

Amikor a tartály megtelt, az egység zümmögő hangot ad, és a „Water Full” jelzőfény kigyullad.

- Nyomja meg a POWER gombot az egység kikapcsolásához.
- Húzza meg a víztartályt, és csúsztassa ki a páratlanító testéből.
- Egyenítse ki a vizet egy lefolyóval ellátott területre vagy azon kívül.
- Tisztítsa meg a tartály belsejét, ha szükséges, valamint a külsejét is.
- Helyezze vissza az üres tartályt az egységbe.
- Nyomja meg a POWER gombot a működés folytatásához.
- Ha a „Water Full” LED továbbra is világít, ellenőrizze, hogy a víztartály úszója megfelelően van-e elhelyezve, és nincs-e akadály.



#### FIGYELEM

- Ne dobja ki a víztartály mágneseit és műanyag szegecseit. Ellenkező esetben a gép nem áll le automatikusan, ha a víztartály megtelik, és a kondenzvíz túlcserdul és károsítja a helyiség padlóját.

- A visszaállítás előtt feltétlenül tisztítsa meg a kondenzvizet a víztartályban a gép munkamódja.

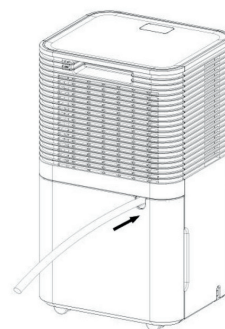
#### C. Folyamatos vízelvezetés

Folyamatos működéshez vagy felügyelet nélküli páratlanításhoz csatlakoztassa a mellékelt leeresztőtömlőt az egységhez. A kondenzvíz a gravitáció segítségével szabadon lefolyik egy vödör vízelvezető nyílásba.

1. Egyenesítse ki a vízelvezető csövet
2. Helyezze a lefolyó egyik végét a lefolyóba a ciszterna nyílásába, a másik végét pedig csatlakoztassa a fürdőszobához, kültéri vagy vödörszerű tartályhoz, vagy az előírt vízelvezető területhez.

- Kérjük, ne zárja el a lefolyó- vagy lefolyócsövet, ha az eltömődés jelensége esetén kondenzvíz folyik a víztartályba.
- Kérjük, ne hajlítsa meg a lefolyócsövet. A lefolyócső magassága alacsonyabb legyen, mint a kimenet.
- A lefolyócsövet biztonságosan kell csatlakoztatni a kimenethez;

Folyamatos  
vízelvezető  
kivezetés



## 6. KARBANTARTÁS

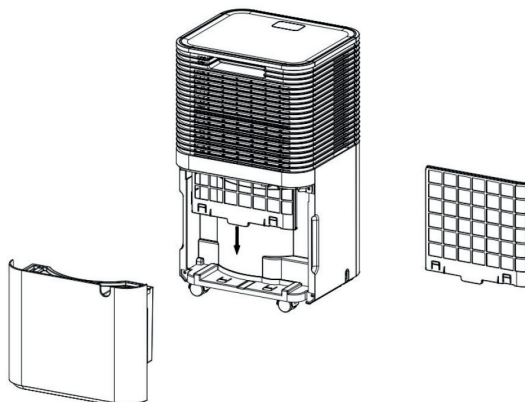
**Megjegyzés: a gép tisztítása és karbantartása előtt feltétlenül kapcsolja ki a gépet, és húzza ki a hálózati csatlakozót az áramütés elkerülése érdekében.**

### A LÉGSZŰRŐ TISZTÍTÁSA

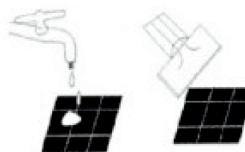
Tisztítsa meg a szűrőt legalább kéthetente, vagy amikor szükséges. A tisztátalan szűrőn felgyülemlett lerakódásokat a ventilátor felszívhatja, majd az elpárologtatón, a kondenzátoron és az egységen belüli egyéb alkatrészekben marad, ami csökkentheti az egység hatékonyságát és különféle meghibásodásokhoz vezethet, amelyekre nem terjed ki a garancia.

Ha bármilyen lerakódást talál a készülék belsejében, forduljon a legközelebbi hivatalos szervizhez professzionális tisztítás céljából. Ne végezzen belső tisztítási műveleteket (a mosható szűrő tisztításán és mosásán kívül) egyedül. Mindig forduljon szakképzett műszaki személyzethez.

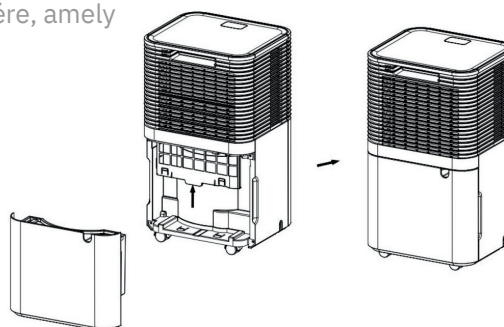
- a) Vegye ki a víztartályt a testből, majd húzza ki a szűrőt a hátsó burkolat aljáról;



- b) Porszívóval gyengéden szívja fel a port a felületen. Ha a szűrő nagyon szennyezett, mossa le vízzel és puha tisztítószerrel, majd szárítsa meg alaposan.



- c) Helyezze vissza a szűrőt az eredeti helyére, amely az egység hátulján található.



## 7. HIBAE LHÁRÍTÁS

### A MŰKÖDÉSI HŐMÉRSÉKLET

**5°C ≤ Környezeti hőmérséklet ≤ 35°C** Ha a környezeti hőmérséklet alacsonyabb vagy magasabb, mint a működési hőmérséklet, a páratlanító leáll.

**Ha 5°C ≤ Környezeti hőmérséklet. ≤ 16°C, a kompresszor időnként automatikusan leolvaszt; leolvasztás közben a kompresszor leáll és a ventilátor tovább működik.**

### B. A SZERVIZHÍVÁS ELŐTT

Mielőtt kapcsolatba lépne a szakszervizzel, tekintse át a hibaelhárítási listát, amely tartalmazza azokat a gyakori előfordulásokat, amelyek nem gyártási vagy anyaghibából erednek.

Probléma	Lehetséges ok	Megoldás
Nem működik	Nincs tápellátás	Csatlakoztassa egy működő konnektorhoz, és kapcsolja be.
	A víz megtelt jelzés villog	Engedje le a víztartályt, és helyezze vissza a készülékbe.
	Szobahőmérséklet <5°C vagy >35°C	Az egység védelmére tervezett önvédelem. Ilyen hőmérsékleten nem lehet dolgozni.
Rossz működés	Eltömődött a légszűrő?	Tisztítsa meg a levegőszűrőt az utasításoknak megfelelően
	El van dugulva a szívó- vagy nyomócsatorna?	Távolítsa el az akadályt a nyomó- vagy szívócsőről.
Nincs levegő bemenet	Eltömődött a légszűrő?	Mossa ki a szűrőt
Hangos zaj futás közben	A készülék vízszintes és sík felületre van helyezve?	Helyezze el megfelelően az egységet
	Eltömődött a légszűrő?	Mossa ki a szűrőt
E2	Páratartalom érzékelő probléma	Cserélje ki az érzékelőt
LO	A környezet páratartalma 20% alatt van	A páratlanító kikapcsol önvédelemre
HI	A környezet páratartalma 90% felett van	
CL	Alacsony hőmérséklet elleni védelem, a környezeti hőmérséklet <5°C	
CH	Magas hőmérséklet elleni védelem, a környezeti hőmérséklet >35°C	

## 8. LESZERELÉS

### 8.1 TÁROLÁS

Hosszú távú tárolás – Ha hosszabb ideig (néhány hétnél tovább) nem használja a készüléket, a legjobb, ha megtisztítja és teljesen kiszárítja. Kérjük, tárolja az egységet a következő lépések szerint:

- a) Nyomja meg a bekapcsológombot a készülék kikapcsolásához és kihúzásához.
- b) Engedje le a maradék vizet a készülékből.
- c) Tisztítsa meg a szűrőt, és hagyja teljesen megszáradni egy árnyékos helyen.
- d) Csatlakoztassa a tápkábelt a víztartályhoz.
- e) Helyezze vissza a szűrőt a helyére.
- f) Tároláskor az egységet függőleges helyzetben kell tartani.
- g) A gép tárolása szellőző, száraz, nem korrozív gázban és biztonságos beltéri helyen.

**FIGYELEM:** A gép belsejében lévő elpárologtatót ki kell szárítani az egység becsomagolása előtt, hogy elkerülje az alkatrészek sérülését és a penészesedést. Húzza ki az egységet a konnektorból, és tegye száraz, nyitott helyre napokra, hogy kiszáradjon. Az egység szárításának másik módja az, hogy a páratartalom pontot több mint 5%-kal magasabbra állítja, mint a környezeti páratartalom, így a ventilátor néhány órára megszáritja az elpárologtatót.

### 8.2 ÁRTALMATLANÍTÁS

#### **FIGYELEM!!!**



Hűtőközeg légkörbe engedése szigorúan tilos!

Ne dobja ki az elektromos készülékeket válogatatlan települési hulladékként,

használja elkülönített gyűjtőhelyek. Információért forduljon a helyi önkormányzathoz

a rendelkezésre álló begyűjtési rendszerekkel kapcsolatban. Ha az elektromos készülékeket  
ártalmatlanítják

A hulladéklerakókban vagy szemétkerakókban veszélyes anyagok szivároghatnak a talajvízbe, és bekerülhetnek a táplálékláncba, károsítva az Ön egészségét és jólétét.

# SMART LIFE – AZ ALKALMAZÁS HASZNÁLATI ÚTMUTATÓJA



A „Smart Life” alkalmazás elérhető Android és iOS rendszeren. Olvassa be okostelefonjával a megfelelő QR-kódot, hogy közvetlenül elérje a letöltést.

## Az alkalmazás használata

Ezzel a készülékkel WIFI otthoni hálózatán keresztül működtetheti a készüléket. Előfeltétel az állandó WIFI kapcsolat a routerrel és az ingyenes „Smart Life” alkalmazás.

Javasoljuk, hogy húzza ki a készüléket az elektromos hálózatról, ha távol van otthonától, hogy elkerülje a véletlen bekapcsolást útközben!

1. Telepítse a „Smart Life” alkalmazást. Hozzon létre egy felhasználói fiókot.
2. Kapcsolja be a WIFI funkciót a készülék beállításainál - érintse meg az IDŐZÍTŐ gombot legalább 5 másodpercig.
3. Helyezze a készüléket körülbelül 5 méter távolságra az útválasztótól.
4. Amíg a készülék be van kapcsolva, a WIFI jelzőfény villog. 3 perc elteltével az állapot törlődik, ha nincs hálózati konfiguráció, és a jelzőfény nem világít. Ha újra kell csatlakoznia a WIFI-hez, érintse meg hosszan a „TIMER” gombot 5 másodpercig a hálózati konfiguráció elindításához, a WIFI jelzőfény ismét villog.

## WIFI csatlakoztatva

### 1. módszer Bluetooth-on keresztül csatlakoztatva

- Nyissa meg mobiltelefonja vagy más eszköze Bluetooth-át.
- Amikor a WIFI jelzőfény villog, nyissa meg a „Smart Life” APP-t, és az egység automatikusan csatlakozik Bluetooth-on keresztül.

### 2. módszer

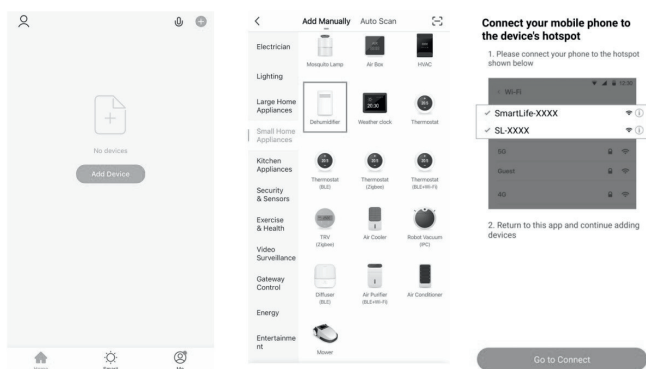
- Amikor a WIFI jelzőfény villog, válassza a következőket: **"Eszköz hozzáadása" - "Kis háztartási gépek" - "Párátlanító"**

és kövesse a Smart Life alkalmazás utasításait. Ellenőrizze a WIFI-jelző állapotát, és válassza ki a megfelelő állapotot.

- Ha a WIFI jelző gyorsan villog, közvetlenül csatlakoztatható.
- Ha a WIFI jelző lassan villog, nyomja meg a „Go to Connect” gombot a „SmartLife-XXXX” nevű WIFI csatlakoztatásához.

## Megjegyzések

- Ha a készüléket sikeresen csatlakoztatta, a WIFI lámpa kigyullad. Most már az alkalmazás segítségével működtetheti a készüléket.
- Nyomja meg és tartsa lenyomva az Időzítő gombot körülbelül 5 másodpercig, a készülék lekapcsol, és a WIFI lámpa kialszik.



## HIBAELHÁRÍTÁS

### A hálózati csatlakozás sikertelen

A hálózati kapcsolat időtűllépése

WIFI jelzőfény kikapcsolva

A WIFI hotspot eltűnik, és a WIFI jelzőfény villog

### Megoldás

1. Ellenőrizze, hogy a „SmartLife-XXXX” nevű WIFI-t választotta-e.  
2. Kapcsolja ki a gépet, és 10 másodperc múlva húzza ki a tápkódot és a plugint, majd lépjen be az alkalmazásba az újbóli csatlakozáshoz.

Tartsa lenyomva az „Időzítő” gombot, vagy kapcsolja ki a gépet, és 10 másodperc elteltével húzza ki a tápkódot és a csatlakozót.

Kapcsolja ki a gépet, és 10 másodperc múlva húzza ki a tápkódot és a plugint, majd lépjen be az alkalmazásba az újbóli csatlakozáshoz.



# BG:СЪДЪРЖАНИЕ

1. ПРЕДИ ДА ЗАПОЧНЕШ	130
2. ЗА ВАШАТА БЕЗОПАСНОСТ	131
3. ПРЕГЛЕД НА ПРОДУКТА	135
4. ИНСТАЛАЦИЯ	137
5. ЕКСПЛОАТАЦИЯ	138
6. ПОДДРЪЖКА	141
7. ОТСТРАНЯВАНЕ НА НЕИЗПРАВНОСТИ	142
8. ИЗВЕЖДАНЕ ОТ ЕКСПЛОАТАЦИЯ	143
9. SMART LIFE APP - ръководство за потребителя	144

Благодарим ви, че избрахте нашия влагоуловител.

Не забравяйте да прочетете внимателно това ръководство, преди да го използвате.

*Моля, пазете това ръководство внимателно за допълнителни справки!*

# 1. ПРЕДИ ДА ЗАПОЧНЕТЕ

Моля, прочетете внимателно инструкциите за експлоатация, преди да използвате вашия обезвлажнител за първи път.

## А. ОПИСАНИЕ НА ПРОДУКТА

Влагоуловителя се използва за премахване на прекомерната влага от въздуха. Полученото намаление на относителната влажност предпазва сградите и тяхното съдържание от неблагоприятните ефекти на излишната влажност.

Като хладилен агент се използва екологичният R290. R290 няма вредно влияние върху озоновия слой (ODP), незначителен парников ефект (GWP) и се предлага в целия свят. Поради своите ефективни енергийни свойства, R290 е изключително подходящ като охлаждаща течност за това приложение. Трябва да се вземат предвид специални предпазни мерки поради високата запалимост на охлаждащата течност.

## Б. СИМВОЛИ ВЪРХУ УРЕДА И РЪКОВОДСТВОТО ЗА ПОТРЕБИТЕЛЯ



**Внимание!**

Това устройство използва запалим хладилен агент. Ако хладилен агент изтече и влезе в контакт с огън или нагревателна част, това ще създаде вреден газ и има риск от пожар.



Прочетете внимателно РЪКОВОДСТВОТО ЗА ПОТРЕБИТЕЛЯ преди работа.



Допълнителна информация е налична в РЪКОВОДСТВОТО ЗА ПОТРЕБИТЕЛЯ, РЪКОВОДСТВОТО ЗА ОБСЛУЖВАНЕ и други подобни.



От сервизния персонал се изисква да прочете внимателно РЪКОВОДСТВОТО ЗА ПОТРЕБИТЕЛЯ и РЪКОВОДСТВОТО ЗА ОБСЛУЖВАНЕ преди работа.

## С. СЛЕДНОТО ВИНАГИ ТРЯБВА ДА СЕ СПАЗВА ЗА БЕЗОПАСНОСТ

- Този уред е предназначен за използване от опитни или обучени потребители в магазини, в леката промишленост и във ферми или за търговска употреба от непрофесионалисти.
- Този уред може да се използва от деца на възраст над 8 години и лица с намалени физически, сетивни или умствени способности или липса на опит и знания, ако те са били под наблюдение или са били инструктирани относно използването на уреда по безопасен начин и разбират свързаните с това опасности.
- Този уред не е играчка. Деца под 3 години трябва да бъдат постоянно наблюдавани и държани далеч от него.
- Почистването и потребителската поддръжка не трябва да се извършват от деца.
- Уредът е предназначен само за използване с газ R-290 (пропан) като предназначен хладилен агент. Хладилният контур е запечатан. Само квалифициран техник трябва да се опитва да обслужва!
- Не изхвърляйте хладилния агент в атмосферата.
- R-290 (пропан) е запалим и по-тежък от въздуха.
- Събира се първо в ниски зони, но може да се разпространява от вентилаторите. Ако има наличие на газ пропан или дори се подозира, не позволявайте на необучен персонал да се опитва да открие причината.
- Газът пропан, използван в уреда, няма миризма.
- Липсата на миризма не означава липса на изпуснат газ.
- Ако се открие теч, незабавно евакуирайте всички хора от магазина, проветрете помещението и се свържете с местната противопожарна служба, за да ги уведомите, че е възникнал теч на пропан.
- Не пускайте хора обратно в стаята, докато не пристигне квалифицираният сервизен техник и този техник не ви посъветва, че е безопасно да се върнете в магазина.
- Не трябва да се използват открити пламъци, цигари или други възможни източници на запалване вътре или в близост до модулите.
- Компонентите са предназначени за пропан и не предизвикват стимули и искри. Компонентите трябва да се сменят само с идентични ремонтни части.

НЕСПАЗВАНЕТО НА ТОВА ПРЕДУПРЕЖДЕНИЕ МОЖЕ ДА ДОВЕДЕ ДО ЕКСПЛОЗИЯ, СМЪРТ, НАРАНЯВАНЕ И ИМУЩЕСТВЕНИ ЩЕТИ



**Внимание!**



## 2. ЗА ВАШАТА БЕЗОПАСНОСТ



Вашата безопасност е най-важното нещо, за което се интересуваме!

Моля, прочетете внимателно това ръководство и го разберете напълно, преди да започнете работа с вашия обезвлажнител.

## А. ОПЕРАТИВНИ ПРЕДПАЗНИ МЕРКИ

ПРЕДУПРЕЖДЕНИЕ: за да намалите риска от пожар, токов удар или нараняване на хора или имущество:

- Ако захранващият кабел е повреден, той трябва да бъде заменен от производителя, неговия сервизен агент или лица с подобна квалификация, за да се избегне опасност.
- А-претегленото ниво на звуково налягане е под 38 dBs.
- Уредът трябва да бъде изключен от източника на захранване по време на поддръжка.
- Винаги работете с уреда от източник на захранване със същото напрежение, честота и мощност, както е посочено на идентификационната табела на продукта.
- Винаги използвайте заземен електрически контакт.
- Изключвайте захранващия кабел, когато почиствате или когато не го използвате.
- Не работете с мокри ръце. Предотвратете разливането на вода върху уреда.
- Не потапяйте и не излагайте устройството на дъжд, влага или друга течност.
- Не оставяйте уреда да работи без надзор. Не наклоняйте и не обръщайте уреда.
- Не изключвайте щепсела, докато устройството работи.
- Не изключвайте от контакта, като дърпате захранващия кабел.
- Не използвайте удължителен кабел или адаптерен щепсел.
- Не поставяйте предмети върху устройството.
- Не се качвайте и не сядайте върху уреда.
- Не пъхайте пръсти или други предмети в изхода за въздух.
- Не докосвайте входа за въздух или алуминиевите ребра на уреда.
- Не работете с уреда, ако е изпуснат, повреден или показва признаци на неизправност на продукта.
- Не почиствайте уреда с никакви химикали.
- Уверете се, че устройството е далеч от огън, запалими или експлозивни предмети.
- Устройството трябва да бъде инсталирано в съответствие с националните разпоредби за окабеляване.
- Не използвайте средства за ускоряване на процеса на размразяване или за почистване, различни от препоръчаните от производителя.
- Уредът трябва да се съхранява в помещение без непрекъснато работещи източници (например: открит пламък, работещ газов уред или работещ електрически нагревател).
- Уредът трябва да се съхранява така, че да не се допускат механични повреди.
- Не разкъсвайте и не изгаряйте, дори след употреба.
- Имайте предвид, че хладилните агенти може да не съдържат миризма.
- Тръбопроводите трябва да бъдат защитени от физически повреди и не трябва да се монтират в непроветриво пространство, ако това пространство е по-малко от 4m<sup>2</sup>.
- Трябва да се спазват националните газови разпоредби.
- Не запушвайте всички необходими вентилационни отвори.
- Уредът трябва да се съхранява в добре проветриво помещение, където размерът на помещението съответства на площта на помещението, както е посочено за работа.



Всяко лице, което участва в работа или взлом на верига на хладилен агент, трябва да притежава актуално валиден сертификат от акредитирана от индустрията оценка.

орган, който упълномощава тяхната компетентност да боравят безопасно с хладилни агенти в съответствие с призната от индустрията спецификация за оценка.



Обслужването трябва да се извършва само според препоръките на производителя на оборудването.

Поддръжката и ремонтът, които изискват помощта на друг квалифициран персонал, трябва да се извършват под наблюдението на лицето, компетентно в използването на запалими хладилни агенти. Ако не разбирате нещо или имате нужда от помощ, моля, свържете се с дилърските услуги.

## Б. ПРЕДПАЗНИ МЕРКИ ЗА БЕЗОПАСНОСТ ПРИ ОБСЛУЖВАНЕ

Моля, следвайте тези предупреждения, когато трябва да предприемете следното, когато обслужвате влагоуловител с R290.

### i. Проверки на зоната

Преди започване на работа по системи, съдържащи запалими хладилни агенти, са необходими проверки за безопасност, за да се гарантира, че рискът от възпламеняване е сведен до минимум. За ремонт на хладилната система трябва да се спазват следните предпазни мерки преди извършване на работа по системата.

### ii. Работна процедура

Работата трябва да се извършва при контролирана процедура, така че да се сведе до минимум рискът от наличие на запалими газ или пари по време на извършване на работата.

### iii. Обща работна зона

Целият персонал по поддръжката и другите, работещи в местната зона, трябва да бъдат инструктирани относно естеството на извършваната работа. Трябва да се избягва работа в затворени пространства. Зоната около работното пространство трябва да бъде разделена. Уверете се, че условията в зоната са направени безопасни чрез контрол на запалими материали.

### iv. Проверка за наличие на хладилен агент

Зоната трябва да бъде проверена с подходящ детектор за хладилен агент преди и по време на работа, за да се гарантира, че техникът е наясно с потенциално запалими атмосфери. Уверете се, че използваното оборудване за откриване на течове е подходящо за използване със запалими хладилни агенти, т.е. без искри, подходящо запечатано или искробезопасно.

### v. Наличие на пожарогасител

Ако трябва да се извършват горещи работи по хладилното оборудване или свързаните с него части, подходящото пожарогасително оборудване трябва да е на разположение. Имайте сух прах

или CO<sub>2</sub> пожарогасител в близост до зоната за зареждане.

### vi. Без източници на запалване

Никое лице, което извършва работа във връзка с хладилна система, която включва излагане на тръбопроводи, които съдържат или са съдържали запалим хладилен агент, не трябва да използва никакви източници на запалване по начин, който може да доведе до риск от пожар или експлозия. Всички възможни източници на запалване, включително пушенето на цигари, трябва да се държат достатъчно далеч от мястото на инсталиране, ремонт, отстраняване и изхвърляне, по време на което запалимият хладилен агент

евентуално може да се освободи в околното пространство. Преди започване на работа, зоната около оборудването трябва да бъде проучена, за да се уверите, че няма запалими опасности или рискове от възпламеняване. Трябва да се поставят табели „Пушенето е забранено“.

#### vii. Вентилирана зона

Уверете се, че зоната е на открито или че е подходящо проветрена, преди да проникнете в системата или да извършвате каквато и да е гореща работа. Степента на вентилация трябва да продължи през периода, през който се извършва работата. Вентилацията трябва безопасно да разпръсне всички изпуснати хладилни агенти и за предпочитане го изхвърлете навън в атмосферата.

#### viii. Проверки на хладилното оборудване

Когато електрическите компоненти се сменят, те трябва да са подходящи за целта и да отговарят на правилната спецификация. През цялото време трябва да се спазват указанията за поддръжка и обслужване на производителя. Ако се съмнявате, консултирайте се с техническия отдел на производителя за помощ.

Следните проверки се прилагат за инсталации, използващи запалими хладилни агенти:

Размерът на зареждането е в съответствие с размера на помещението, в което се намира хладилният агент

монтирани са съдържачи части;

Вентилационните съоръжения и изходите работят адекватно и не работят възпрепятстван;

Ако се използва индиректна хладилна верига, трябва да се използва вторичната верига

проверява се за наличие на хладилни агенти;

Маркировката на оборудването продължава да бъде видима и четлива. Маркировка и знаци

които са нечетливи се коригират; хладилната тръба или компонентите са монтирани на място, където е малко вероятно да бъдат изложени на каквото и да е вещество, което може да корозира компоненти, съдържачи хладилни агенти, освен ако компонентите не са изработени от материали, които по своята същност са устойчиви на корозия или са подходящо защитени срещу това корозирали.

#### ix. Проверки на електрическите устройства

Ремонтът и поддръжката на електрическите компоненти трябва да включват първоначални проверки за безопасност и процедури за проверка на компонентите. Ако съществува повреда, която може да компрометира безопасността, тогава към веригата не трябва да се свързва електрическо хранване, докато не бъде отстранено задоволително. Ако повредата не може да бъде отстранена незабавно, но е необходимо да продължи работата, трябва да се използва подходящо временно решение. Това трябва да бъде докладвано на собственика на оборудването, така че всички страни да бъдат уведомени.

Първоначалните проверки за безопасност включват:

Тези кондензатори са разредени: това трябва да се направи по безопасен начин, за да се избегне

възможност за искрене;

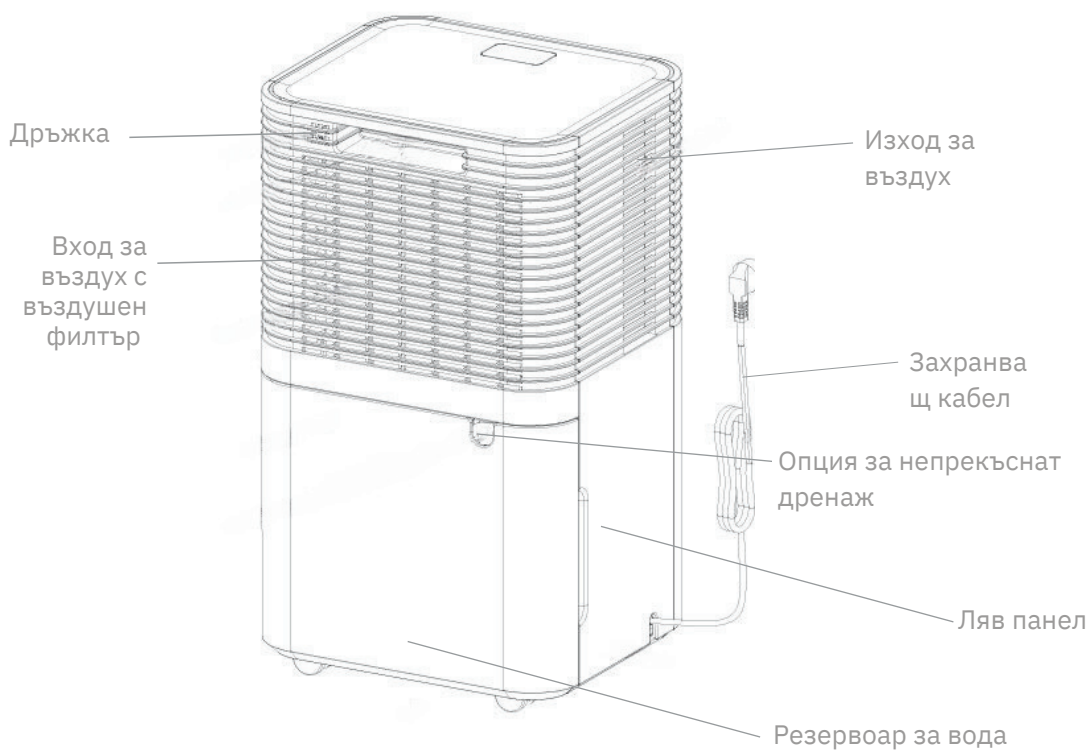
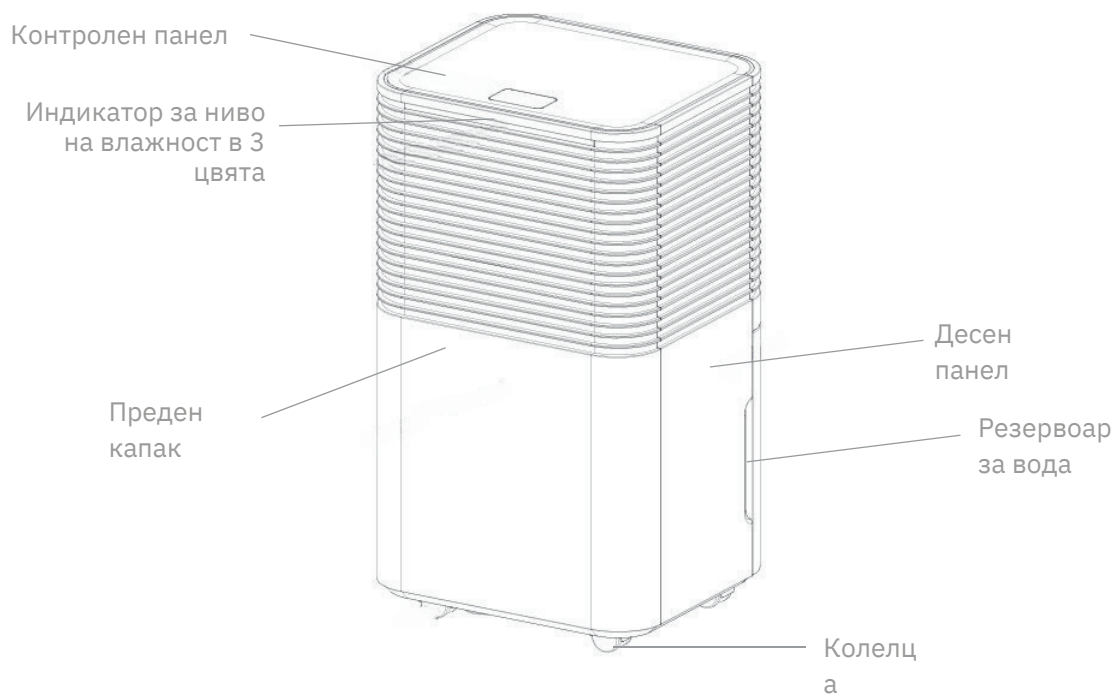
Да няма открити електрически компоненти и кабели под напрежение по време на зареждане,

възстановяване или прочистване на системата;

Че има непрекъснатост на земната връзка

### 3. ПРЕГЛЕД НА ПРОДУКТА

#### А. ИЗГЛЕД ОТ ПРЕД И ЗАД



## 6. ХАРАКТЕРИСТИКА

- Мощно отстраняване на влагата
- Мониторът за влажност показва текущата влажност на въздуха
- Автоматичният режим автоматично регулира нивата на влажност
- 24 часов таймер за настройка на времето на работа
- Ефективно премахва влагата, праха от въздуха
- Ниска консумация на енергия-енергийно ефективен
- Тихият вентилатор има две настройки на скоростта
- Автоматично размразяване при ниска температура
- Автоматично изключване/ автоматично рестартиране
- Електронно сензорно управление
- Функция за сушене на прането (непрекъснато обезвлажняване)
- Непрекъснат дренаж
- 2L резервоар за вода
- WIFI връзка (за модели оборудвани с този тип връзка)

## С. ТЕХНИЧЕСКИ СПЕЦИФИКАЦИИ

<b>МОДЕЛ</b>	<b>EPI 12/12 WIFI</b>
Капацитет за обезвлажняване	12L/ден (30°C, 80%) AC220-
Захранване	240V/50Hz
Консумация на енергия	200W/ 1.2A ≤38dB(A)
Шум	2л
Капацитет на резервоара за вода	R290/ 50гр
Максимално зареждане с хладилен агент	10 кг
Нето тегло	Високо: 3,2 МПа/ Ниско: 0,7 МПа
Максимално проектно налягане	4 m <sup>2</sup> (площ на пода)
Минимални размери на помещението	255 x 220 x 445 мм



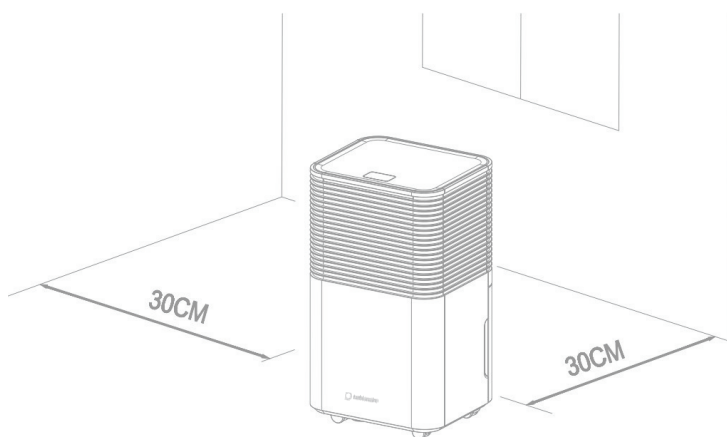
## 4. ИНСТАЛАЦИЯ

### А. ПОСТАВЯНЕ НА ИЗВЛАЖНИТЕЛЯ

Поставете уреда върху твърда, равна повърхност в зона с поне 30 см свободно пространство около него, за да осигурите правилна циркулация на въздуха.

Никога не инсталирайте уреда там, където може да бъде обект на:

- Източници на топлина като радиатори, отоплителни уреди, печки или други продукти, които произвеждат топлина.
- В зона, където могат да бъдат пръскани масло или вода
- Директна слънчева светлина
- Механична вибрация или удар
- Прекомерно количество прах
- Липса на вентилация, като например шкаф или библиотека
- Неравна повърхност



**ПРЕДУПРЕЖДЕНИЕ** Инсталирайте уреда в помещения, които надвишават 4 m<sup>2</sup>.

Не монтирайте уреда на място, където може да изтече запалим газ. **ЗАБЕЛЕЖКА**



Производителят може да предостави друг подходящ пример или може да предостави допълнителна информация за миризмата на хладилен агент.

### Б. БЕЗОПАСНА РАБОТА С УСТРОЙСТВОТО

Проверете устройството след разопаковане за повреди или драскотини по него.

Работете с това устройство при околна температура от 5°C до 35°C.

Не използвайте на открито. Този влагоуловител е предназначен само за вътрешни жилищни приложения.

Не работете в непосредствена близост до стени, завеси или други предмети, които могат да блокират входа и изхода.

Пазете входа и изхода на въздуха без препятствия.

Регулиране на дефлектора за вятър в посока нагоре преди стартиране.

Ако е наклонен на повече от 45°, оставете уреда да се постави изправен най-малко 24 часа преди стартиране.

Дръжте вратите и прозорците затворени за по-добро пестене на енергия. Не работете и не съхранявайте уреда на пряка слънчева светлина или дъжд. Нормално е изходящият въздух да се чувства топъл на допир след продължителна работа в горещи дни.

Изпразнете резервоара за вода, преди да преместите устройството. Уверете се, че резервоарът за вода е правилно монтиран, в противен случай устройството няма да работи правилно.

Изсушителят стартира в режима, избран при последното използване на уреда.

Влагоуловителят започва да изсушава, ако влажността в помещението е с 3% по-висока от избраната влажност.

Има защитно 3-минутно забавяне на компресора. Изчакайте 3 минути, докато обезвлажнителят възобнови изсушаването.

## 5. ЕКСПЛОАТАЦИЯ

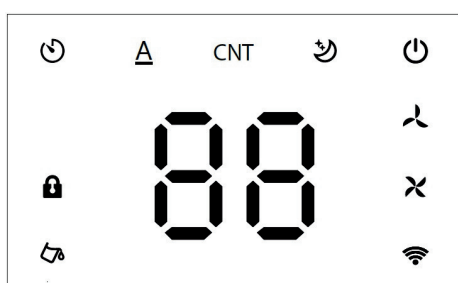
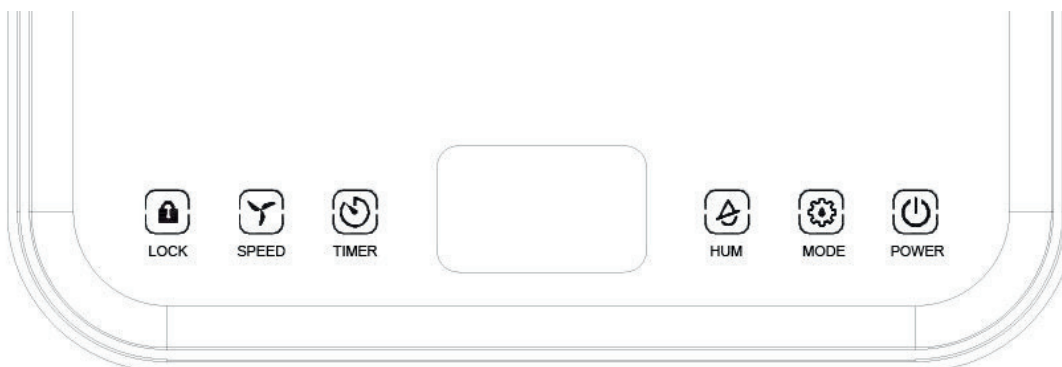
### Контролен панел

Син LED индикатор – нивото на влажност в помещението е под 45%

Зелен LED индикатор – влажността в помещението е между 45% и 65%

Червен LED индикатор – нивото на влажност в помещението е по-високо от 65%

Ако LED показва E0, E2, CL, CH, LO, HI, светлината ще свети червено.



📶 wifi само за EPI 12 wifi

### **МОЩНОСТ**

След включване на захранването всички индикатори и екранът ще светнат за 1 секунда и след това ще изгаснат. След звуков сигнал индикаторът за захранване ще светне и машината ще бъде в режим на готовност. Натиснете този бутон, машината започва да работи, първоначалната влажност на машината е 60% RH, автоматичен режим по подразбиране и работа при силен вятър. Натиснете отново този бутон, машината ще спре да работи и вентилаторът ще се затвори.

## РЕЖИМ

**Автоматичен режим - Режим на непрекъснато сушене** - Цикъл на спящ режим, натиснете веднъж, за да превключите режима от един на друг, съответният индикатор светва.

- **Автоматичен режим:** когато влажността на околната среда е  $\geq$  зададена влажност 3%, вентилаторът започва да работи и компресорът започва да работи след 3 секунди. Когато влажността на околната среда е  $\leq$  влажност на въздуха -3%, компресорът спира да работи и вентилаторът спира да работи след 30 секунди закъснение. Както скоростта на вентилатора, така и влажността могат да се регулират в автоматичен режим.

- **Режим на непрекъснато сушене:** Машината продължава да работи, но влажността не може да се регулира.

- **Режим на заспиване:** Докоснете бутона за заспиване, бутонът светва и стартирайте функцията за заспиване. След като не работите в рамките на 10 секунди, всички индикатори постепенно потъмняват и скоростта на вятъра автоматично се превключва от висока на ниска. Докоснете произволен бутон, за да събудите индикатора. Докоснете отново бутона за заспиване, за да излезете от режима на заспиване. В режим на заспиване кодът за грешка не се показва, скоростта на вятъра не се регулира и влажността се регулира.

## ТАЙМЕР

Натиснете този клавиш, за да зададете функцията на таймера от 0-24 часа. Интервалът е 1 час. Всеки път, когато натиснете този бутон, стойността се увеличава с 1 час и след това съответната стойност за времето се показва на екрана. Стойността на настройката е „00“, за да отмените функцията на таймера. Индикаторът изгасва. След като таймерът е настроен и завършен, светодиодът на таймера свети по време на периода на отчитане. След изтичане на времето, светодиодът на таймера се изключва автоматично. В работещо състояние задайте времето за изключване на машината; в състояние на готовност задайте времето за включване на машината.

## КОМПЛЕКТ ЗА ВЛАЖНОСТ

В автоматичен режим или режим на заспиване можете да управлявате този бутон, за да регулирате зададената влажност: всеки път, когато натиснете, настройката на влажността се увеличава с 5%, според цикъла от 30%-80%. Натиснете продължително този клавиш, за да поискате текущата стайна температура, двойни осем светлини показват текущата стайна температура 5 секунди след автоматичното връщане, за да се покаже текущата влажност. Ако този бутон бъде натиснат за дълго време, ще се покаже температурата на околната среда.

## СКОРОСТ НА ВЕНТИЛАТОРА (СКОРОСТ)

Скоростта на вятъра може да се регулира само в автоматичен режим. Натиснете този клавиш, за да превключите високата и ниската скорост на вятъра. Съответният индикатор за скорост на вятъра светва.

## ЗАКЛЮЧВАНЕ ЗА ДЕЦА (ЗАКЛЮЧВАНЕ)

Натиснете дълго този клавиш, за да отворите функцията за заключване от деца. Натиснете дълго този клавиш, за да отворите функцията за заключване от деца. Светлинният индикатор за заключване за деца свети. Всички клавиши са заключени и не могат да се използват. Натиснете този бутон отново, светлинният индикатор ще изгасне и бутонът ще се възстанови. Отворете функцията за заключване за деца, докато изключването или изключването автоматично ще отмени функцията за заключване за деца.

## А. Дренаж

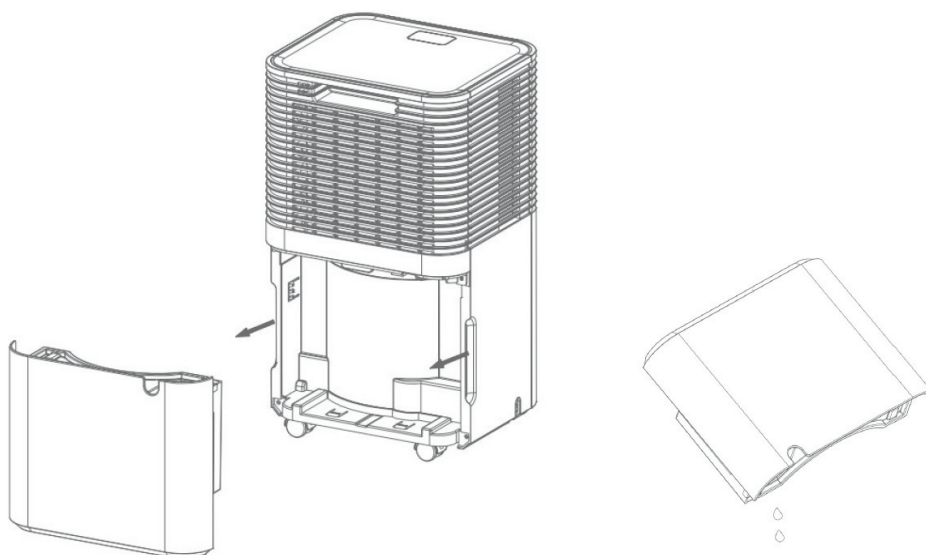
Има два начина за отстраняване на събраната вода, произведена от модула.

- а) Ръчно източване: водният резервоар се отстранява ръчно.
- б) Непрекъснато източване: прикрепете дренажен маркуч към уреда, така че кондензираната вода да се източва чрез гравитация.

### б. Изпразване на резервоара за вода

Когато резервоарът е пълен, уредът ще издаде бръмчащ звук и индикаторът „Пълна вода“ ще светне.

- Натиснете бутона POWER, за да изключите уреда.
- Издърпайте резервоара за вода и го плъзнете навън от корпуса на обезвлажнителя.
- Изпразнете водата в зона с дренаж или навън.
- Почистете резервоара отвътре, ако е необходимо, както и отвън.
- Поставете празния резервоар обратно в уреда.
- Натиснете бутона POWER, за да възобновите работата.
- Ако светодиодът „Пълна вода“ все още свети, проверете дали поплавъкът на водния резервоар е поставен правилно и дали няма блокиране.



## ВНИМАНИЕ

- Не изхвърляйте магнитите на резервоара за вода и пластмасовите нитове. В противен случай машината няма да спре автоматично да работи, когато резервоарът за вода е пълен, а кондензираната вода ще прелее и ще повреди пода на помещението.

- Моля, не забравяйте да почистите кондензираната вода в резервоара за вода, преди да нулирате режим на работа на машината.

## В. Непрекъснат дренаж

За продължителна работа или изсушаване без надзор, свържете прикрепения дренажен маркуч към уреда. Кондензираната вода се оттича свободно в кофа или дренажен отвор чрез гравитация.

1. Изправете дренажната тръба
2. Поставете единия край на дренажа в отвора на казанчето и свържете другия край към банята, външен или контейнер като кофа, или предписаната зона за дренаж.

- Моля, не запушвайте дренажа или дренажната тръба, ако това се случи, кондензираната вода ще потече в резервоара за вода.
- Моля, не огъвайте дренажната тръба. Височината на дренажната тръба трябва да е по-ниска от изхода.
- Дренажната тръба трябва да бъде здраво свързана към изхода;



## 6. ПОДДРЪЖКА

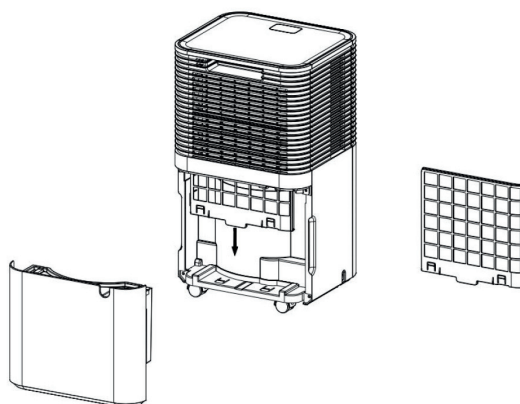
**Забележка: преди почистване и поддръжка на машината, не забравяйте да изключите машината и да издърпате щепсела, за да предотвратите токов удар.**

### ПОЧИСТВАНЕ НА ВЪЗДУШНИЯ ФИЛТЪР

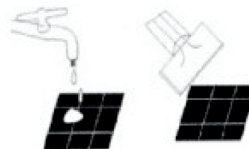
Почиствайте филтъра поне на всеки две седмици или когато е необходимо. Отлаганията, натрупани върху нечистия филтър, могат да бъдат абсорбирани от вентилатора, след което да останат прикрепени към изпарителя, кондензатора и други компоненти вътре в уреда, което може да намали ефективността на уреда и да доведе до различни неизправности, които не се покриват от гаранцията.

Ако в уреда се открият отлагания, свържете се с най-близкия оторизиран сервиз за професионално почистване. Не извършвайте операции по вътрешно почистване (освен почистване и измиване на миещия се филтър) сами. Винаги се обръщайте към квалифициран технически персонал.

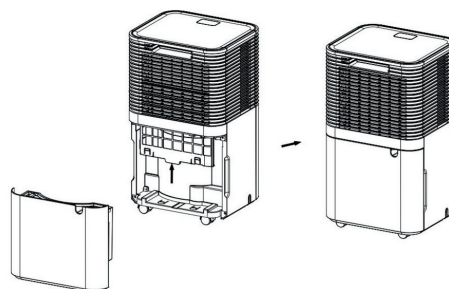
а) Вземете резервоара за вода от тялото и след това издърпайте филтъра от дъното на задния корпус;



б) Използвайте прахосмукачка, за да попиете внимателно праха от повърхността. Ако филтърът е много замърсен, измийте го с вода и мек почистващ препарат и след това го подсушете добре.



в) Поставете филтъра обратно на първоначалното му място, което е в задната част на модула.



## 7. ОТСТРАНЯВАНЕ НА НЕИЗПРАВНОСТИ

### А. ФУНКЦИОНАЛНА ТЕМПЕРАТУРА

**5°C ≤ Температура на околната среда ≤ 35°C** Когато температурата на околната среда е по-ниска или по-висока от работната температура, изсушителят спира. Когато 5°C ≤ Темп. ≤ 16°C, компресорът автоматично се размразява на интервали; по време на размразяване компресорът спира и вентилаторът продължава да работи.

### Б. ПРЕДИ ДА СЕ ОБАДИТЕ В СЕРВИЗ

Преди да се свържете с професионален сервиз, моля, прегледайте списъка за отстраняване на проблеми, който включва често срещани събития, които не са резултат от дефект в изработката или материалите.

проблем	Възможна причина	Решение
Не работи	Няма захранване	Свържете към работещ контакт и включете.
	Индикация за пълна вода Мига	Източете резервоара за вода и го поставете обратно в уреда.
	Стайна температура <5°C или >35°C	Самозащита, предназначена да предпазва устройството. Не може да работи при такава температура.
Лошо функциониране	Въздушният филтър запушен ли е?	Почистете въздушния филтър според инструкциите
	Запушен ли е всмукателният или изпускателният канал?	Отстранете препятствието от изпускателния или всмукателния канал.
Без всмукване на въздух	Въздушният филтър запушен ли е?	Измийте филтъра
Силен шум при движение	Устройството поставено ли е на хоризонтална и равна повърхност?	Поставете уреда правилно
	Въздушният филтър запушен ли е?	Измийте филтъра
E2	Проблем със сензора за влажност	Смени сензора
LO	Влажността на околната среда е под 20%	Изсушителят се изключва за самозащита
HI	Влажността на околната среда е над 90%	
CL	Защита от ниска температура, температура на околната среда <5°C	Изсушителят се изключва за самозащита
CH	Защита от висока температура, температура на околната среда >35°C	

## 8. ИЗВЕЖДАНЕ ОТ ЕКСПЛОАТАЦИЯ

### 8.1 СЪХРАНЕНИЕ

Дългосрочно съхранение – Ако няма да използвате уреда за продължителен период от време (повече от няколко седмици), най-добре е да почистите уреда и да го изсушите напълно. Моля, съхранявайте уреда, като следвате следните стъпки:

- a) Натиснете бутона за захранване, за да изключите и извадете щепсела.
- b) Източете останалата вода от уреда.
- c) Почистете филтъра и го оставете да изсъхне напълно на сенчесто място.
- d) Вземете захранващия кабел от резервоара за вода.
- e) Поставете отново филтъра на мястото му.
- f) Устройството трябва да се държи в изправено положение, когато се съхранява.
- g) Съхранявайте машината на вентилирано, сухо, некорозивен газ и безопасно място на закрито.

**ВНИМАНИЕ:** Изпарителят вътре в машината трябва да бъде изсушен, преди модулът да бъде опакован, за да се избегнат повреди на компонентите и мухъл. Изключете уреда от контакта и го поставете на сухо открито място за дни, за да изсъхне. Друг начин за изсушаване на модула е да настроите точката на влажност с повече от 5% по-висока от влажността на околната среда, за да накарате вентилатора да изсуши изпарителя за няколко часа.

### 8.2 ИЗХВЪРЛЯНЕ

#### **ВНИМАНИЕ!!!**



**Изпускането на хладилен агент в атмосферата е строго забранено!**

**Не изхвърляйте електрическите уреди като несортирани битови**

**отпадъци, използвайте съоръжения за разделно събиране. Свържете се с местното правителство за информация**

**относно наличните системи за събиране. Ако се изхвърлят електрически уреди на сметища или сметища, опасните вещества могат да изтекат в подпочвените води и да попаднат в хранителната верига, увреждайки вашето здраве и благополучие.**

# SMART LIFE - РЪКОВОДСТВО ЗА ПОТРЕБИТЕЛЯ НА ПРИЛОЖЕНИЕТО



Приложението "Smart Life" е достъпно за Android и iOS. Сканирайте със смартфона си съответния QR код, за да стигнете директно до изтеглянето.

## Как да използвате приложението

Този уред ви позволява да управлявате уреда през вашата WIFI домашна мрежа. Предпоставка е постоянна WIFI връзка с вашия рутер и безплатното приложение „Smart Life“.

Препоръчваме да изключвате уреда от захранването, когато сте далеч от дома, за да предотвратите неволно включване, докато сте на път!

1. Инсталирайте приложението „Smart Life“. Създайте потребителски акаунт.
2. Активирайте функцията WIFI в настройките на вашия уред – докоснете бутона ТАЙМЕР за поне 5 секунди.
3. Поставете уреда на разстояние около 5 метра от вашия рутер.
4. Докато захранването е включено, индикаторът WIFI мига. След 3 минути състоянието ще бъде отменено, ако няма мрежова конфигурация и светлинният индикатор е изключен. Ако трябва да свържете отново WIFI, докоснете дълго бутона „TIMER“ за 5 секунди, за да стартирате конфигурацията на мрежата, индикаторът WIFI мига отново.

## WIFI свързан

### Метод 1 Свързан чрез Bluetooth

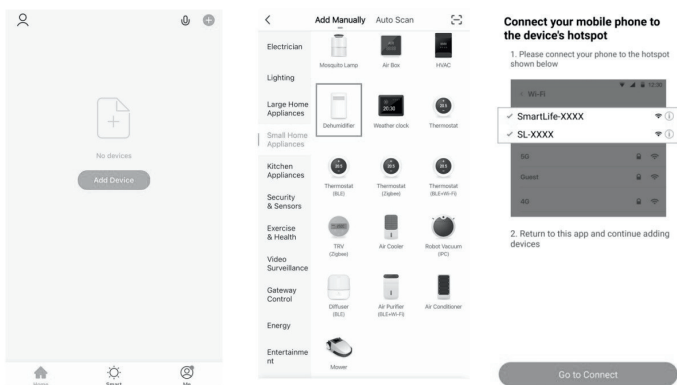
- Отворете Bluetooth на вашия мобилен телефон или друго устройство.
- Когато индикаторът WIFI мига, отворете ПРИЛОЖЕНИЕТО "Smart Life" и устройството автоматично ще се свърже чрез Bluetooth.

### Метод 2

- Когато индикаторът WIFI мига, изберете: „Добавяне на устройство“-, „Малки домашни уреди“-, „Влагоуловител“ и следвайте инструкциите в приложението Smart Life. Проверете състоянието на WIFI индикатора и изберете правилното състояние.
- Ако индикаторът WIFI мига бързо, може да се свърже директно.
- Ако WIFI индикаторът мига бавно, натиснете "Go to Connect", за да свържете WIFI с име "SmartLife-XXXX".

## Забележки

- След като уредът е свързан успешно, WIFI лампата светва. Сега можете да управлявате уреда с помощта на приложението.
- Натиснете и задръжте бутона за таймер за около 5 секунди, уредът се изключва и WIFI лампата изгасва.



## ОТСТРАНЯВАНЕ НА НЕИЗПРАВНОСТИ

### Мрежовата връзка е неуспешна

### Решение

Време за изчакване на мрежовата връзка

1. Проверете дали сте избрали WIFI с име „SmartLife-XXXX“.
2. Изключете машината и извадете захранващия код и приставката след 10 секунди, влезте в приложението, за да се свържете отново.

WIFI индикаторът е изключен

Натиснете продължително бутона „Таймер“ или изключете машината и извадете кода за захранване и приставката след 10 секунди.

WIFI горещата точка изчезва и WIFI светлината мига

Изключете машината и извадете захранващия код и приставката след 10 секунди, влезте в приложението, за да се свържете отново.



**EN 2 Years Warranty**

This warranty covers defects of construction, manufacturing and material. Excluded are all wearing parts and improper usage, or consequential damages due to lack of cleaning of the appliance.

**RO Garantie 3 ani (valabil numai in Romania)**

Aceasta garantie acopera defectele de constructie, fabricatie si materialele din care este confectionat dispozitivul. Nu fac obiectul garantiei utilizarea necorespunzatoare, uzura normala a elementelor sau defectele aparute in urma necuratarii corespunzatoare a dispozitivului.

**DE 2 Jahre Garantie**

Diese Garantie deckt Konstruktions-, Verarbeitungs- und Materialfehler ab, aus denen das Gerät besteht. Unsachgemäße Verwendung, normaler Verschleiß der Elemente oder Mängel aufgrund unsachgemäßer Reinigung des Geräts unterliegen nicht der Garantie.

**ES Garantía 2 años**

Esta garantía cubre los defectos de construcción, fabricación y los materiales de los que está hecho el dispositivo. No están cubiertos por la garantía el desgaste normal de los componentes o los defectos resultantes de la falta de limpieza adecuada del dispositivo.

**FR Garantie 2 ans**

Cette garantie couvre les défauts de construction, de fabrication et les matériaux dont le dispositif est fait. Garantie ne couvre pas l'utilisation inappropriée, l'usure normale des éléments ou les défauts apparus après le manque de nettoyage approprié du dispositif.

**IT 2 anni di garanzia**

Questa garanzia copre difetti di costruzione, di produzione e di materiale. L'uso improprio, la normale usura degli elementi o difetti derivanti da una pulizia impropria del dispositivo non sono soggetti a garanzia.

**HU 2 év garancia**

Ez a garancia az építési, gyártási és anyaghibákra vonatkozik. Kivéve az összes kopó alkatrészt és a nem megfelelő használatot, illetve a készülék tisztításának elmulasztásából eredő következményes károkat.

**BG 2 години гаранция**

Тази гаранция покрива дефекти в конструкцията, производството и материалите. Изключени са всички износващи се части и неправилна употреба или последващи щети поради липса на почистване на уреда.

