

fram



Dehumidifier

FDU-M12

Dehumidifying capacity: 12L
Color: white



Thank you for choosing this Fram product!

1. INTRODUCTION

Please read the instructions carefully and keep the manual for future information.

This manual is designed to give all necessary instructions concerning installation, use and maintenance of the unit. In order to operate the unit correctly and safely, please read this instruction manual carefully before installation and use.

2. SAFETY PRECAUTIONS

To prevent death or injury to the user or other people and property damage, the following instructions must be followed. Incorrect operation due to ignoring of instructions may cause death, harm or damage.



Warning: This symbol indicates the possibility of personnel injury or loss of life.



Caution: This symbol indicates the possibility of property damage or serious consequences.



Warning

- Do not exceed the rating of the power outlet or connection device.
- Do not operate or stop the unit by switching on or off the power.
- Do not damage or use an unspecified power cord.
- Do not modify power cord length or share the outlet with other appliances.
- Do not insert or pull out plug with wet hands.
- Do not install the appliance in a location that may be exposed to combustible gas.
- Do not place the unit near a heat source.
- Disconnect the power if strange sounds, smell, or smoke comes from it.
- You should never try to take apart or repair the unit by yourself.
- Before cleaning, turn off the power and unplug the unit.
- Do not use the machine near flammable gas or combustibles, such as gasoline, benzene, thinner, etc.
- Do not drink or use the water drained from the unit.
- Do not take the water bucket out during operation.
- Do not use the unit in small spaces.
- Do not put in places where water may splash onto the unit.
- Place the unit on a level, sturdy section of the floor.
- Do not cover the intake or exhaust openings with cloths or towels.
- Care should be taken when using the unit in a room with the following persons: infants, children, elderly people, and people not sensitive to humidity.
- Do not use in areas where chemicals are handled.
- Never insert your finger or other foreign objects into grills or openings. Take special care to warn children of these dangers.
- Do not place heavy object on the power cord and take care so that the cord is not compressed.
- Do not climb up on or sit on the unit.
- Always insert the filters securely. Clean filter once every two weeks.
- If water enters the unit, turn the unit off and disconnect the power, contact a qualified service technician.
- Do not place flower vases or other water container on top of the unit.

- Do not use extension cords.



Caution

- This appliance can be used by children aged from 8 years and above and person with reduced physical, sensory or mental capabilities or lack of experience and knowledge if they have been given supervision or instruction concerning use of the appliance in a safe way and understand the hazards involved. Children shall not play with the appliance. Cleaning and user maintenance shall not be made by children without supervision. (be applicable for the European Countries).
- This appliance is not intended for use by persons (including children) with reduced physical, sensory or mental capabilities or lack of experience and knowledge, unless they have been given supervision or instruction concerning use of the appliance by a person responsible for their safety. Children should be supervised to ensure that they do not play with the appliance. (be applicable for other countries except the European Countries).
- If the supply cord is damaged, it must be replaced by the manufacturer, its service agent or similarly qualified persons in order to avoid a hazard.
- Prior to cleaning or other maintenance, the appliance must be disconnected from the supply mains.
- Do not install the appliance in a location that may be exposed to combustible gas. If combustible gas accumulates around the unit, it may cause fire.
- If the appliance is knocked over during use, turn off the unit and unplug it from the main power supply immediately. Visually inspect the unit to ensure there is no damage. If you suspect the unit has been damaged, contact a technician or customer service for assistance.
- In a thunderstorm, the power must be cut off to avoid damage to the machine due to lightning.
- Do not run cord under carpeting. Do not cover cord with throw rugs, runners, or similar coverings. Do not route cord under furniture or appliances. Arrange cord away from traffic area and where it will not be tripped over.
- Do not operate unit with a damaged cord or plug. Discard unit or return to an authorized service facility for examination and/or repair.
- To reduce the risk of fire or electric shock, do not use this fan with any solid-state speed control device.
- The appliance shall be installed in accordance with national wiring regulations.
- Contact the authorised service technician for repair or maintenance of this unit.
- Turn off the product when not in use.
- The manufactures nameplate is located on the rear panel of the unit and contains electrical and other technical data specific to this unit.
- Be sure the unit is properly grounded. To minimize shock and fire hazards, proper grounding is important. The power cord is equipped with a three-prong grounding plug for protection against shock hazards.
- Your unit must be used in a properly grounded wall receptacle. If the wall receptacle you intend to use is not adequately grounded or protected by a time delay fuse or circuit breaker(please refer to the nameplate for the electrical data), have a qualified electrician install the proper receptacle.
- Do not operate your dehumidifier in a wet room such as a bathroom or laundry room.
- The units circuit board (PCB) is designed with a fuse to provide overcurrent protection. The specifications of the fuse are printed on the circuit board, such as: T3.15A/250V (or 350V), etc.

Note about fluorinated gasses (not applicable to the unit using R290 refrigerant)

1. Fluorinated greenhouse gases are contained in hermetically sealed equipment. For specific information on the type, the amount and the CO₂ equivalent in tonnes of the fluorinated greenhouse gas (on some models), please refer to the relevant label on the unit itself.
2. Installation, service, maintenance and repair of this unit must be performed by a certified technician.

3. Product uninstallation and recycling must be performed by a certified technician.





Warning for using R32/R290 refrigerant

- Do not use means to accelerate the defrosting process or to clean, other than those recommended by the manufacturer.
- The appliance shall be stored in a room without continuously operating ignition sources (for example: open flames, an operating gas appliance or an operating electric heater).
- Do not pierce or burn.
- Be aware that the refrigerants may not contain an odour.
- Appliance should be installed, operated and stored in a room with a floor area according to the amount of refrigerant to be charged. For specific information on the type of gas and the amount, please refer to the relevant label on the unit itself.
- Appliance should be installed, operated and stored in a room with a floor area larger than 4 m².
- Compliance with national gas regulations shall be observed. Keep ventilation openings clear of obstruction.
- The appliance shall be stored so as to prevent mechanical damage from occurring.
- A warning that the appliance shall be stored in a well-ventilated area where the room size corresponds to the room area as specified for operation.
- Any person who is involved with working on or breaking into a refrigerant circuit should hold a current valid certificate from an industry-accredited assessment authority, which authorises their competence to handle refrigerants safely in accordance with an industry recognised assessment specification.
- Servicing shall only be performed as recommended by the equipment manufacturer. Maintenance and repair requiring the assistance of other skilled personnel shall be carried out under the supervision of the person competent in the use of flammable refrigerants.
- The appliance shall be stored in a room without continuously operating open flames (for example an operating gas appliance) and ignition sources (for example an operating electric heater).



Caution: Risk of fire/
flammable materials

Explanation of symbols displayed on the unit (For the unit adopts R32/R290 Refrigerant only):

	WARNING	This symbol shows that this appliance used a flammable refrigerant. If the refrigerant is leaked and exposed to an external ignition source, there is a risk of fire.
	CAUTION	This symbol shows that the operation manual should be read carefully.
	CAUTION	This symbol shows that a service personnel should be handling this equipment with reference to the installation manual.
	CAUTION	This symbol shows that information is available such as the operating manual or installation manual.

1. Transport of equipment containing flammable refrigerants.

See transport regulations.

2. Marking of equipment using signs.

See local regulations.

3. Disposal of equipment using flammable refrigerants.

See national regulations.

4. Storage of equipment/appliances.

The storage of equipment should be in accordance with the manufacturer's instructions.

5. Storage of packed (unsold) equipment.

Storage package protection should be constructed such that mechanical damage to the equipment inside the package will not cause a leak of the refrigerant charge. The maximum number of pieces of equipment permitted to be stored together will be determined by local regulations.

6. Information on servicing.

A. Checks to the area

Prior to beginning work on systems containing flammable refrigerants, safety checks are necessary to ensure that the risk of ignition is minimised. For repair to the refrigerating system, the following precautions shall be complied with prior to conducting work on the system.

B. Work procedure

Work shall be undertaken under a controlled procedure so as to minimise the risk of a flammable gas or vapour being present while the work is being performed.

C. General work area

All maintenance staff and others working in the local area shall be instructed on the nature of work being carried out. Work in confined spaces shall be avoided. The area around the workspace shall be sectioned off. Ensure that the conditions within the area have been made safe by control of flammable material.

D. Checking for presence of refrigerant

The area shall be checked with an appropriate refrigerant detector prior to and during work, to ensure the technician is aware of potentially flammable atmospheres. Ensure that the leak detection equipment being used is suitable for use with flammable refrigerants, i.e. non-sparking, adequately sealed or intrinsically safe.

E. Presence of fire extinguisher

If any hot work is to be conducted on the refrigeration equipment or any associated parts, appropriate fire extinguishing equipment shall be available to hand. Have a dry powder or CO2 fire extinguisher adjacent to the charging area.

F. No ignition sources

No person carrying out work in relation to a refrigeration system which involves exposing any pipe work that contains or has contained flammable refrigerant shall use any sources of ignition in such a manner that it may lead to the risk of fire or explosion. All possible ignition sources, including cigarette smoking, should be kept sufficiently far away from the site of installation, repairing, removing and disposal, during which flammable refrigerant can possibly be released to the surrounding space. Prior to work taking place, the area around the equipment is to be surveyed to make sure that there are no flammable hazards or ignition risks. No Smoking signs shall be displayed.

G. Ventilated area

Ensure that the area is in the open or that it is adequately ventilated before breaking into the system or conducting any hot work. A degree of ventilation shall continue during the period that the work is carried out. The ventilation should safely disperse any released refrigerant and preferably expel it externally into the atmosphere.

H. Checks to the refrigeration equipment

Where electrical components are being changed, they shall be fit for the purpose and to the correct specification. At all times the manufacturer's maintenance and service guidelines shall be followed. If in doubt consult the manufacturer's technical department for assistance. The following checks shall be applied to installations using flammable refrigerants:

The charge size is in accordance with the room size within which the refrigerant containing parts are installed. The ventilation machinery and outlets are operating adequately and are not obstructed.

If an indirect refrigerating circuit is being used, the secondary circuit shall be checked for the presence of refrigerant; Marking to the equipment continues to be visible and legible. Markings and signs that are illegible shall be corrected.

Refrigeration pipe or components are installed in a position where they are unlikely to be exposed to any substance which may corrode refrigerant containing components, unless the components are constructed of materials which are inherently resistant to being corroded or are suitably protected against being so corroded.

I. Checks to electrical devices

Repair and maintenance to electrical components shall include initial safety checks and component inspection procedures. If a fault exists that could compromise safety, then no electrical supply shall be connected to the circuit until it is satisfactorily dealt with. If the fault cannot be corrected immediately but it is necessary to continue operation, an adequate temporary solution shall be used. This shall be reported to the owner of the equipment so all parties are advised.

Initial safety checks shall include:

That capacitors are discharged: this shall be done in a safe manner to avoid possibility of sparking; That there no live electrical components and wiring are exposed while charging, recovering or purging the system; That there is continuity of earth bonding.

J. Repairs to sealed components

1) During repairs to sealed components, all electrical supplies shall be disconnected from the equipment being worked upon prior to any removal of sealed covers, etc. If it is absolutely necessary to have an electrical supply to equipment during servicing, then a permanently operating form of leak detection shall be located at the most critical point to warn of a potentially hazardous situation.

2) Particular attention shall be paid to the following to ensure that by working on electrical components, the casing is not altered in such a way that the level of protection is affected. This shall include damage to cables, excessive number of connections, terminals not made to original specification, damage to seals, incorrect fitting of glands, etc. Ensure that apparatus is mounted securely. Ensure that seals or sealing materials have not degraded such that they no longer serve the purpose of preventing the ingress of flammable atmospheres. Replacement parts shall be in accordance with the manufacturer's specifications.

Note: The use of silicon sealant may inhibit the effectiveness of some types of leak detection equipment. Intrinsically safe components do not have to be isolated prior to working on them.

K. Repair to intrinsically safe components

Do not apply any permanent inductive or capacitance loads to the circuit without ensuring that this will not exceed the permissible voltage and current permitted for the equipment in use. Intrinsically safe components are the only types that can be worked on while live in the presence of a flammable atmosphere. The test apparatus shall be at the correct rating. Replace components only with parts specified by the manufacturer. Other parts may result in the ignition of refrigerant in the atmosphere from a leak.

L. Cabling

Check that cabling will not be subject to wear, corrosion, excessive pressure, vibration, sharp edges or any other adverse environmental effects. The check shall also take into account the effects of aging or continual vibration from sources such as compressors or fans.

M. Detection of flammable refrigerants

Under no circumstances shall potential sources of ignition be used in the searching for or detection of refrigerant leaks. A halide torch (or any other detector using a naked flame) shall not be used.

N. Leak detection methods

The following leak detection methods are deemed acceptable for systems containing flammable refrigerants. Electronic leak detectors shall be used to detect flammable refrigerants, but the sensitivity may not be adequate, or may need re-calibration. (Detection equipment shall be calibrated in a refrigerant-free area.) Ensure that the detector is not a potential source of ignition and is suitable for the refrigerant used. Leak detection equipment shall be set at a percentage of the LFL of the refrigerant and shall be calibrated to the refrigerant employed and the appropriate percentage of gas (25 % maximum) is confirmed. Leak detection fluids are suitable for use with most refrigerants but the use of detergents containing chlorine shall be avoided as the chlorine may react with the refrigerant and corrode the copper pipe-work. If a leak is suspected, all naked flames shall be removed/ extinguished.

If a leakage of refrigerant is found which requires brazing, all of the refrigerant shall be recovered from the system, or isolated (by means of shut off valves) in a part of the system remote from the leak.

Oxygen free nitrogen (OFN) shall then be purged through the system both before and during the brazing process.

O. Removal and evacuation

When breaking into the refrigerant circuit to make repairs or for any other purpose conventional procedures shall be used. However, it is important that best practice is followed since flammability is a consideration. The following procedure shall be adhered to:

Remove refrigerant; Purge the circuit with inert gas; Evacuate; Purge again with inert gas; Open the circuit by cutting or brazing.

The refrigerant charge shall be recovered into the correct recovery cylinders. The system shall be flushed with OFN to render the unit safe. This process may need to be repeated several times. Compressed air or oxygen shall not be used for this task. Flushing shall be achieved by breaking the vacuum in the system with OFN and continuing to fill until the working pressure is achieved, then venting to atmosphere, and finally pulling down to a vacuum. This process shall be repeated until no refrigerant is within the system. When the final OFN charge is used, the system shall be vented down to atmospheric pressure to enable work to take place. This operation is absolutely vital if brazing operations on the pipe-work are to take place. Ensure that the outlet for the vacuum pump is not close to any ignition sources and there is ventilation available.

P. Charging procedures

In addition to conventional charging procedures, the following requirements shall be followed. Ensure that contamination of different refrigerants does not occur when using charging equipment. Hoses or lines shall be as short as possible to minimise the amount of refrigerant contained in them.

Cylinders shall be kept upright.

Ensure that the refrigeration system is earthed prior to charging the system with refrigerant. Label the system when charging is complete (if not already).

Extreme care shall be taken not to overfill the refrigeration system. Prior to recharging the system it shall be pressure tested with OFN. The system shall be leak tested on completion of charging but prior to commissioning. A follow up leak test shall be carried out prior to leaving the site.

Q. Decommissioning

a) Before carrying out this procedure, it is essential that the technician is completely familiar with the equipment and all its detail. It is recommended good practice that all refrigerants are recovered safely. Prior to the task being carried out, an oil and refrigerant sample shall be taken in case analysis is required prior to re-use of reclaimed refrigerant. It is essential that electrical power is available before the task is commenced. Become familiar with the equipment and its operation. b) Isolate system electrically. c) Before attempting the procedure ensure that: Mechanical handling equipment is available, if required, for handling refrigerant cylinders; All personal protective equipment is available and being used correctly; The recovery process is supervised at all times by a competent person; Recovery equipment and cylinders conform to the appropriate standards. d) Pump down refrigerant system, if possible. e) If a vacuum is not possible, make a manifold so that refrigerant can be removed from various parts of the system. f) Make sure that cylinder is situated on the scales before recovery takes place. g) Start the recovery machine and operate in accordance with manufacturer's instructions. h) Do not overfill cylinders. (No more than 80 % volume liquid charge). i) Do not exceed the maximum working pressure of the cylinder, even temporarily. j) When the cylinders have been filled correctly and the process completed, make sure that the cylinders and the equipment are removed from site promptly and all isolation valves on the equipment are closed off. k) Recovered refrigerant shall not be charged into another refrigeration system unless it has been cleaned and checked.

R. Labelling

Equipment shall be labelled stating that it has been de-commissioned and emptied of refrigerant. The label shall be dated and signed. Ensure that there are labels on the equipment stating the equipment contains flammable refrigerant.

S. Recovery

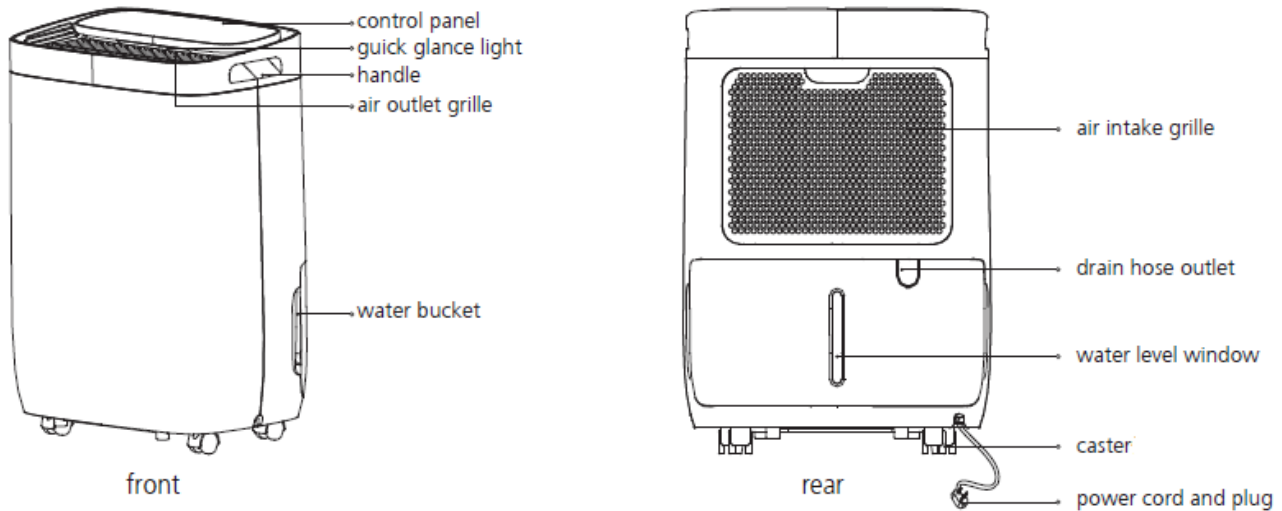
When removing refrigerant from a system, either for servicing or decommissioning, it is recommended good practice that all refrigerants are removed safely. When transferring refrigerant into cylinders, ensure that only appropriate refrigerant recovery cylinders are employed. Ensure that the correct number of cylinders for holding the total system charge is available. All cylinders to be used are designated for the recovered refrigerant and labelled for that refrigerant (i.e. special cylinders for the recovery of refrigerant). Cylinders shall be complete with pressure relief valve and associated shut-off valves in good working order. Empty recovery cylinders are evacuated and, if possible, cooled before recovery occurs. The recovery equipment shall be in good working order with a set of instructions

concerning the equipment that is at hand and shall be suitable for the recovery of flammable refrigerants. In addition, a set of calibrated weighing scales shall be available and in good working order. Hoses shall be complete with leak-free disconnect couplings and in good condition. Before using the recovery machine, check that it is in satisfactory working order, has been properly maintained and that any associated electrical components are sealed to prevent ignition in the event of a refrigerant release.

Consult manufacturer if in doubt. The recovered refrigerant shall be returned to the refrigerant supplier in the correct recovery cylinder, and the relevant Waste Transfer Note arranged. Do not mix refrigerants in recovery units and especially not in cylinders. If compressors or compressor oils are to be removed, ensure that they have been evacuated to an acceptable level to make certain that flammable refrigerant does not remain within the lubricant. The evacuation process shall be carried out prior to returning the compressor to the suppliers. Only electric heating to the compressor body shall be employed to accelerate this process. When oil is drained from a system, it shall be carried out safely.

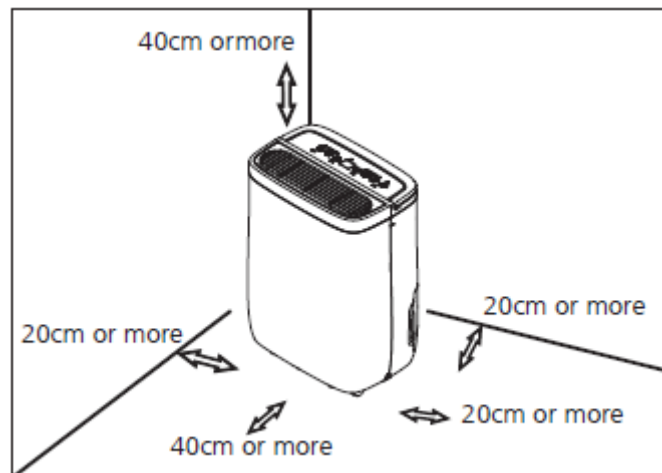
3. PREPARATION

Identification of parts



In order to ensure the optimal performance of our products, the design specifications of the unit are subject to change without prior notice.

Positioning the unit



Casters (at four points on the bottom of unit)

- Casters can move freely.
- Do not force casters to move over carpet, nor move the unit with water in the bucket (the unit may tip over and spill water).

A dehumidifier operating in a basement will have little or no effect in drying an adjacent enclosed storage area, such as a closet, unless there is adequate circulation of air in and out of the area.

- Do not use outdoors.
- This dehumidifier is intended for indoor residential applications only. This dehumidifier should not be used for commercial or industrial applications.
- Place the dehumidifier on a smooth, level floor strong enough to support the unit with a full bucket of water.

- Allow at least 20cm of air space on all sides of the unit for good air circulation (at least 40cm of air space on air outlet).
- Place the unit in an area where the temperature will not fall below 5°C (41°F). The coils can become covered with frost at temperatures below 5°C (41°F), which may reduce performance.
- Place the unit away from the clothes dryer, heater or radiator.
- Use the unit to prevent moisture damage anywhere books or valuables are stored.
- Use the dehumidifier in a basement to help prevent moisture damage.
- The dehumidifier must be operated in an enclosed area to be most effective.
- Close all doors, windows and other outside openings to the room.

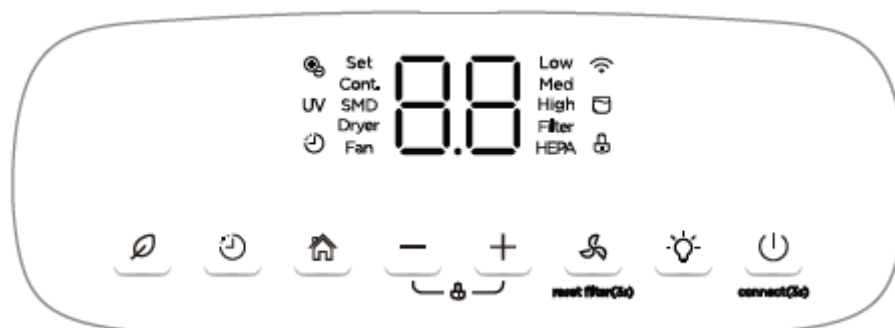
When using the unit













- When first using the dehumidifier in Continuous dehumidifying mode, make sure the connection of the water hose and the drain hose outlet of the unit is tight and do not let the water leak.
- This unit is designed to operate with a working environment between 5°C/41°F and 32°C/90°F and between 30%(RH) and 80%(RH).
- If the unit has been switched off and needs to be switched on again quickly, allow approximately three minutes for the correct operation to resume.
- Do not connect the dehumidifier to a multiple socket outlet, which is also being used for other electrical appliances.
- Select a suitable location, making sure you have easy access to an electrical outlet.
- Plug the unit into a electrical socket-outlet with earth connection.
- Make sure the Water bucket is correctly fitted other- wise the unit will not operate properly.
Note: When the water in the bucket reaches to a certain level, please be careful to move the machine to avoid it falling down.

4. OPERATING INSTRUCTIONS

Control panel features

Note: The following control panels are for explanation purpose only. The control panel of the unit you purchased may be slightly different according to the models. Your machine may not contain some indicators or buttons. The actual shape shall prevail.



Indicator	Function	Indicator	Function	Indicator	Function
	Timer button / light		Fan speed button		Quick glance light button
	Mode button		Fresh button		Water full light
	Power button		UP and Down button		UV light (not available for this model)
	Lock light		Wireless light		Fresh light

Power button

Press to turn the dehumidifier on and off.

Mode button

- Press to select the desired operation mode from Setting dehumidifying, Dryer model, Smart dehumidifying, Continuous dehumidifying and Fan mode (on some models).
- In Setting dehumidifying mode, the set indicator light illuminates.

Note: In Continuous dehumidifying, Dryer and Smart dehumidifying modes, the humidity setting can't be adjusted.

In Fan mode the unit do not dehumidify.

Install the HEPA (High Efficiency Particulate Air), the unit cannot adjust mode and the HEPA light will illuminate.

Timer button

- Press to initiate the Auto start or Auto stop feature, in conjunction with the + and – buttons. When the unit is on, press the Timer button to activate the Auto stop feature. When the unit is off, press this button to activate the Auto start feature.
- Press or hold the + and - button to change the Auto time by 0.5 hour increments, up to 10 hours, then at 1 hour increments up to 24 hours.
- The control will count down the time remaining until start.
- The selected time will register in 5 seconds and the system will automatically revert back to display the previous humidity setting.
- Turning the unit ON or OFF at any time or adjusting the timer setting to 0.0 will cancel the Auto start or Auto stop feature.
- When LED display window displays the code of P2, the Auto start or Auto stop feature will also be cancelled.

Up (+)/Down (-) buttons

- Humidity Set Control buttons
The humidity level can be set within a range of 35% RH (Relative Humidity) to 85%RH (Relative Humidity) in 5% increments. For drier air, press the - button and set to a lower percent value (%). For damper air, press the + button and set a higher percent value (%).
- TIMER Set Control buttons
Use the Up/Down buttons to set the Auto start and Auto stop time from 0.0 to 24.

Fan speed button

- Control the fan speed. Press to select fan speed in three steps-low, med and high. The fan speed indicator light illuminates under different fan speed settings.
- Press and hold the Fan speed button for 3 seconds to eliminate filter reminder, when the filter light flickers (on some models).

Note: The unit operates for 250 hours, then enter filter clean reminder.

Wireless button

- Press and hold on the POWER button for 3 seconds to initiate the Wireless connection mode. The LED DISPLAY shows „AP” to indicate you can set Wireless connection.
- If connection (router) is successful within 8 minutes, the unit will exit Wireless connection mode automatically and the Wireless indicator illuminates and the unit enters the previous function. If connection is failure within 8 minutes, the unit exits the Wireless connection mode automatically.

Note: When the unit is connecting to internet, the quick glance light will flash white light.


Fresh button

Press FRESH buttons to initiate FRESH feature, and the fresh indicator light illuminates (The fresh indicator light and the UV indicator light illuminate at the same time on some models; Only the UV indicator light illuminate on some models).The ion generators energized and UV (UltraViolet) feature will help to purify the air inside. Press FRESH buttons again to stop FRESH feature, and the fresh indicator light turns dark.

Lock feature

- Press and hold on the Up (+) and Down (-) buttons for 3 seconds to initiate LOCK feature and the Lock indicator light illuminates. All current settings are locked, and the control panel will not accept any operation except of the LOCK.
- Press and hold these two buttons button again to cancel the LOCK feature.

Quick glance light button

- Press  buttons to illuminate the quick glance light or turn quick glance light dark.
- When the humidity is more than 65%, the quick glance light will emit red light.
- When the humidity range is at 45% to 65%, the quick glance light will emit green light.
- When the humidity is lower than 45%, the quick glance light will emit yellow light.

Note: When bucket full or clean filter is on, the quick glance light will emit orange light and turn off 1 sec every 4 sec.

Display

Shows the set % humidity level from 35% to 85% or auto start/stop time (0~24) while setting, then shows the actual ($\pm 5\%$ accuracy) room % humidity level in a range of 30% RH(Relative Humidity) to 90% RH (Relative Humidity).

Error Codes:

EH60 - Humidity sensor error - Unplug the unit and plug it back in. If error repeats, call for service.

EH61 - Tube Temperature sensor of the evaporator error-- Unplug the unit and plug it back in. If error repeats, call for service.

EH02 - Zero-crossing signal detection error; If error repeats, call for service;

EH03 - Indoor fan speed malfunction; If error repeats, call for service;

EH0b - Indoor PCB and display board communication error; If error repeats, call for service;

Protection Code:

P2 - Bucket is full or bucket is not in right position - Empty the bucket and replace it in the right position. On some models, the water full light illuminates.

Note: When one of the above malfunctions occurs, turn off the unit, and check for any obstructions.

Restart the unit, if the malfunction is still present, turn off the unit and unplug the power cord.

Contact the service agents.

Other features

Bucket full light

Glowes when the bucket is ready to be emptied, or when the bucket is removed or not replaced in the proper position.

Auto defrost

When frost builds up on the evaporator coils, the compressor will cycle off and the fan will continue to run until the frost disappears.

Auto shut off

- The dehumidifier shuts off when the bucket is full, or when the bucket is removed or not replaced in the proper position.
- For some models, the fan motor will continue to run for 30 seconds.

Fresh light

For some models, the ion generators energized and will help to purify the air inside.

Wait 3 minutes before resuming operation

After the unit has stopped, it cannot be restart operation in the first 3 minutes. This is to protect the unit. Operation will automatically start after 3 minutes.

Auto-restart

If the unit breaks off unexpectedly due to the power cut, it will restart with the previous function setting automatically when the power resumes.

Continuous dehumidifying mode

At continuous dehumidifying mode, the unit dehumidify continuously and cannot select humidity. Press mode button to exit continuous dehumidifying mode.

Smart dehumidifying mode

At smart dehumidifying mode, the unit will automatically control room humidity in a comfortable range 45%~55% according to the room temperature. The humidity setting function will be invalid.

Setting dehumidifying mode

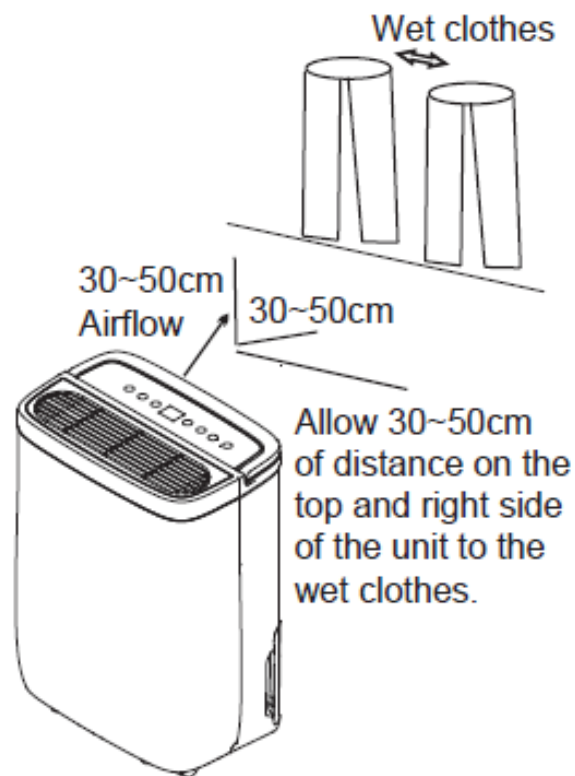
At setting dehumidifying mode, the unit can be adjusted in arrange 35%~85%, and the humidity setting can be adjusted(increase/decreasing) in 5%. Press MODE button to exit setting dehumidifying mode.

Dryer mode

The unit can make the MAX dehumidification function when it is under Dryer mode. The fan speed can't be adjusted.

Note:

1. The dryer (model dependent) mode must be operated in a close room, do not open the door and window.
2. To make the best effective dehumidification, please first dehydrate the wet clothes.
3. Make sure to direct airflow at the wet clothes.
4. For thick and heavy wet clothes may not get the best effective dehumidification.



Filter/HEPA light

The check filter feature is a reminder to clean the Air Filter for more efficient operation. The Filter light (HEPA light) will flicker after 250 hours of operation. To reset after cleaning the filter, press the Fan button for 3 seconds and the light will go off.

HEPA filter

- Install the HEPA (High Efficiency Particulate Air), the unit will only operate under fan mode, and the HEPA light will illuminate.
- Make sure you have fitted the HEPA filter as indicated in below picture.

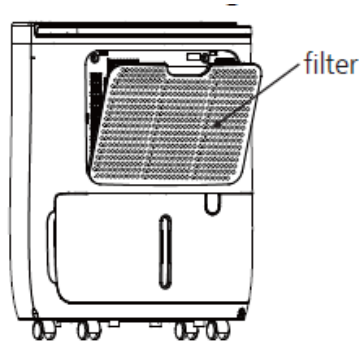


Fig1.Remove the filter

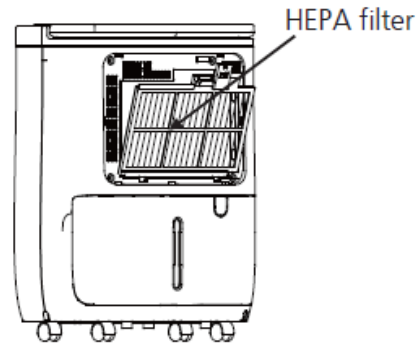


Fig2. Insert the lower side of the HEPA filter into the unit.

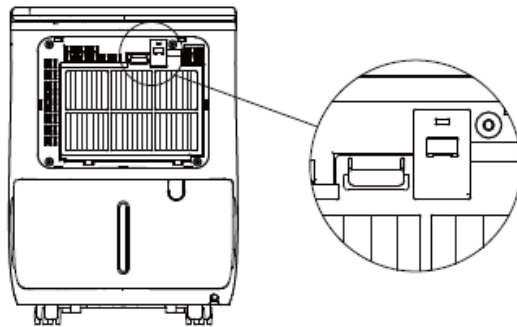


Fig3.Clip the upper side as shown.

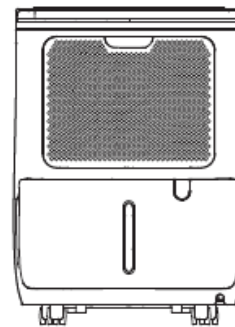


Fig4.Install the filter

Removing the collected water

There are two ways to remove collected water.

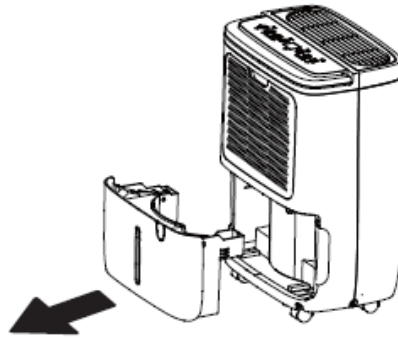
A. Use the bucket

- When the bucket is full, the unit will automatically stop running, and the Full indicator light will flash.
- Slowly pull out the bucket. Grip the left and right handles securely, and carefully pull out straight so water does not spill. Do not put the bucket on the floor because the bottom of the bucket is uneven. Otherwise the bucket will fall and cause the water to spill.
- Throw away the water from the water outlet and replace the bucket. The bucket must be in place and securely seated for the dehumidifier to operate. The machine will restart when the bucket is restored in its correct position.

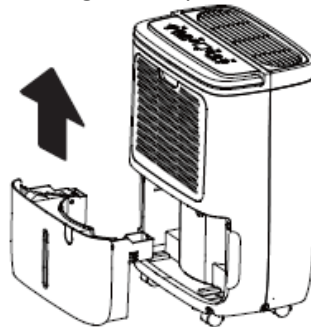
Note:

- When you remove the bucket, do not touch any parts inside of the unit. Doing so may damage the product.
- Be sure to push the bucket gently all the way into the unit. Banging the bucket against anything or failing to push it in securely may cause the unit not to operate.
- When you remove the bucket, if there is some water in the unit you must dry it.

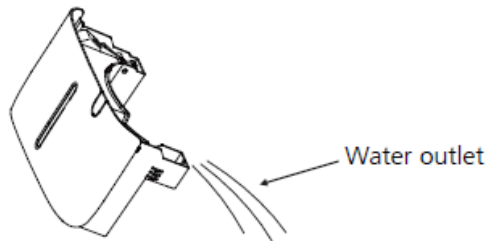
1. Pull out the bucket a little.



2. Hold both sides of the bucket with even strength, and pull it out from the unit.



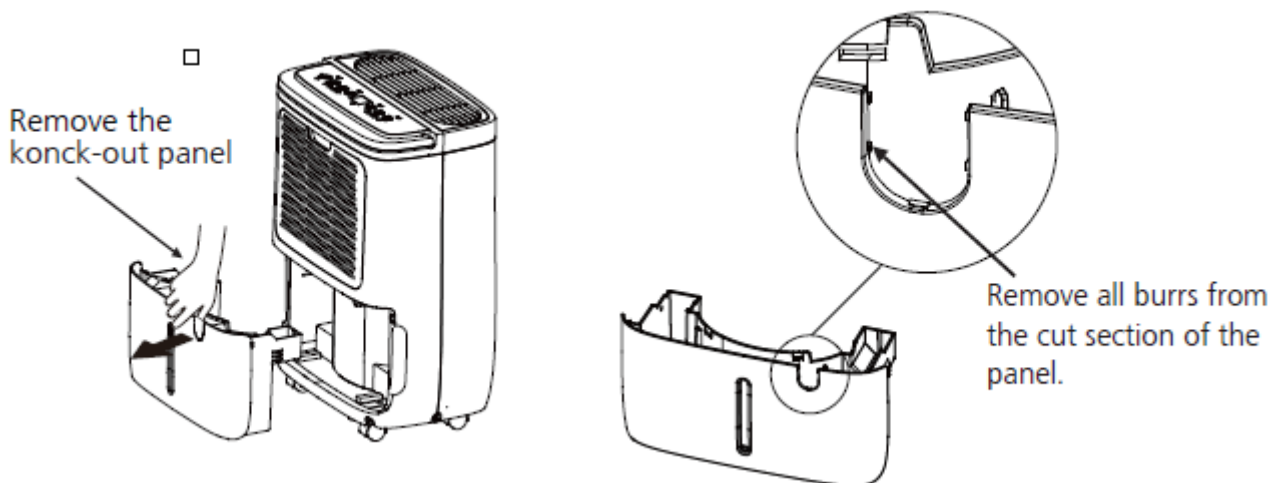
3. Pour the water out (the bucket of the unit you purchased may be slightly different).



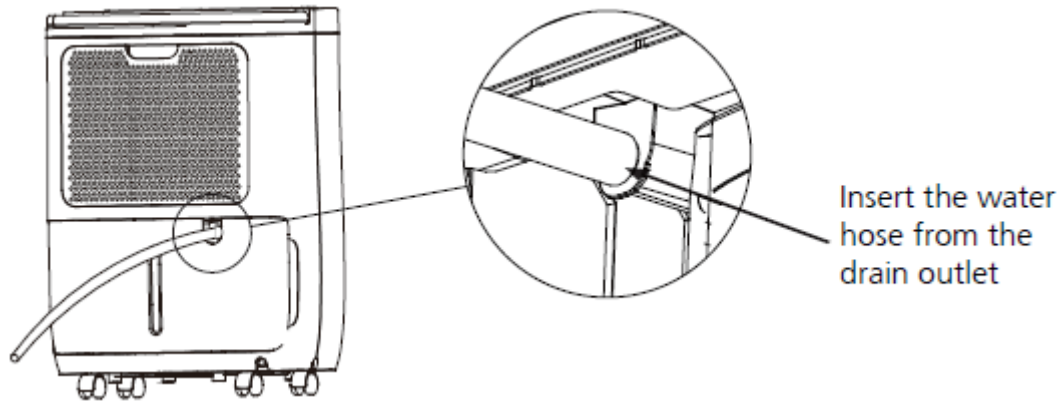
B. Continuous draining

Water can be automatically emptied into a floor drain by attaching the unit with a water hose (ϕ 16.5*13.5 mm) (not included).

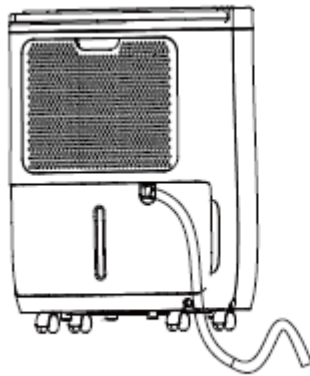
- Remove the plastic konckout panel from the upper side of the bucket.



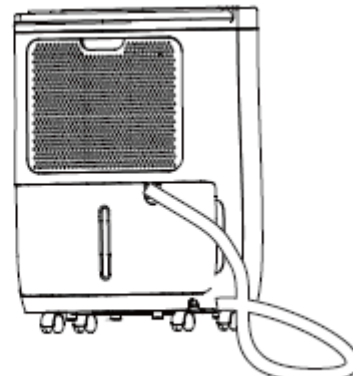
- Insert the water hose into the unit from the drain outlet in the back of the unit.
- Attach the water hose to the drain hose outlet of the unit.
- Make sure the connection of the water hose and the drain hose outlet of the unit is tight and do not let the water leak.



- Then lead the water hose to the floor drain or a suitable drainage facility. The drainage facility should be lower than the drain outlet of the unit. Be sure to run the water hose sloping downward and let the water to flow out smoothly. Do not install the water hose.



Do not block water flow by a rise.



Do not block water flow by a retortion.

- Make sure the water hose is lower than the drain hose outlet.

Note:

- When the continuous drain feature is not being used, remove the drain hose from the outlet.
- Use needle nose pliers if the plastic panel is too difficult to remove by hand.
- Burrs may hurt hand while connecting the drain hose. Please using a reamer or a deburring tool to remove all burrs from the cut section of the panel.

5. CARE AND MAINTENANCE

Turn the dehumidifier off and remove the plug from the wall outlet before cleaning.

Clean the grille and case

- Use water and a mild detergent. Do not use bleach or abrasives.
- Do not splash water directly onto the main unit. Doing so may cause an electrical shock, cause the insulation to deteriorate, or cause the unit to rust.
- The air intake and outlet grilles get soiled easily, so use a vacuum attachment or brush to clean.

Clean the bucket

Every few weeks, clean the bucket to prevent growth of mold, mildew and bacteria. Partially fill the bucket with clean water and add a little mild detergent. Swish it around in the bucket, empty and rinse.

Note: Do not use a dishwasher to clean the bucket. After clean, the bucket must be in place and securely seated for the dehumidifier to operate.

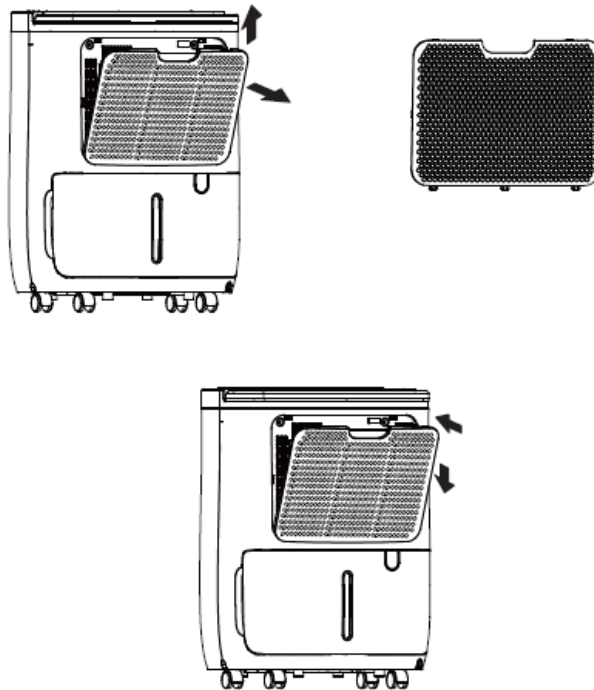
Clean the air filter

The air filter behind the front grille should be checked and cleaned at least every two weeks or more often if necessary.

Note: Do not rinse or put the filter in an automatic dishwasher.

To remove:

- Grip the tab on the filter and pull it outward, then pull it up.
- Clean the filter with warm, soapy water. Rinse and let the filter dry before replacing it. Do not clean the filter in a dishwasher.



To attach:

- Insert the air filter into the unit from underside to upside.



Caution

Do not operate the dehumidifier without a filter because dirt and lint will clog it and reduce performance.

Note: The cabinet and front may be dusted with an oil-free cloth or washed with a cloth dampened in a solution of warm water and mild liquid dishwashing detergent. Rinse thoroughly and wipe dry. Never use harsh cleansers, wax or polish on the cabinet front. Be sure to wring excess water from the cloth before wiping around the controls. Excess water in or around the controls may cause damage to the unit.

When not using the unit for long time periods

- After turning off the unit, wait one day before emptying the bucket.
- Clean the main unit, water bucket and air filter.
- Cover the unit with a plastic bag.
- Store the unit upright in a dry, well-ventilated place.

6. TROUBLESHOOTING

Before calling for service, review the chart below first yourself.

Problem	What to check
Unit does not start	<ul style="list-style-type: none">• Make sure the dehumidifiers plug is pushed completely into the outlet.• Check the house fuse/circuit breaker box.• Dehumidifier has reached its preset level or bucket is full.• Water bucket is not in the proper position.
Dehumidifier does not dry the air as it should	<ul style="list-style-type: none">• Do not allow enough time to remove the moisture.• Make sure there are no curtains, blinds or furniture blocking the front or back of the dehumidifier.• The humidity control may not be set low enough.• Check that all doors, windows and other openings are securely closed.• Room temperature is too low, below 5°C (41° F).• There is a kerosene heater or something giving off water vapor in the room.
The unit makes a loud noise when operating	<ul style="list-style-type: none">• The air filter is clogged.• The unit is tilted instead of upright as it should be.• The floor surface is not level.
Frost appears on the coils	<ul style="list-style-type: none">• This is normal. The dehumidifier has Auto-defrost feature.
Water on floor	<ul style="list-style-type: none">• Hose to connector or hose connection may be loose.
EH60, EH61, EH02, EH03, EH0b, P2 appear in the display	<ul style="list-style-type: none">• These are error codes and protection codes. See the CONTROL PANEL FEATURES section.



Environment friendly disposal

You can help protect the environment!

Please remember to respect the local regulations: hand in the non-working electrical equipment's to an appropriate waste disposal center.



FRAM is a registered trademark of **Network One Distribution SRL**. Other brands and product names are trademarks or registered trademarks of their respective holders.

No part of the specifications may be reproduced in any form or by any means or used to make any derivative such as translation, transformation, or adaptation without permission from NETWORK ONE DISTRIBUTION.

Copyright © 2013 Network One Distribution. All rights reserved.

www.framelectrocasnice.ro; www.framappliances.com; www.nod.ro



This product is in conformity with norms and standards of European Community.



Importer: Network One Distribution

Marcel Iancu, 3-5, Bucharest, Romania

Tel: +40 21 211 18 56, www.framelectrocasnice.ro, www.nod.ro

Fram



Dezumidicator

FDU-M12

Capacitate de dezumidificare: 12 L
Culoare: alb



Vă mulțumim pentru alegerea acestui produs Fram!

1. INTRODUCERE

Vă rugăm să citiți instrucțiunile cu atenție și să păstrați manualul pentru consultări ulterioare.

Acest manual are scopul de a vă oferi toate instrucțiunile necesare cu privire la instalarea, utilizarea și întreținerea aparatului. Pentru utilizarea corectă și în siguranță a aparatului, vă rugăm să citiți cu atenție acest manual de instrucțiuni înainte de instalare și utilizare.

2. MĂSURI DE PRECAUȚIE

Pentru a preveni decesul sau rănirea utilizatorului sau a altor persoane și deteriorarea bunurilor, trebuie respectate instrucțiunile următoare. Utilizarea incorectă ca urmare a ignorării instrucțiunilor poate cauza decesul, accidentări sau deteriorări.



Avertisment: Acest simbol indică pericolul de vătămare corporală sau deces.



Atenție: Acest simbol indică riscul de producere a unor pagube materiale sau consecințe grave.



Avertismente:

- Nu depășiți capacitatea prizei electrice sau a cablului de conectare la sursa de alimentare.
- Nu porniți și nu opriți aparatul prin pornirea sau oprirea sursei de alimentare.
- Nu deteriorați cablul de alimentare și nu utilizați un cablu de alimentare nerecomandat.
- Nu modificați lungimea cablului de alimentare și nu alimentați alte aparate de la aceeași priză.
- Nu scoateți/introduceți ștecărul din/în priză cu mâinile ude.
- Nu instalați aparatul într-un spațiu care poate fi expus la gaze inflamabile.
- Nu amplasați aparatul în apropierea surselor de căldură.
- Deconectați aparatul de la sursa de alimentare în cazul în care acesta emite zgomote neobișnuite, miros sau fum.
- Nu încercați să demontați sau să reparați aparatul pe cont propriu.
- Înainte de curățare, opriți alimentarea cu energie și scoateți ștecărul din priză.
- Nu utilizați aparatul în apropierea gazelor sau combustibililor, cum ar fi benzina, benzenul, diluantul etc.
- Nu consumați și nu utilizați apa din aparat.
- Nu îndepărtați recipientul pentru colectarea apei în timpul funcționării aparatului.
- Nu utilizați aparatul în spații mici.
- Nu puneți aparatul în locuri unde poate fi stropit cu apă.
- Așezați aparatul într-o zonă netedă și rezistentă a podelei.
- Nu acoperiți cu cârpe sau prosoape orificiile de admisie sau evacuare a aerului.
- Aveți grijă atunci când folosiți aparatul într-o cameră în care se află următoarele categorii de persoane: bebeluși, copii, persoane în vârstă și persoane cu afecțiuni respiratorii.
- Nu folosiți aparatul în zone în care sunt manipulate substanțe chimice.
- Nu introduceți degetele sau obiecte străine în grile sau orificii. Acordați atenție deosebită avertizării copiilor cu privire la aceste pericole.
- Nu așezați obiecte grele pe cablul de alimentare și aveți grijă ca acesta să nu fie strivit.
- Nu vă urcați și nu vă așezați pe aparat.
- Fixați bine filtrele. Curățați-le la fiecare două săptămâni.
- Dacă pătrunde apă în aparat, opriți aparatul și deconectați-l de la sursa de alimentare, apoi contactați un tehnician calificat.
- Nu așezați vase de flori sau alte recipiente cu apă pe aparat.
- Nu utilizați prelungitoare.



Atenție!

- Aparatul poate fi utilizat de către copii cu vârste începând de la 8 ani și de către persoane cu capacități fizice, senzoriale sau mentale reduse, cu lipsă de experiență sau cunoștințe, numai dacă acestea sunt supravegheate sau instruite în ceea ce privește utilizarea în siguranță a aparatului și dacă înțeleg pericolele pe care le implică utilizarea. Copiii nu au voie să se joace cu aparatul. Curățarea și întreținerea nu trebuie efectuate de către copii nesupravegheați (prevedere aplicabilă pentru statele din Uniunea Europeană).
- Aparatul nu este destinat utilizării de către persoane (inclusiv copii) care au capacități fizice, senzoriale sau mentale reduse, sau cărora le lipsesc experiența și cunoștințele necesare, decât dacă sunt supravegheate sau au fost instruite cu privire la utilizarea aparatului de către o persoană care răspunde pentru siguranța acestora. Copiii trebuie supravegheați, astfel încât aceștia să nu se joace cu aparatul (prevedere aplicabilă pentru alte state decât cele din Uniunea Europeană).
- Pentru evitarea pericolelor, în cazul în care cablul de alimentare este deteriorat, acesta trebuie înlocuit de către producător, de către agentul său de service sau de persoane cu o calificare similară.
- Înainte de curățare sau de efectuarea altor operații de întreținere, aparatul trebuie să fie deconectat de la sursa de alimentare cu energie electrică.
- Nu instalați aparatul într-un spațiu care poate fi expus la gaze inflamabile. Dacă se acumulează gaze inflamabile în apropierea aparatului, acestea pot cauza incendiu.
- Dacă aparatul este răsturnat în timpul utilizării, opriți-l și deconectați-l imediat de la sursa de alimentare. Examinați vizual aparatul pentru a vă asigura ca acesta nu prezintă deteriorări. Dacă bănuieți că aparatul a fost avariat, contactați un tehnician sau serviciul de asistență pentru clienți.
- Pe timp de furtună, alimentarea cu energie electrică trebuie oprită, pentru a evita deteriorarea aparatului din cauza descărcărilor electrice.
- Nu treceți cablul de alimentare pe sub covoare. Nu acoperiți cablul de alimentare cu covoare, traverse sau alte obiecte similare. Nu poziționați cablul pe sub mobilier sau aparate. Dispuneți cablul de alimentare departe de zonele cu trafic, pentru a nu vă împiedica de el.
- Nu utilizați aparatul dacă ștecărul sau cablul de alimentare prezintă deteriorări. Scoateți din funcțiune aparatul sau apelați la centru de reparații specializat, în vederea verificării și depanării aparatului.
- Pentru reducerea pericolului de electrocutare, nu utilizați acest aparat cu reglatoare electronice.
- Aparatul trebuie instalat în conformitate cu reglementările aplicabile privind instalațiile electrice.
- Pentru repararea sau întreținerea acestui aparat, contactați un tehnician de service autorizat.
- Opriți aparatul atunci când nu îl utilizați.
- Plăcuța cu date tehnice este situată pe panoul posterior al aparatului și conține date electrice și alte date tehnice specifice acestui aparat.
- Asigurați-vă că aparatul este împământat corespunzător. Pentru reducerea la minimum a riscurilor de electrocutare și incendiu, împământarea corespunzătoare are o importanță deosebită. Cablul de alimentare este dotat cu o fișă de împământare cu trei știfturi de contact pentru protecție împotriva pericolelor de electrocutare.
- Aparatul trebuie alimentat de la o priză de perete conectată la împământare în mod corespunzător. În cazul în care priza de perete pe care intenționați s-o folosiți nu este împământată în mod adecvat sau nu este protejată de o siguranță cu întârziere sau un disjuncteur (pentru datele electrice, vă rugăm să consultați plăcuța cu informații tehnice), solicitați unui electrician calificat să instaleze o priză corespunzătoare.
- Nu folosiți dezumidificatorul într-o cameră umedă, cum ar fi o cameră de baie sau o spălătorie.
- Placa de circuite integrate a aparatului este prevăzută cu o siguranță pentru protecție la supracurent. Specificațiile siguranței sunt imprimate pe placa de circuite: T3.15 A/250 V (sau 350 V), etc.

Informații privind gazele fluorurate (nu se aplică în cazul aparatelor care funcționează cu agent frigorific R290)

1. Gazele fluorurate cu efect de seră sunt ținute în echipamente sigilate ermetic. Pentru informații specifice privind tipul, cantitatea și echivalentul de CO2 în tone al gazelor fluorurate cu efect de seră (în cazul unor modele), vă rugăm să consultați informațiile specificate pe eticheta de pe aparat.
2. Instalarea, depanarea, întreținerea și repararea acestui aparat trebuie să fie efectuate de către un tehnician calificat.
3. Demontarea și reciclarea produsului trebuie să fie efectuate de către un tehnician calificat.





Avertismente privind utilizarea agentului frigorific R32/R290

- Nu utilizați mijloace pentru accelerarea procesului de dezghețare sau pentru a curăța sistemul, altele decât cele recomandate de către producător.
- Aparatul trebuie să fie depozitat într-o încăpere fără flăcări deschise continue (de exemplu, flăcări deschise, un aragaz aflat în funcțiune sau un încălzitor electric aflat în funcțiune).
- Nu perforați și nu ardeți componentele.
- Țineți cont de faptul că este posibil ca agenții de refrigerare să nu aibă miros.
- Aparatul trebuie instalat, utilizat și depozitat într-o încăpere cu o suprafață utilă care să corespundă cantității de agent frigorific ce urmează a fi încărcate. Pentru informații cu privire la tipul gazului și la cantitatea acestuia, vă rugăm să consultați eticheta de pe aparat.
- Aparatul trebuie instalat, utilizat și depozitat într-o încăpere cu o suprafață utilă mai mare de 4 m².
- Se impune respectarea reglementărilor naționale privind gazele. Nu acoperiți orificiile de ventilație ale aparatului.
- Aparatul trebuie depozitat astfel încât să se prevină producerea deteriorărilor mecanice.
- Aparatul trebuie să fie depozitat într-o zonă bine ventilată, unde dimensiunea încăperii să corespundă suprafeței prevăzute pentru funcționare.
- Orice persoană care este implicată în lucrul cu un agent frigorific sau asupra unui circuit de răcire trebuie să dețină un certificat valabil emis de către o autoritate de evaluare acreditată în domeniu, care să aibă competența de a autoriza tratarea în condiții de siguranță a agenților frigorifici, în conformitate cu criteriile de evaluare recunoscute în domeniu.
- Reparațiile trebuie efectuate numai conform recomandărilor producătorului. Operațiile de întreținere și depanare care necesită asistență din partea unui alt personal calificat trebuie efectuate sub supravegherea persoanei calificate pentru utilizarea agenților frigorifici inflamabili.
- Aparatul trebuie să fie depozitat într-o încăpere fără flăcări deschise continue (de exemplu, un aparat care funcționează pe gaz) și surse de aprindere (de exemplu, un încălzitor electric).



Atenție! Pericol de incendiu!
Materiale inflamabile!

Explicarea simbolurilor de pe aparat (numai pentru agentul frigorific R32/R290):

	AVERTISMENT!	Acest simbol indică faptul că aparatul funcționează cu un agent frigorific inflamabil. Dacă agentul frigorific scurs este expus la o sursă de aprindere, există pericol de incendiu.
	ATENȚIE!	Acest simbol indică faptul că manualul de utilizare trebuie citit cu atenție.
	ATENȚIE!	Acest simbol indică faptul că echipamentul trebuie să fie manipulat de către un tehnician calificat, cu respectarea instrucțiunilor din manualul de instalare.
	ATENȚIE!	Acest simbol indică faptul că sunt disponibile informații suplimentare în manualul de utilizare sau în cel de instalare.

1. Transportul echipamentelor care conțin agenți frigorifici inflamabili.

Consultați reglementările în materie de transport.

2. Marcarea echipamentului cu semne.

Consultați reglementările locale.

3. Eliminarea echipamentelor care funcționează cu agenți frigorifici inflamabili.

Consultați reglementările naționale.

4. Depozitarea echipamentelor/aparatelor.

Depozitarea echipamentelor trebuie realizată în conformitate cu instrucțiunile producătorului.

5. Depozitarea echipamentelor ambalate (nevândute).

Protecția pachetelor în vederea depozitării trebuie realizată astfel încât deteriorarea mecanică a echipamentului din interiorul ambalajului să nu cauzeze o scurgere a agentului frigorific încărcat. Numărul maxim de echipamente care pot fi depozitate împreună trebuie să respecte reglementările locale.

6. Informații privind reparațiile.

A. Verificările locale

Înainte de a începe lucrul asupra sistemelor care conțin agenți frigorifici inflamabili, sunt necesare verificări de siguranță pentru a reduce la minimum riscul de aprindere. Pentru repararea sistemului de răcire, trebuie respectate următoarele măsuri de siguranță înainte de efectuarea lucrărilor asupra sistemului.

B. Procedura de lucru

Lucrările se efectuează în cadrul unei proceduri controlate, astfel încât să se reducă la minimum riscul prezenței gazelor inflamabile sau a vaporilor în timpul lucrului.

C. Zona de lucru generală

Toți membrii personalului responsabil de întreținere și ceilalți care lucrează în zone specifice trebuie instruiți cu privire la natura activității pe care o desfășoară. A se evita lucrul în spații închise. Zona din jurul spațiului de lucru trebuie izolată. Verificați materialul inflamabil pentru a garanta lucrul în condiții de siguranță.

D. Verificarea prezenței agentului frigorific

Zona trebuie verificată cu un detector adecvat de agent frigorific înainte și în timpul lucrului, pentru a vă asigura că tehnicianul are cunoștință de prezența unei eventuale atmosfere inflamabile. Asigurați-vă că echipamentul de detectare a scurgerilor este adecvat pentru utilizarea cu agenți frigorifici inflamabili, adică nu produce scântei, este etanșat corespunzător sau dispune de securitate intrinsecă.

E. Prezența extingtorului

În cazul în care trebuie să se efectueze lucrări la temperaturi înalte asupra echipamentului de refrigerare sau asupra oricărei componente a acestuia, trebuie să aveți la îndemână un extingtor adecvat. În zona de încărcare trebuie să fie disponibil un extingtor cu pulbere uscată sau CO₂.

F. Lipsa surselor de aprindere

Nicio persoană care efectuează lucrări în legătură cu un sistem de refrigerare care implică expunerea oricărei conducte care conține sau a conținut agent frigorific inflamabil nu va folosi surse de aprindere care pot implica pericol de incendiu sau de explozie. Toate sursele de aprindere, inclusiv țigările aprinse, trebuie să fie ținute suficient de departe de locul de instalare, reparare, îndepărtare și eliminare, când ar putea fi eliberat agent frigorific inflamabil în spațiul înconjurător. Înainte de efectuarea oricărei operații, trebuie să fie

verificată zona din jurul echipamentului pentru a vă asigura că nu există pericol de aprindere. Este necesară afișarea semnelor de tipul „Fumatul interzis”.

G. Zona ventilată

Asigurați-vă că zona este deschisă sau că este bine ventilată înainte de a desface sistemul sau de a efectua eventuale lucrări la temperaturi înalte. Este necesară asigurarea unui nivel de ventilație continuă pe toată durata de efectuare a lucrărilor. Ventilația ar trebui să disperseze în siguranță, de preferință în exterior, orice agent de răcire eliberat.

H. Verificarea echipamentului de refrigerare

În cazul în care sunt înlocuite componentele electrice, acestea trebuie să fie adecvate scopului urmărit și specificațiilor prevăzute. Trebuie să fie respectate în permanență instrucțiunile producătorului cu privire la întreținere și revizie. Dacă există nelămuriri, contactați departamentul tehnic al producătorului în vederea obținerii de asistență. Următoarele verificări trebuie efectuate asupra instalațiilor care utilizează agenți frigorifici inflamabili:

Cantitatea încărcată este în concordanță cu dimensiunea încăperii în care sunt instalate componentele care conțin agent frigorific.

Echipamentele de ventilație și orificiile de evacuare funcționează în mod corespunzător și nu sunt obstructionate.

Dacă se utilizează un circuit de răcire indirect, circuitul secundar trebuie să fie verificat pentru a se detecta prezența agentului frigorific; Marcajele de pe echipamente trebuie să fie vizibile și lizibile. Marcajele și semnele care sunt ilizibile trebuie corectate.

Tuburile sau componentele de refrigerare sunt instalate într-o poziție în care este puțin probabil ca acestea să fie expuse la orice substanță care poate coroda elementele ce conțin agent frigorific, cu excepția cazului în care acestea sunt realizate din materiale care sunt implicit rezistente la coroziune sau care sunt protejate corespunzător împotriva coroziunii.

I. Verificarea dispozitivelor electrice

Repararea și întreținerea componentelor electrice trebuie să includă verificări inițiale de siguranță și proceduri de inspectare a componentelor. Dacă există o defecțiune care ar putea compromite siguranța, atunci nu trebuie să fie conectată nicio sursă de alimentare la circuit înainte ca defecțiunea să fie remediată în mod corespunzător. În cazul în care defecțiunea nu poate fi remediată imediat, dar este necesar să se continue utilizarea, se va aplica o soluție temporară adecvată. Acest lucru trebuie raportat proprietarului echipamentului, astfel încât toate părțile să fie informate.

Verificările inițiale de siguranță includ:

Condensatoarele sunt descărcate: acest lucru se face în condiții de siguranță, pentru a se evita producerea scânteilor; nu există componente electrice neizolate și cabluri electrice expuse în timpul încărcării, recuperării sau purjării sistemului; există o continuitate a împământării.

J. Repararea componentelor etanșe

1) În timpul operațiilor de reparare a componentelor etanșe, toate sursele de energie electrică trebuie să fie deconectate de la echipamentele asupra cărora se lucrează, înainte de deconectarea alimentării cu energie electrică izolată a echipamentului în timpul lucrărilor de întreținere, după care trebuie să fie verificate scurgerile în cel mai critic punct pentru a detecta orice situație potențial periculoasă.

2) O atenție deosebită trebuie acordată următoarelor aspecte, pentru a menține condițiile de siguranță atunci când lucrați asupra componentelor electrice, carcasa nefiind modificată astfel încât să fie afectat nivelul de protecție. Acestea includ deteriorarea cablurilor, număr excesiv de conexiuni, borne care nu au respectat specificațiile inițiale, deteriorarea garniturilor, montarea incorectă a presetupelor etc. Asigurați-vă că aparatul este montat în siguranță. Asigurați-vă că garniturile sau materialele de etanșare nu s-au degradat astfel încât să nu mai deservească scopului de a împiedica pătrunderea atmosferelor inflamabile. Piese de schimb trebuie să respecte specificațiile producătorului.

Observație: Utilizarea materialului de etanșare pe bază de siliciu poate inhiba eficiența anumitor tipuri de echipamente de detectare a scurgerilor. Componentele cu securitate intrinsecă nu trebuie izolate înainte de a lucra asupra acestora.

K. Repararea componentelor cu securitate intrinsecă

Nu aplicați sarcini permanente inductive sau capacitive în circuit fără a vă asigura că nu vor fi depășite tensiunea și curentul permise pentru echipamentul utilizat. Componentele cu securitate intrinsecă sunt singurele tipuri asupra cărora se poate lucra în prezența unei atmosfere inflamabile. Aparatul de testare trebuie să fie calibrat corect. Utilizați numai piese de schimb specificate de către producător. Utilizarea altor piese poate duce la aprinderea agentului frigorific în atmosferă în urma unei scurgeri.

L. Cablare

Verificați cablurile pentru a vă asigura că nu sunt supuse la uzură, coroziune, presiune excesivă, vibrații, muchii ascuțite sau orice alte efecte negative. De asemenea, verificarea trebuie să țină cont de efectele îmbătrânirii sau ale vibrațiilor continue din surse cum ar fi compresoarele sau ventilatoarele.

M. Detectarea agenților frigorifici inflamabili

În niciun caz nu trebuie utilizate surse potențiale de aprindere în căutarea sau detectarea scurgerilor de agent frigorific. Este interzisă utilizarea unei lămpi cu halogeni (sau orice alt detector care utilizează o flacără deschisă).

N. Metode de detectare a scurgerilor

Următoarele metode de detectare a scurgerilor sunt considerate acceptabile pentru sistemele care conțin agenți frigorifici inflamabili: Pentru a detecta agenții frigorifici inflamabili, se utilizează detectoare electronice de scurgeri, dar sensibilitatea acestora poate să nu fie adecvată sau poate necesita recalibrare (echipamentul de detecție trebuie să fie calibrat într-o zonă fără agent frigorific). Asigurați-vă că detectorul nu este o sursă potențială de aprindere și că este adecvat pentru agentul frigorific utilizat. Dispozitivele de detectare a scurgerilor se fixează la un procent din limita inferioară de inflamabilitate a agentului frigorific și se calibrează pe baza agentului frigorific utilizat, confirmându-se procentul corespunzător de gaz (maximum 25%). Soluțiile de detectare a scurgerilor sunt adecvate pentru utilizarea cu majoritatea agenților frigorifici, dar utilizarea detergenților care conțin clor trebuie evitată, deoarece clorul poate reacționa cu agentul frigorific și poate coroda conductele de cupru. Dacă se suspectează o scurgere, toate flăcările deschise trebuie îndepărtate/stinse.

Dacă se depistează o scurgere de agent frigorific care necesită un proces de lipire, tot agentul frigorific trebuie recuperat din sistem sau izolat (prin intermediul unor supape de închidere) într-o parte a sistemului aflată la distanță de scurgere.

Sistemul se va purja sau curăța cu azot liber de oxigen (Oxygen Free Nitrogen - OFN), atât înainte, cât și în timpul procesului de lipire.

O. Eliminarea și evacuarea

Atunci când interveniți asupra circuitului de refrigerare pentru a efectua reparații sau în orice alt scop, trebuie aplicate procedurile convenționale. Cu toate acestea, este important să fie respectate cele mai bune practici, deoarece inflamabilitatea este un aspect care trebuie avut mereu în vedere. Se va respecta următoarea procedură: Scoateți agentul frigorific; Purjați circuitul cu gaz inert; Goliți sistemul; Purjați din nou cu gaz inert; Deschideți circuitul prin tăiere sau lipire. Agentul frigorific din instalație trebuie recuperat în buteliile de recuperare corecte. Sistemul trebuie „spălat” cu OFN (azot liber de oxigen) pentru ca unitatea să fie sigură.

Ar putea fi necesar ca procesul să fie repetat de mai multe ori. Pentru această operație nu poate fi utilizat aer comprimat sau oxigen. Spălarea se realizează prin alimentare până la umplere și atingerea presiunii de lucru, apoi prin evacuare în atmosferă și, la final, prin vidare. Acest proces se repetă până când nu mai rămâne agent frigorific în sistem. Când se utilizează încărcătura finală de azot liber de oxigen, sistemul trebuie să fie adus la presiunea atmosferică pentru a permite efectuarea lucrărilor. Această operație este absolut esențială dacă trebuie să efectuați operații de lipire pe conducte. Asigurați-vă că ieșirea pentru pompa de vid nu este aproape de surse de aprindere și că este disponibilă ventilație.

P. Proceduri de încărcare

Pe lângă procedurile convenționale de încărcare, trebuie respectate următoarele cerințe: Asigurați-vă că nu are loc contaminarea diferiților agenți frigorifici atunci când se utilizează echipamente de încărcare. Furtunurile sau tuburile trebuie să fie cât mai scurte posibil pentru a reduce la minimum cantitatea de agent frigorific conținut.

Buteliile trebuie menținute în poziție verticală.

Asigurați-vă că sistemul de răcire este conectat la împământare înainte de încărcarea sistemului cu agent frigorific. Etichetați sistemul când încărcarea este finalizată (dacă nu este deja etichetat).

Nu supraîncărcați sistemul de răcire. Înainte de reîncărcarea sistemului, acesta trebuie testat cu azot liber de oxigen. Sistemul trebuie să fie testat la finalizarea încărcării, dar înainte de punerea în funcțiune, pentru a detecta eventuale scurgeri. Efectuați un test de scurgere înainte de a părăsi locul instalării.

Q. Dezafectare

a) Înainte de a efectua această procedură, este esențial ca tehnicianul să fie complet familiarizat cu echipamentul și cu toate detaliile acestuia. O bună practică recomandată este ca toți agenții frigorifici să fie recuperați în condiții de siguranță. Înainte de efectuarea operației, se ia o probă de ulei și agent frigorific în cazul în care este necesară o analiză înainte de reutilizarea agentului frigorific. Este esențial ca energia electrică să fie disponibilă înainte de începerea operației.

Familiarizați-vă cu echipamentul și funcționarea acestuia. b) Întrerupeți alimentarea cu energie electrică a sistemului. c) Înainte de a începe procedura, asigurați-vă că: Sunt disponibile dispozitivele de manipulare mecanică, dacă este necesar, pentru manipularea buteliilor cu agent frigorific; Toate echipamentele

individuale de protecție sunt disponibile și utilizate corect; Procesul de recuperare este supravegheat permanent de o persoană competentă; Echipamentele de recuperare și buteliile sunt conforme cu standardele aplicabile. d) Dacă este posibil, goliți sistemul de răcire. e) Dacă vidarea nu este posibilă, realizați un colector astfel încât agentul frigorific să poată fi golit din diferite părți ale sistemului. f) Asigurați-vă că butelia este așezată pe cântar înainte de recuperare. g) Porniți sistemul de recuperare și acționați în conformitate cu instrucțiunile producătorului. h) Nu umpleți buteliile excesiv. i) Nu depășiți presiunea maximă de lucru a buteliei, nici măcar temporar. j) Când buteliile au fost umplute corect și procesul a fost finalizat, asigurați-vă că acestea și echipamentul sunt îndepărtate imediat de la locul de utilizare și că toate supapele de izolare de pe echipament sunt închise. k) Agentul frigorific recuperat nu trebuie încărcat în alt sistem de răcire decât dacă a fost curățat și verificat.

R. Etichetare

Echipamentul trebuie să fie etichetat cu mențiunea că a fost scos dezafectat și golit de agent frigorific. Eticheta trebuie să fie datată și semnată. Asigurați-vă că pe echipament există etichete care specifică faptul că echipamentul conține agent frigorific inflamabil.

S. Recuperarea agentului frigorific

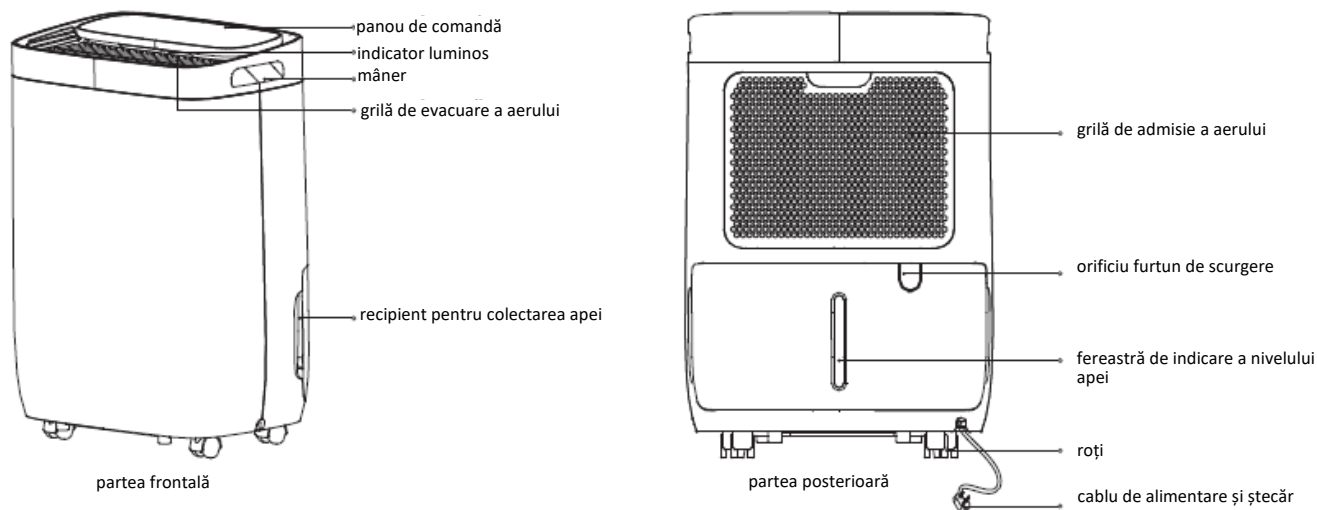
Când scoateți agentul frigorific dintr-un sistem, fie pentru revizie, fie pentru dezafectare, se recomandă ca toți agenții frigorifici să fie scoși în siguranță. Când transferați agentul frigorific în butelii, asigurați-vă că sunt folosite numai butelii de recuperare a agentului frigorific adecvate. Asigurați-vă că este disponibil numărul corespunzător de butelii pentru întreaga capacitate a sistemului. Toate buteliile care urmează să fie utilizate pentru agentul frigorific recuperat sunt special concepute și etichetate pentru agentul frigorific respectiv (și anume butelii speciale pentru recuperarea agentului frigorific). Buteliile trebuie să fie complet echipate cu supapă de suprapresiune și supape de închidere aferente în stare bună de funcționare. Buteliile de recuperare goale sunt golite și, dacă este posibil, răcite înainte de recuperare. Echipamentele de recuperare trebuie să fie în stare bună de funcționare, prevăzute cu o serie de instrucțiuni privind echipamentele disponibile și adecvate pentru recuperarea agenților frigorifici inflamabili.

De asemenea, trebuie să fie disponibil un set de cântare calibrate, în stare bună de funcționare. Furtunurile trebuie să fie complete, cu racordurile fără scurgeri și în stare bună. Înainte de a utiliza dispozitivul de recuperare, verificați dacă acesta se află într-o stare de funcționare satisfăcătoare, dacă a fost întreținut corespunzător și dacă toate componentele electrice aferente sunt etanșeizate pentru a preveni aprinderea în cazul eliberării de agent frigorific.

Dacă aveți îndoieli, consultați producătorul. Agentul frigorific recuperat va fi returnat furnizorului de agent frigorific în butelia de recuperare corectă, însoțit de nota de transfer al deșeurilor. Nu amestecați agenții frigorifici în unitățile de recuperare și în special în butelii. Dacă trebuie îndepărtate compresoarele sau uleiurile din compresoare, asigurați-vă că acestea au fost golite la un nivel acceptabil, pentru a vă asigura că agentul frigorific inflamabil nu rămâne în lubrifiant. Procesul de evacuare trebuie efectuat înainte de returnarea compresorului la furnizori. Pentru accelerarea acestui proces, se va folosi exclusiv încălzirea electrică a carcasei compresorului. Atunci când uleiul este scos dintr-un sistem, golirea trebuie efectuată în siguranță.

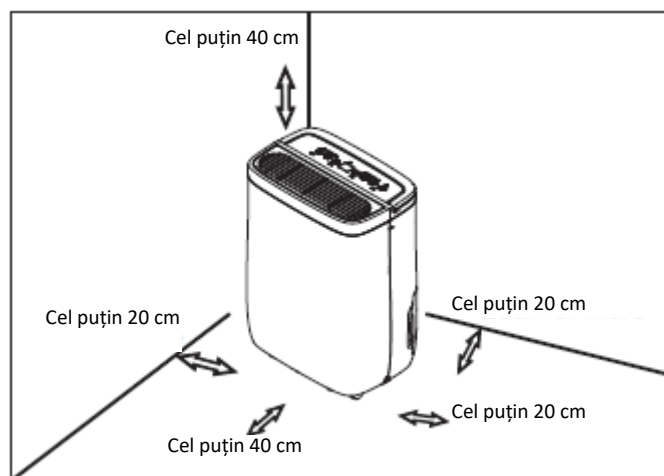
3. PREGĂTIRE

Identificarea componentelor



Pentru a asigura performanța optimă a produselor noastre, specificațiile privind proiectarea aparatului pot fi modificate fără notificare prealabilă.

Poziționarea aparatului



Roți (în patru puncte din partea inferioară a aparatului)

- Roțile se pot mișca liber.
- Nu forțați roțile pentru a deplasa aparatul pe mochetă și nu deplasați aparatul atunci când recipientul acestuia conține apă (aparatul se poate răsturna, vărsând apa).

Dezumidificatorul pus în funcțiune într-un subsol va fi puțin sau deloc eficient în vederea uscării unei zone de depozitare, cum ar fi un dulap, dacă nu este permisă o circulație adecvată a aerului către și dinspre acea zonă.

- Nu utilizați aparatul în aer liber.
- Acest dezumidificator este destinat exclusiv utilizării în interior, în scopuri casnice. Acest dezumidificator nu trebuie utilizat în scopuri comerciale sau industriale.
- Așezați dezumidificatorul pe o suprafață orizontală și netedă a podelei, suficient de solidă pentru a susține aparatul chiar și atunci când recipientul de colectare a apei este plin.

- Lăsați un spațiu de cel puțin 20 de cm în ambele părți laterale ale aparatului, pentru a asigura o circulație corespunzătoare a aerului (lăsați un spațiu de cel puțin 40 cm în dreptul orificiului de evacuare a aerului).
- Amplasați aparatul într-o zonă în care temperatura să nu scadă sub 5 °C (41 °F). La temperaturi sub 5 °C (41 °F), serpentinele se pot acoperi cu gheață, aceasta putând reduce performanțele aparatului.
- Nu amplasați aparatul în apropierea uscătoarelor de haine, încălzitoarelor sau radiatoarelor.
- Aparatul poate fi folosit pentru a preveni daunele provocate de umezeală în încăperi unde sunt depozitate cărți sau obiecte de valoare.
- Aparatul poate fi folosit într-un subsol, pentru a ajuta la prevenirea daunelor provocate de umezeală.
- Pentru eficiență maximă, dezumidificatorul trebuie utilizat în spații închise.
- Închideți toate ușile, ferestrele și deschiderile către exteriorul camerei.

Utilizarea aparatului

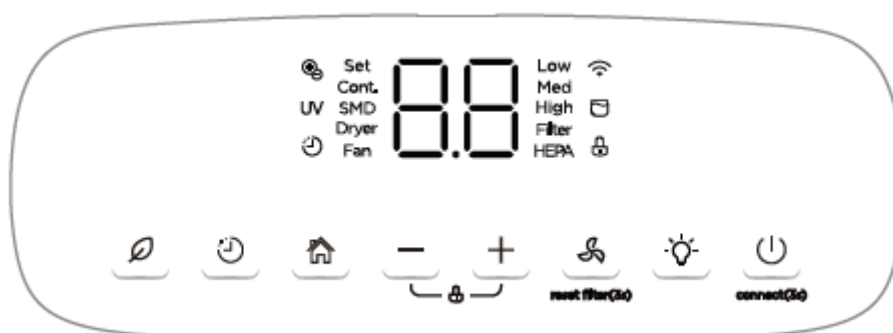
- Înainte de prima utilizare a dezumidificatorului în modul „Dezumidificare continuă”, asigurați-vă că racordul dintre furtun și orificiul de evacuare este efectuat corespunzător și nu permite scurgerea apei.
- Acest aparat este conceput pentru funcționare într-un mediu cu temperaturi cuprinse între 5 °C/41 °F și 32 °C/90 °F și în intervalul cuprins între 30% UR (umiditate relativă) și 80% UR (umiditate relativă).
- Dacă aparatul a fost oprit și este necesară repornirea rapidă a acestuia, lăsați să treacă aproximativ trei minute pentru ca funcționarea să poată fi reluată corect.
- Nu alimentați dezumidificatorul de la o priză multiplă, la care sunt conectate și alte aparate electrice.
- Alegeți un loc adecvat și asigurați-vă că priza electrică este ușor accesibilă.
- Alimentați aparatul de la o priză electrică prevăzută cu împământare.
- Asigurați-vă că recipientul pentru colectarea apei este fixat corect. În caz contrar, aparatul nu va funcționa corespunzător.













Observație: Atunci când apa din recipientul pentru colectarea apei atinge un anumit nivel, aveți grijă să evitați vărsarea acesteia.

4. INSTRUCȚIUNI DE UTILIZARE

Caracteristicile panoului de comandă

Observație: Imaginea cu panoul de comandă de mai jos are numai scop informativ. În funcție de modelul achiziționat, panoul de comandă poate fi ușor diferit. Este posibil ca aparatul dumneavoastră să nu fie prevăzut cu unele indicatoare sau butoane. Forma reală este de referință.



Indicator	Funcție	Indicator	Funcție	Indicator	Funcție
	Buton/indicator luminos temporizator		Buton pentru viteza ventilatorului		Buton indicator luminos nivel umiditate
	Buton selectare moduri		Buton funcție „FRESH”		Indicator umplere recipient apă
	Buton de alimentare		Butoanele „Sus” și „Jos”		Lumină UV (indisponibilă pentru acest model)
	Indicator luminos blocare		Indicator funcție wireless		Indicator funcție „FRESH”

Buton de alimentare

Apăsați acest buton pentru pornirea sau oprirea dezumidicatorului.

Buton selectare moduri

- Apăsați pe acest buton pentru a selecta modul de funcționare dorit: modul pentru setarea nivelului de dezumidificare, modul pentru uscare, modul pentru dezumidificare inteligentă, modul pentru dezumidificare continuă și modul pentru funcționarea ca ventilator (în cazul anumitor modele).
- În modul pentru setarea nivelului de dezumidificare, indicatorul luminos „Set” se aprinde.

Observație: În modul pentru dezumidificare continuă, modul pentru uscare și modul pentru dezumidificare inteligentă, nivelul de dezumidificare nu poate fi reglat.

În modul pentru funcționarea ca ventilator, funcția de dezumidificare este inactivă.

Instalați filtrul HEPA (filtru de înaltă eficiență pentru particulele din aer); aparatul nu poate regla modul de funcționare, iar indicatorul HEPA se aprinde.

Butonul pentru funcția de temporizare

- Apăsați acest buton împreună cu butoanele „+” și „-” pentru a activa funcția de pornire automată sau funcția de oprire automată. Atunci când aparatul este pornit, apăsați pe acest buton pentru activarea funcției de oprire automată. Atunci când aparatul este oprit, apăsați pe acest buton pentru activarea funcției de pornire automată.
- Apăsați scurt sau lung butonul „+” sau butonul „-” pentru a modifica intervalul de timp până la pornirea automată, în trepte de câte 0,5 ore (până la durata de 10 ore), apoi în trepte de câte 1 oră (până la durata de 24 ore).
- Aparatul va începe numărătoarea inversă până la pornire.
- Durata selectată va fi înregistrată în 5 secunde, după care sistemul va reveni la afișarea setării de umiditate anterioare.
- Dacă opriți sau porniți aparatul în acest interval sau dacă modificați setarea temporizatorului la 0.0, funcția de pornire/oprire automată va fi dezactivată.
- De asemenea, funcția de pornire/oprire automată va fi dezactivată atunci când în fereastra de afișare apare codul P2.

Butoanele „Sus” (+) și „Jos” (-)

- Pentru setarea nivelului de umiditate
Nivelul de umiditate poate fi setat la valori cuprinse între 35% UR (umiditate relativă) și 85% UR (umiditate relativă), în trepte de câte 5%. Pentru aer mai uscat, apăsați butonul „-” și setați la o valoare procentuală (%) mai redusă. Pentru aer mai umed, apăsați butonul „+” și setați la o valoare procentuală (%) mai ridicată.
- Pentru setarea temporizatorului
Utilizați butoanele „+” și „-” pentru setarea intervalului până la pornirea automată sau a celui până la oprirea automată, de la 0 la 24 de ore.

Butonul pentru ventilator

- Cu ajutorul acestui buton, puteți controla viteza ventilatorului. Apăsați pe acest buton pentru a selecta turația ventilatorului: redusă, medie sau ridicată. Indicatoarele luminoase se aprind în funcție de turația ventilatorului.
- Apăsați și mențineți apăsat timp de 3 secunde butonul pentru ventilator în vederea eliminării mementoului pentru filtru atunci când indicatorul luminos aferent acestuia clipește (în cazul anumitor modele).

Observație: După 250 de ore de funcționare, funcția de memento pentru curățarea filtrului se activează.

Butonul pentru funcția wireless

- Apăsați și mențineți apăsat butonul de alimentare timp de 3 secunde pentru a activa modulul de conectare wireless. Ecranul LED afișează „AP” pentru a indica faptul că puteți seta conexiunea wireless.
- În cazul în care conexiunea este stabilă în termen de 8 minute, dispozitivul va dezactiva automat modul pentru conectare wireless, indicatorul aferent funcției wireless se va aprinde, iar aparatul activează funcția anterioară. În cazul în care conexiunea nu este stabilă în termen de 8 minute, dispozitivul va dezactiva automat modul pentru conectare wireless.

Observație: Când aparatul se conectează la Internet, indicatorul luminos clipește alb.


Butonul pentru funcția „FRESH”

Apăsați pe butonul „FRESH” pentru a activa funcția „FRESH”, iar indicatorul luminos aferent funcției se aprinde. Indicatorul luminos „FRESH” și indicatorul luminos UV se aprind în același timp în cazul anumitor modele. În cazul altor modele, se aprinde doar indicatorul luminos UV. Ionizatorul și funcția UV ajută la purificarea aerului din cameră. Apăsați din nou pe butonul „FRESH” pentru a dezactiva funcția „FRESH”, iar indicatorul luminos aferent funcției se stinge.

Funcția de blocare

- Apăsați și mențineți apăsat butoanele Sus (+) și Jos (-) timp de 3 secunde pentru a activa funcția de blocare. Indicatorul luminos aferent funcției de blocare se aprinde. Toate setările curente sunt blocate, iar panoul de comandă va putea fi utilizat numai pentru dezactivarea funcției de blocare.
- Apăsați și mențineți apăsat din nou aceste două butoane, pentru dezactivarea funcției de blocare.

Butonul indicatorului luminos pentru nivelul de umiditate

- Apăsați pe butonul  pentru a aprinde sau stinge indicatorul.
- Când nivelul umidității depășește 65%, indicatorul luminos se aprinde roșu.
- Când nivelul umidității este cuprins între 45% și 65%, indicatorul luminos se aprinde verde.
- Când nivelul umidității este sub 45%, indicatorul luminos se aprinde galben.

Observație: Când indicatorul luminos de umplere a recipientului de colectare a apei sau indicatorul pentru curățarea filtrului este pornit, indicatorul luminos pentru nivelul de umiditate se aprinde portocaliu și se stinge timp de 1 secundă la fiecare 4 secunde.

Afișajul

Afișajul indică nivelul setat (%) al umidității, cuprins între 35% și 85%, timpul până la pornirea/oprirea automată (0~24) și nivelul efectiv al umidității din cameră (cu o precizie de ± 5%), în intervalul cuprins între 30% UR (umiditate relativă) și 90% UR (umiditate relativă).

Coduri de eroare

EH60 - Eroare a senzorului de umiditate. Deconectați aparatul de la sursa de alimentare, apoi reconectați-l. Dacă eroarea persistă, contactați centrul de service.

EH61 - Eroare a senzorului de temperatură al evaporatorului. Deconectați aparatul de la sursa de alimentare, apoi reconectați-l. Dacă eroarea persistă, contactați centrul de service.

EH02 - Eroare detectare temperatură scăzută. Dacă eroarea persistă, contactați centrul de service.

EH03 - Eroare viteză ventilator. Dacă eroarea persistă, contactați centrul de service.

EH0b - Eroare de comunicație între PCB intern și placa de afișare. Dacă eroarea persistă, contactați centrul de service.

Cod de protecție:

P2 - Recipientul de colectare a apei este plin sau nu este așezat în poziția corectă. Goliți recipientul și re poziționați-l corect. În cazul anumitor modele, se aprinde indicatorul de umplere a recipientului colector.

Observație: În cazul apariției uneia dintre defecțiunile de mai sus, asigurați-vă că funcționarea nu este împiedicată din anumite cauze și îndepărtați cauzele.

Reporniți aparatul. Dacă defecțiunea persistă, opriți aparatul și deconectați ștecărul de la sursa de alimentare.

Solicitați asistență tehnică.

Alte caracteristici

Indicator de umplere a recipientului de colectare a apei

Acest indicator se aprinde atunci când recipientul de colectare a apei este plin, când este scos sau când nu este așezat în poziția corectă.

Dezghețare automată

În cazul în care se acumulează gheață pe serpentina evaporatorului, compresorul se va opri automat, iar ventilatorul va continua să funcționeze până când gheața este eliminată.

Oprire automată

- Dezumidificatorul se oprește atunci când recipientul de colectare a apei este plin, când este scos sau când nu este așezat în poziția corectă.
- În cazul anumitor modele, motorul ventilatorului va continua să funcționeze timp de 30 de secunde.

Indicator funcție „FRESH”

În cazul anumitor modele, ionizatorul pornește și ajută la purificarea aerului din cameră.

Protecția prin pornire întârziată cu 3 minute

Dacă aparatul se oprește, acesta nu poate fi repus în funcțiune decât după 3 minute. Aceasta este o funcție de protecție. Funcționarea va reîncepe automat după 3 minute.

Repornire automată

Dacă aparatul se oprește brusc din cauza unei întreruperi a alimentării energie electrică, acesta va reporni automat funcția setată anterior, odată cu restabilirea alimentării cu energie.

Funcție de dezumidificare continuă

În cazul activării funcției de dezumidificare continuă, dezumidificatorul funcționează continuu, fără a fi posibilă selectarea nivelului de umiditate. Apăsați pe butonul de selectare a modului de funcționare pentru dezactivarea funcției de dezumidificare continuă.

Modul pentru dezumidificare inteligentă

În modul pentru dezumidificare inteligentă, aparatul controlează automat umiditatea din cameră într-un interval confortabil cuprins între 45%~55%, în funcție de temperatura din cameră. Funcția de setare a umidității nu va fi activă.

Modul pentru setarea nivelului de dezumidificare

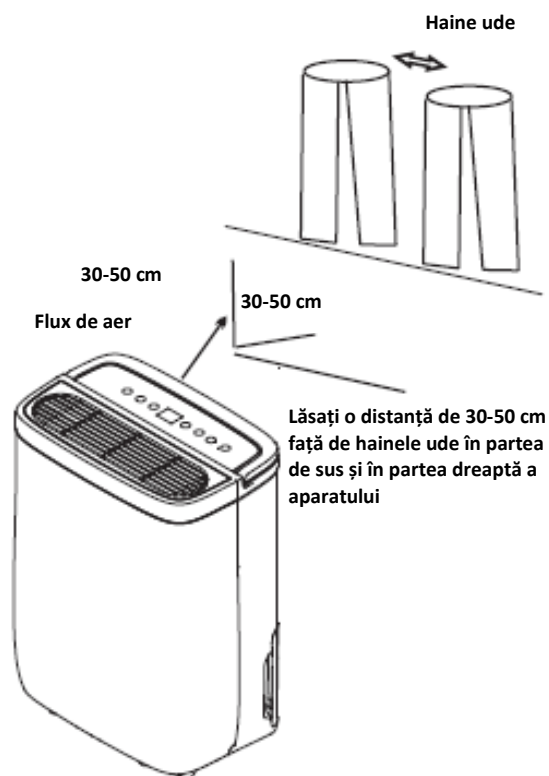
În cadrul modului pentru setarea nivelului de dezumidificare, aparatul poate fi reglat în cadrul unui interval cuprins între 35% și 85%, valoarea umidității putând fi reglată (crescută sau redusă) în trepte de 5%. Apăsați pe butonul de selectare a modului de funcționare pentru dezactivarea modului pentru setarea nivelului de dezumidificare.

Modul pentru uscare

Aparatul va avea randament maxim atunci când este setat în modul pentru uscare. Viteza ventilatorului nu poate fi reglată.

Observație:

1. Modul pentru uscare (în funcție de model) trebuie să fie utilizat în încăperi închise; nu deschideți ușa sau fereastra.
2. Pentru a obține o dezumidificare cât mai eficientă, stoarceți mai întâi hainele ude.
3. Asigurați-vă că fluxul de aer este orientat către hainele ude.
4. Dezumidificarea nu are eficiența maximă în cazul hainelor ude groase și grele.



Indicatorul pentru filtru/HEPA

Funcția de verificare a filtrului reprezintă un memento referitor la înlocuirea filtrului de aer pentru o funcționare mai eficientă. Indicatorul luminos pentru filtru (indicatorul HEPA) va clipi după 250 de ore de funcționare a aparatului. Pentru reinițializare după curățarea filtrului, apăsați și mențineți apăsat butonul „Ventilator” timp de 3 secunde, iar indicatorul luminos se va stinge.

Filtrul HEPA

- Instalați filtrul HEPA (filtru de înaltă eficiență pentru particulele din aer); aparatul va funcționa numai în modul „Ventilator”, iar indicatorul HEPA se va aprinde.
- Asigurați-vă că ați montat filtrul HEPA așa cum este indicat în ilustrațiile de mai jos.

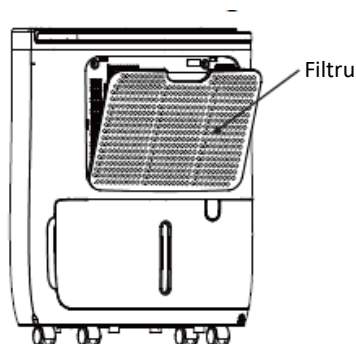


Fig. 1. Detașați filtrul

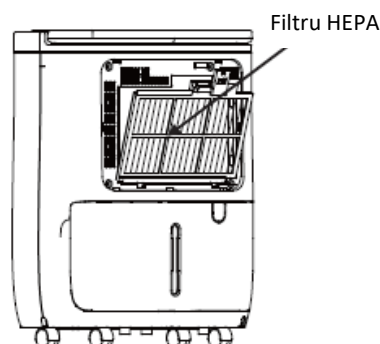


Fig. 2. Introduceți partea inferioară a filtrului HEPA în aparat

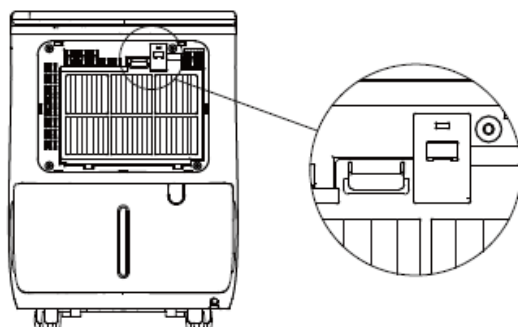


Fig. 3. Fixați partea superioară așa cum este indicat în ilustrație

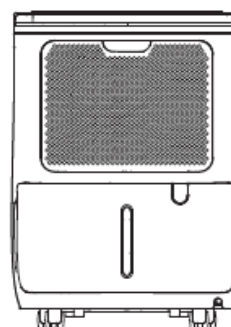


Fig. 4. Montați filtrul

Îndepărtarea apei colectate

Există două modalități de îndepărtare a apei colectate.

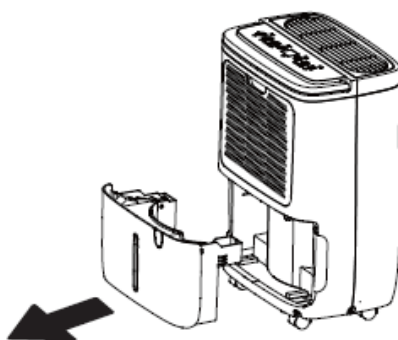
A. Folosiți recipientul

- Când recipientul de colectare a apei este plin, aparatul se oprește automat, iar indicatorul luminos de umplere a recipientului se aprinde intermitent.
- Trageți ușor recipientul. Apucați bine de mânerile laterale, apoi trageți cu atenție, menținând recipientul drept, pentru a evita vărsarea apei. Nu puneți recipientul pe podea, deoarece fundul acestuia nu este uniform. În caz contrar, recipientul se va răsturna, iar apa de se va vărsa.
- Vărsați apa prin orificiul de evacuare a apei și puneți recipientul la loc. Recipientul trebuie poziționat corect pentru ca aparatul să poată funcționa. Aparatul va reporni când recipientul este reșezat în poziția corectă.

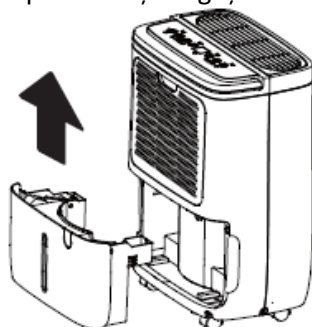
Observație:

- Atunci când scoateți recipientul, nu atingeți componentele din interiorul aparatului. Nerespectarea acestei indicații poate duce la deteriorarea aparatului.
- Asigurați-vă că împingeți recipientul în aparat complet. Dacă recipientul se oprește într-un obstacol sau nu este bine fixat, este posibil ca aparatul să nu funcționeze.
- În cazul în care constatați prezența apei în aparat după scoaterea recipientului, ștergeți aparatul.

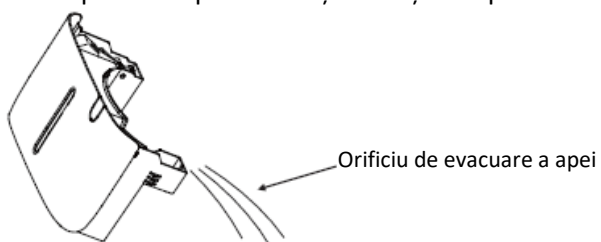
1. Trageți ușor de recipient.



2. Țineți de ambele mâneri laterale ale recipientului și trageți-l afară din aparat.



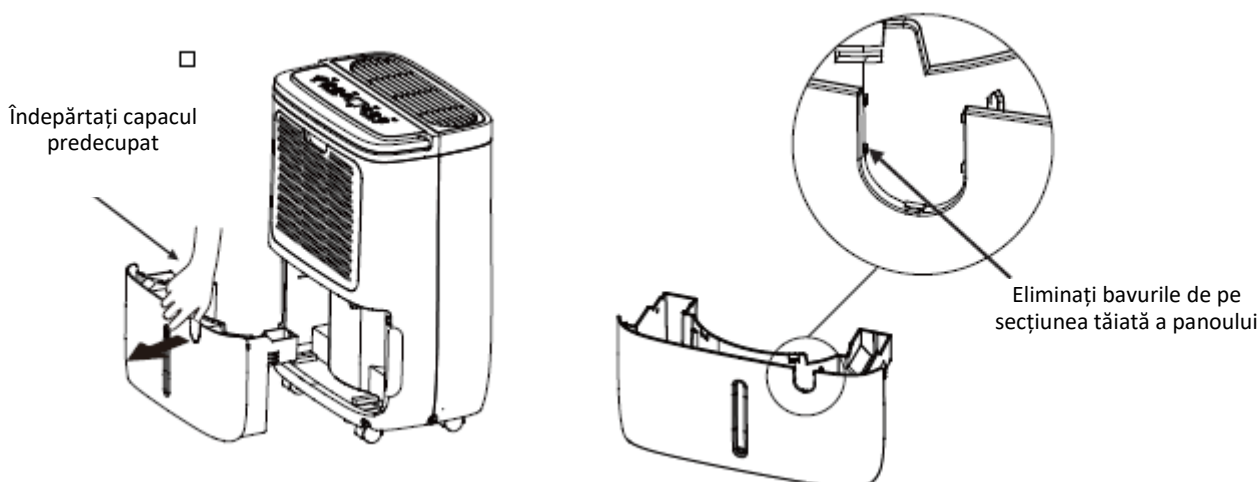
3. Vărsați apa din recipient (recipientul aparatului pe care l-ați achiziționat poate fi ușor diferit).



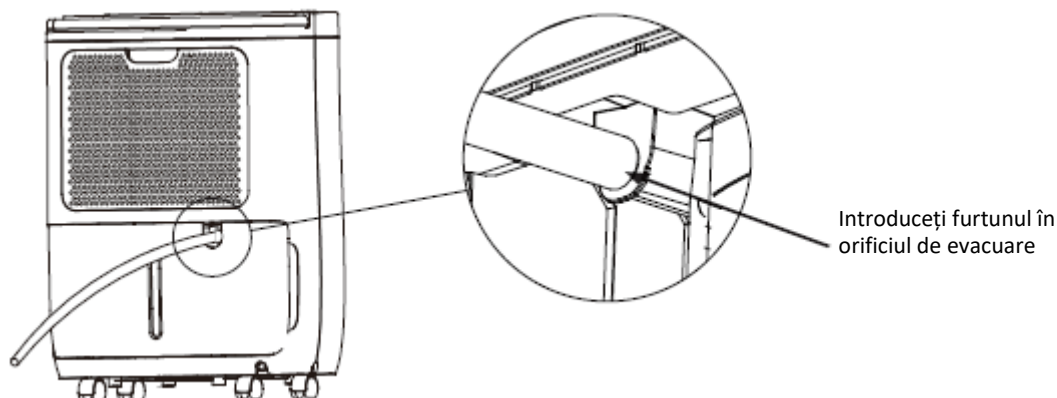
B. Scurgere continuă

Apa poate fi eliminată automat într-o scurgere de podea, prin montarea unui furtun ϕ 16,5x 13,5 mm (nu este inclus).

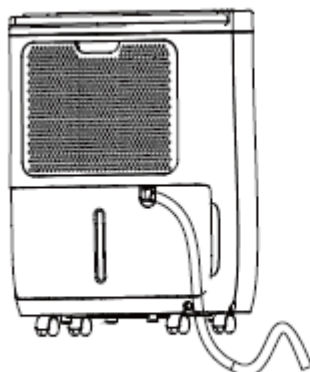
- Îndepărtați capacul din plastic predecupat din partea superioară a recipientului.



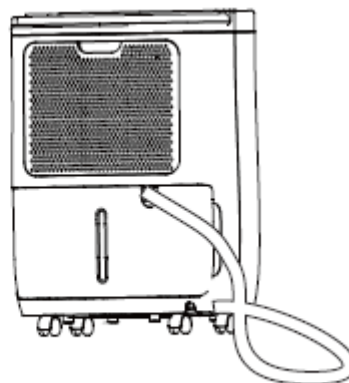
- Racordați furtunul la orificiul de evacuare a apei situat în partea din spate a aparatului.
- Asigurați-vă că racordul dintre furtun și orificiul de evacuare este efectuat corespunzător și nu permite scurgerea apei.



- Apoi conduceți furtunul către scurgerea de podea sau către o instalație de scurgere corespunzătoare. Instalația de scurgere trebuie să fie situată mai jos decât orificiul de evacuare al aparatului. Asigurați-vă că furtunul are o înclinație corespunzătoare, care să permită scurgerea fără dificultate a apei. Nu îndoiiți furtunul de evacuare.



Nu împiedicați scurgerea apei prin ridicarea furtunului.



Nu împiedicați scurgerea apei prin îndoirea furtunului.

- Asigurați-vă că furtunul este sub nivelul orificiului de scurgere.

Observație:

- Atunci când funcția de scurgere continuă nu este utilizată, scoateți furtunul de scurgere din orificiul de evacuare a apei.
- Utilizați un clește cu cioc în cazul în care capacul din plastic nu poate fi înlăturat cu mâna.
- Bavurile vă pot răni mâinile în timpul conectării furtunului de scurgere. Cu ajutorul unui alezor sau al unei unelte de debavurat, eliminați bavurile de pe secțiunea tăiată panoului.

5. CURĂȚARE ȘI ÎNTREȚINERE

Oprii dezumidificatorul și scoateți ștecărul din priză înainte de efectuarea operațiilor de curățare.

Curățarea grilei și a carcasei

- Folosiți apă și detergent slab. Nu utilizați înălbitor sau substanțe abrazive.
- Nu stropiți cu apă aparatul. Nerespectarea acestei indicații poate duce la electrocutare, deteriorarea izolației sau ruginirea aparatului.

- Grilele de admisie și evacuare a aerului se murdăresc ușor, fiind necesară utilizarea unei perii sau a unui aspirator pentru curățarea acestora.

Curățarea recipientului

Curățați recipientul o dată la câteva săptămâni pentru a preveni formarea mușgaiului și acumularea bacteriilor. Umpleți parțial recipientul cu apă curată și adăugați puțin detergent slab. Curățați recipientul, goliți-l, apoi clătiți-l.

Observație: Nu utilizați o mașină de spălat vase pentru a curăța recipientul. După curățare, recipientul trebuie poziționat corect pentru ca dezumidificatorul să poată funcționa.

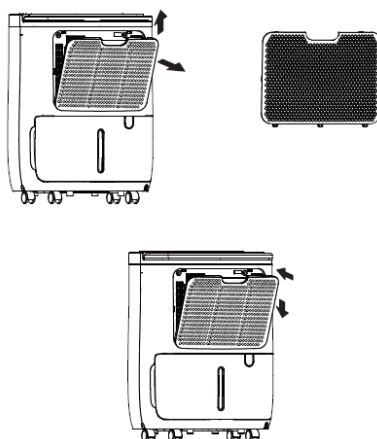
Curățarea filtrului de aer

Filtrul de aer din spatele grilei frontale trebuie verificat și curățat cel puțin o dată la două săptămâni (sau mai des, dacă este necesar).

Observație: Nu clătiți și nu spălați filtrul în mașina de spălat vase.

Pentru scoaterea filtrului:

- Apucați de urechea filtrului și trageți către exterior, apoi în sus.
- Curățați filtrul cu apă caldă și săpun. Clătiți filtrul și lăsați-l să se usuce înainte de a-l monta la loc. Nu spălați filtrul în mașina de spălat vase.



Remontarea filtrului:

- Introduceți filtrul de aer în aparat de jos în sus.



Atenție!

Nu utilizați dezumidificatorul fără filtru, întrucât murdăria și scamele îl vor înfunda și îi vor reduce performanțele.

Observație: Carcasa aparatului și partea frontală a acestuia pot fi curățate cu o cârpă umezită în apa sau într-o soluție formată din apă caldă și detergent de vase. Clătiți bine și ștergeți cu o cârpă uscată. Nu utilizați produse de curățare puternice, ceară sau soluții de lustruit pe partea frontală a aparatului. Stoarceți bine cârpa înainte de a șterge în zona butoanelor de comandă. Excesul de apă în zona butoanelor de comandă poate duce la deteriorarea aparatului.

În cazul neutilizării aparatului o perioadă îndelungată

- După oprirea aparatului, așteptați o zi înainte de a goli recipientului de colectare a apei.
- Curățați unitatea principală, recipientul pentru colectarea apei și filtrul de aer.
- Acoperiți aparatul cu folie din plastic.
- Depozitați aparatul în poziție verticală, într-un loc uscat și bine aerisit.

6. REMEDIEREA PROBLEMELOR

Înainte de a contacta centrul de service, parcurgeți informațiile din tabelul de mai jos.

Problemă	Cauze și soluții
Aparatul nu pornește	<ul style="list-style-type: none">• Asigurați-vă că ștecărul dezumidicatorului este bine conectat la priza de curent.• Verificați siguranța/panoul de siguranțe din locuință.• Dezumidicatorul a ajuns la un nivel prestabilit sau recipientul este plin.• Recipientul pentru colectarea apei nu este poziționat corespunzător.
Dezumidicatorul nu îndepărtează umezeala din aer în mod corespunzător	<ul style="list-style-type: none">• Lăsați aparatul să funcționeze un timp mai îndelungat, pentru a putea îndepărta umezeala.• Asigurați-vă că nu există perdele, draperii sau mobilă care blochează partea frontală sau posterioară a dezumidicatorului.• Este posibil ca nivelul setat pentru controlul umidității să nu fie suficient de scăzut.• Asigurați-vă că toate ușile, ferestrele și alte deschideri sunt bine închise.• Temperatura camerei este prea scăzută, sub 5 °C (41 °F).• Un încălzitor sau o altă sursă emite vapori de apă în cameră.
Aparatul produce un zgomot puternic atunci când este în funcțiune	<ul style="list-style-type: none">• Filtrul de aer este înfundat.• Aparatul este înclinat, în loc să fie drept.• Suprafața podelei nu este uniformă.
Se formează gheață pe serpentină	<ul style="list-style-type: none">• Acest lucru este normal. Dezumidicatorul este prevăzut cu o funcție pentru dezghețare automată.
Curge apă pe podea	<ul style="list-style-type: none">• Furtunul sau racordul acestuia este slăbit.
Mesajele EH60, EH61, EH02, EH03, EH0b, P2 apar pe afișaj	<p>Acestea sunt coduri de eroare și coduri de protecție. Consultați secțiunea „CARACTERISTICILE PANOULUI DE COMANDĂ”.</p>

MĂSURI PENTRU PROTECȚIA MEDIULUI

Va informam ca persoanele fizice au urmatoarele obligatii prin legislatia specifica privind protectia mediului si regimul deseurilor: deseurile de echipamente electrice si electronice (DEEE), pot contine substante periculoase pentru mediu si sanatatea umana. Conform OUG 5/2015, exista obligativitatea predarii acestora, pentru tratarea corespunzatoare si valorificarea componentelor reciclabile.

Societatea Network One Distribution S.R.L. este platitoare de taxa de "timbru verde" pentru fiecare Echipament Electric si Electronic (EEE) pe care il pune pe piata. Acest cost asigura tratarea ulterioara a echipamentelor uzate colectate. Din acest motiv, odata ce devine deseu, produsul EEE poate fi predat gratuit operatorului Dvs. de salubritate, la magazine atunci cand achizitionati alt echipament similar, sistemul "unul la unu" sau la punctul de colectare organizat de Primaria Sectorului / localitatii Dvs.



Simbolul (marcajul) aplicat produselor, care indica faptul ca deseurile DEEE, bateriile si acumulatorii fac obiectul unei colectari separate, il reprezinta o pubela barata cu o cruce.

Aceste masuri vor ajuta la protejarea mediului.

Societatea Network One Distribution S.R.L. este inregistrata in Registrul de punere pe piata a echipamentelor electrice si electronice, avand numarul de inregistrare: RO-2016-03-EEE-0201-IV. De asemenea, au fost intocmite si sunt gestionate: Registrul de Retragere EEE si Registrul de Rechemare EEE, in conformitate cu HG 322/2013. Totodata societatea este inregistrata in Registrul de punere pe piata a bateriilor, avand numarul de inregistrare: RO-2011-03-B&A-0283.

Conformitatea cu directiva RoHS: Produsul pe care l-ați cumpărat este conform cu Directiva RoHS UE (2011/65/UE). Nu conține materialele dăunătoare și interzise specificate în Directivă.

Va multumim ca participati alaturi de noi la protejarea mediului si a sanatatii umane!



F R A M este marcă înregistrată a companiei Network One Distribution SRL. Celelalte branduri și denumirile produselor sunt mărci de comerț sau mărci de comerț înregistrate ale respectivilor deținători.

Nicio parte a specificațiilor nu poate fi reprodusă sub nicio formă și prin niciun mijloc, nici utilizată pentru obținerea unor derivate precum traduceri, transformări sau adaptări, fără consimțământul prealabil al companiei NETWORK ONE DISTRIBUTION.

Copyright © 2020 Network One Distribution. Toate drepturile rezervate.

www.framelectrocasnice.ro; www.framappliances.com; www.nod.ro



Acest produs este proiectat și realizat în conformitate cu standardele și normele Comunității Europene.



Importator: Network One Distribution

Str. Marcel Iancu, nr. 3-5, București, România

Tel: +40 21 211 18 56, www.framelectrocasnice.ro, www.nod.ro

fram



Обезвлажнител

FDU-M12

Капацитет за обезвлажняване: 12 литра

Цвят: бял



Благодарим Ви за избора на този продукт Fram!

1. УПОТРЕБА

Моля прочетете внимателно инструкциите и запазете наръчника за бъдещи справки.

Този наръчник има за цел да Ви предостави всички необходими инструкции по отношение на инсталирането, използването и поддържането на уреда. Преди инсталиране и използване на уреда, с цел правилна и безопасна употреба на уреда, моля прочетете внимателно този наръчник с инструкции.

2. ПРЕДПАЗНИ МЕРКИ

Трябва да се спазват следните инструкции, за да се предотвратят смърт или нараняване на потребителя или на други лица, както и щети на имуществото. Неправилната употреба поради пренебрегване на инструкциите може да доведе до смърт, нараняване или повреда.



Предупреждение: Този символ показва опасност от телесно увреждане или смърт.



Внимание: Този символ показва риск от възникване на материални щети или сериозни последици.



Предупреждение

- Не надвишавайте капацитета на електрическия контакт или на кабела за свързване към източника за захранване с електроенергия.
- Не включвайте и не изключвайте уреда чрез включване или изключване на източника за захранване с електроенергия.
- Не повреждайте захранващия кабел и не използвайте непрепоръчан захранващ кабел.
- Не променяйте дължината на захранващия кабел и не захранвайте други уреди от същия електрически контакт.
- Не включвайте/изваждайте щепсела от контакта с мокри ръце.
- Не използвайте уреда в помещенията където има източници/се използват запалими газове.
- Не поставяйте уреда в близост до топлинни източници.
- Изключете уреда от източника за захранване с електроенергия, ако се образува миризма или дим, или ако издава необикновен шум.
- Не се опитвайте да демонтирате или да ремонтирате уреда самостоятелно.
- Преди почистване изключете захранването с електроенергия и извадете щепсела от контакта.
- Не използвайте уреда в близост до газ или горива, като газолин, бензол, разтворители и др.
- Не консумирайте и не използвайте водата от уреда.
- Не отстранявайте съда за събиране на водата по време на функциониране на уреда.
- Не използвайте уреда в малки пространства.
- Не поставяйте уреда на места, където може да бъде напръскан с вода.
- Поставете уреда на равно и устойчиво място върху пода.
- Не покривайте с кърпи или хавлии отворите за влизане или извеждане на въздуха.
- Внимавайте тогава, когато използвате уреда в стая, където се намират следните хора: бебета, деца, възрастни лица и лица с дихателни проблеми.
- Не използвайте уреда на места, където се борави с химични вещества.
- Не поставяйте пръстите или чужди предмети в решетките или отворите. Обърнете особено внимание за предупреждаване на децата по отношение на тези опасности.
- Не поставяйте тежки предмети върху захранващия кабел и внимавайте да не бъде смачкан.
- Не се качвайте и не сядайте на уреда.
- Фиксирайте добре филтрите. Почиствайте ги на всеки две седмици.
- Ако проникне вода в уреда, спрете уреда и изключете го от източника за захранване с електроенергия, след това свържете се с квалифициран техник.
- Не поставяйте върху уреда вази за цветя или други съдове с вода.
- Не използвайте удължители.



Внимание!

- Уредът може да се използва от деца на възраст най-малко 8 години и от лица с намалени физически, сетивни или умствени способности, или с липса на достатъчен опит и познания, само ако са под наблюдение или са получили указания във връзка с използването на уреда по безопасен начин и ако разбират опасностите, които могат да възникнат при използване на уреда. Децата нямат право да си играят с уреда. Почистването и поддръжката не трябва да се извършват от деца без надзор (разпоредба, приложима за държавите от Европейския съюз).
- Уредът не е предназначен за използване от лица (включително деца) с намалени физически, сетивни или умствени проблеми, или с липса на опит и познания, освен ако са под наблюдение или са получили указания по отношение на използването на уреда от лице, което е отговорно за тяхната безопасност. Децата трябва да бъдат под наблюдение, така че да не си играят с уреда (разпоредба, приложима за другите държави извън Европейския съюз).
- С цел предотвратяване на опасности, ако захранващият кабел е повреден, трябва да се подмени от производителя, от неговия сервизен представител или от лица с подобна квалификация.
- Преди почистването или извършване на други дейности по поддръжка на уреда, изключете щепсела от източника на захранване.
- Не инсталирайте уреда на място, където може да бъде изложено на изтичане на запалими газове. Ако се натрупват запалими газове в близост до уреда, може да причинят пожар.
- Ако електроуредът се преобърне по времето на употреба, изключете го и незабавно извадете щепсела от източника на захранване. Проверете визуално уреда за повреди. Ако има подозрения, че устройството е било повредено, свържете се със сервизен техник или сервизна служба.
- По време на гръмотевни бури, изключете захранването и извадете щепсела от контакта за да се избегне повреда на уреда поради токов удар.
- Не прекарвайте захранващия кабел под килими и не го покривайте с мокет, траверси или други подобни материали. Не поставяйте захранващия кабел върху остри ръбове, под мебели или под други мебели. Разположете кабела далеч от местата за движение, така че да не се спъвате в него.
- Не използвайте уреда, ако щепселът или захранващият кабел са повредени. Изключете уреда и се обадете в специализиран сервизен център с оглед проверка и ремонт на уреда.
- За да намалите риска от токов удар, не използвайте този уред с електронни регулатори.
- Уредът трябва да се инсталира в съответствие с приложимите разпоредби за електрически инсталации.
- За ремонт или поддръжка на този уред свържете се с оторизиран сервизен техник.
- Изключвайте уреда, когато няма да го използвате.
- Табелката с техническите данни се намира върху задния панел на уреда и съдържа електрически данни и други данни, които са специфични за този уред.
- Уверете се, че уредът е правилно заземен. Правилното заземяване е от особена важност с цел намаляване до минимум на рисковете от токов удар и пожар. Захранващият кабел е оборудван със щепсел със заземяване с три контактни щифта с цел защита от токов удар.
- Уредът трябва да се захранва от стенен електрически контакт, който е заземен по съответстващ начин. Ако стенният контакт, който възнамерявате да използвате, не е заземен по адекватен начин или не е защитен с предпазител със закъснение или един прекъсвач (за електрически данни, моля, вижте табелката с техническа информация), изисквайте от квалифициран електротехник да инсталира съответстващ контакт.
- Не използвайте обезвлажнителя във влажна стая, например в баня или перално помещение.
- Печатната платка на уреда е оборудвана с предпазител за защита от свръхток. Спецификациите на предпазителя са отпечатани върху печатната платка: T3,15A/250 V (или 350 V) и др.

Информация относно флуорирани газове (не се прилага за уреди, които работят с хладилен агент R290)

1. Флуорираните парникови газове се съхраняват в херметично затворено оборудване. За конкретна информация относно вида, количеството и еквивалента на CO₂ в тонове на флуорирани парникови газове (при някои модели), моля, вижте информацията, посочена върху етикета на уреда.
2. Инсталирането, отстраняването на повреди, поддръжката и ремонтването на този уред трябва да се извършват от квалифициран техник.
3. Демонтирането и рециклирането на продукта трябва да се извършват от квалифициран техник.



Предупреждения относно използването на хладилен агент R32/R290

- Не използвайте никакви средства за ускоряване на процеса на размразяване или за почистване на системата, различни от препоръчаните от производителя.
- Уредът трябва да се съхранява в помещение без непрекъснат открит пламък (например открит пламък, работеща готварска печка или работещ електрически нагревател).
- Не пробивайте и не изгаряйте.
- Имайте предвид факта, че е възможно хладилните агенти да нямат миризма.
- Уредът трябва да се инсталира, използва и съхранява в помещение с използвана площ, която да съответства на количеството хладилен агент, което следва да бъде заредено. За информация относно вида на газа и неговото количество, моля вижте етикета върху уреда.
- Уредът трябва да се инсталира, използва и съхранява в помещение с полезна площ над 4 кв.м.
- Необходимо е да се спазват националните разпоредби относно газовете. Не покривайте вентилационните отвори на уред
- Уредът трябва да се съхранява така, че да се предотврати възникването на механични повреди.
- Уредът трябва да се съхранява в добре вентилирана зона, където размерите на помещението съответстват на повърхността, предвидена за функциониране.
- Всяко лице, което участва в работа с хладилен агент или в охладителна верига, трябва да притежава валиден сертификат, издаден от акредитиран орган за оценка в областта, който има компетентността да разрешава безопасното третиране на хладилни агенти, в съответствие с критериите за оценка, признати в областта.
- Ремонтите трябва да се извършват само съгласно препоръките на производителя. Операциите по поддръжка и поправяне (отстраняване на проблеми), които изискват помощ от страна на друг квалифициран персонал, трябва да се извършват под надзора на квалифицирано лице за използване на запалими хладилни агенти.
- Уредът трябва да се съхранява в помещение без непрекъснат открит пламък (например уред, който функционира с газ) и източници на запалване (например електрически нагревател).



Внимание! Опасност от пожар! Запалими материали!

Обяснение на символите върху уреда (само за хладилен агент R32/R290):

	ПРЕДУПРЕЖДЕНИЕ!	Този символ показва факта, че уредът функционира със запалим хладилен агент. Ако изтичащият хладилен агент е изложен на източник на запалване, съществува опасност от пожар.
	ВНИМАНИЕ!	Този символ показва факта, че наръчникът за употреба трябва да се прочете внимателно.
	ВНИМАНИЕ!	Този символ показва факта, че само квалифициран техник трябва да борава с оборудването като следва инструкциите от наръчника за инсталиране.
	ВНИМАНИЕ!	Този символ показва факта, че има допълнителна информация в наръчника за употреба или в този за инсталиране.

1. Транспорт на оборудване, което съдържа запалими хладилни агенти.

Вижте разпоредбите в областта на транспорта.

2. Маркиране на оборудването със знаци

Вижте местните разпоредби.

3. Елиминиране на оборудване, което функционира със запалими хладилни агенти

Вижте националните разпоредби.

4. Съхранение на оборудването/уредите

Съхранението на оборудването трябва да се извършва само в съответствие с инструкциите на производителя.

5. Съхраняване на опаковани (непродадени) уреди

Опаковката при съхранение не трябва да позволява изтичане на хладилен агент при механично повреждане на намиращия се в нея уред. Максималният брой уреди, които може да се съхраняват заедно, се определя от местните разпоредби.

6. Информация относно сервизното обслужване

A. Verificările locale

Преди започване на работа по система, която съдържа леснозапалим хладилен агент е необходимо да се извършат проверки за безопасност, за да се намали до минимум рискът от възпламеняване. Преди започване на ремонт на хладилна система трябва да се изпълнят посочените по-долу предпазни мерки.

Б. Работна процедура

Работната процедура трябва да се контролира, за да се намали до минимум рискът от изпускане на леснозапалими газове или пари по време на работа.

В. Общи изисквания към работното място

Всички работници по поддръжката и други намиращи се наблизо лица трябва да се уведомят за характера на изпълняваната дейност. Трябва да се избягва работа в ограничено пространство. Зоната около работното място трябва да се ограда. Обезопасете оградената зона чрез отстраняване на леснозапалимите вещества.

Г. Проверка за присъствие на хладилен агент

Преди започване и по време на работа зоната трябва да се проверява с подходящ детектор за хладилен газ, за да се гарантира, че техникът знае за създалата се потенциално експлозивна атмосфера. Проверете дали използваният детектор за течове е подходящ за откриване на леснозапалими хладилни агенти, т.е. не създава искри, има подходящо уплътнение или е с искробезопасно изпълнение.

Д. Наличие на пожарогасител

Ако трябва да се извършва работа при високи температури спрямо хладилното оборудване или спрямо който и да е компонент от него, трябва да имате под ръка подходящ пожарогасител. В зоната за зареждане трябва да има пожарогасител със сух прах или с въглероден двуокис.

Е. Без източници на запалване

Лицата, които работят по хладилни системи и отварят тръбопроводи, които съдържат или са съдържали леснозапалим хладилен агент, не трябва да използват източници на запалване по начин,

който може да създаде опасност от възникване на пожар или експлозия. Всички възможни източници на запалване, в това число пушенето на цигари, трябва да са на достатъчно разстояние от мястото на монтиране, ремонт, демонтиране или изхвърляне, когато е възможно леснозапалим хладилен агент да попадне в околната атмосфера. Преди започване на работа мястото трябва да се провери за наличие на леснозапалими вещества и източници на запалване. Необходимо е да се поставят знаци „Пушенето е забранено“.

Ж. Вентилация

Убедете се, че мястото на работа е на открито или в помещение с добра вентилация преди да отворите системата или да започнете огнева дейност. Вентилацията трябва да работи през времето на изпълнение на тези дейности. Вентилацията трябва безопасно да отвежда отделените хладилни газове и за предпочитане да ги изхвърля на открито в атмосферата.

З. Проверки на хладилното оборудване

Задължително се спазват указанията на производителя относно техническото обслужване и ремонта. При неясноти се обръщайте за съдействие към техническия отдел на съответния производител. При работа по инсталации, съдържащи запалим хладилен агент, трябва да се изпълняват посочените по-долу проверки:

Количеството хладилен агент трябва да съответства на размера на помещението, в което са монтирани съдържащите агента части.

Вентилационните системи и изходи трябва да работят нормално и без препятствия по пътя на въздуха. При използване на непряка хладилна система, трябва да се провери присъствието на хладилен агент във втората верига; -Означенията по оборудването трябва да се виждат и да могат да се разчитат; Нечетливите надписи и знаци трябва да се поправят.

Хладилните тръби и други части трябва да се монтират на място, където е малко вероятно да попаднат под въздействието на вещества, които могат да предизвикат корозия по тях, освен когато частите са изработени от материали, които не подлежат на корозия или имат подходяща защита от подобна корозия.

И. Проверки на електрическите устройства

Преди ремонт или обслужване на електрически компоненти трябва да се извършат проверки за безопасност и огледи на компонентите. При откриване на неизправност, която влошава нивото на безопасност, не трябва да се подава захранване на веригата а преди проблемът да се отстрани по задоволителен начин. Ако неизправността не може да се отстрани незабавно, но се налага работата да продължи, може да се използва подходящо временно решение. Това трябва да се съобщи на собственика на оборудването, за да информира когото е необходимо.

Началните проверки за безопасност трябва да включват:

Проверка дали всички кондензатори са разредени: това се извършва по безопасен начин без възможност за предизвикване на искри; проверка за изключено напрежение в компонентите и кабелите по време на зареждане, изпразване или продухване на системата; проверка за изправност на заземяването.

Й. Ремонтване на херметизирани компоненти

1) Преди започване на ремонт на херметизирани компоненти трябва да се изключат всички източници на захранване на съответното оборудване, след което да се разположи постоянно работещ детектор за теч в близост до най-критичното място, който да предупреждава за възникване на евентуално опасна ситуация.

2) По-специално внимание трябва да се обръща на следното: По корпуса не трябва да има промени, които понижават степента на защита. Това включва повреди по кабелите, прекомерно голям брой съединения, клеми, които не съответстват на оригиналните изисквания, повредени уплътнения, неправилно монтирани кабелни втулки и др. Проверете дали състоянието на уплътненията или уплътняващите материали не се е влошило дотолкова, че да не осигуряват защита срещу проникване на леснозапалими газове. Резервните части трябва да отговарят на техническите изисквания на производителя. Резервните части трябва да отговарят на техническите изисквания на производителя. Забележка: Използването на силиконови препарати за уплътняване може да влоши ефективността на някои видове детектори за теч. Искробезопасните компоненти може да не се изключват преди започване на работа по тях.

К. Ремонт на искробезопасни компоненти

Не свързвайте към веригата постоянни индуктивни и капацитивни товари без предварително да се убедите, че те няма да причинят превишаване на допустимото напрежение и допустимия ток за съответното устройство. В присъствието на леснозапалими газове може да се работи под напрежение само по компоненти в искробезопасно изпълнение. Тестовото оборудване трябва да е с подходящи

параметри. Използвайте само резервни части, които са посочени от производителя. Използването на други части може да доведе до запалване на хладилния агент в атмосферата вследствие на изтичане.

Л. Кабели

Проверете дали кабелите не са подложени на износване, корозия, прекомерно притискане, вибрации, контакт с остри ръбове или други неблагоприятни външни въздействия. Проверката трябва да отчита също стареенето и продължителното влияние на вибрациите, например от компресори или вентилатори.

М. Откриване на теч на леснозапалими хладилни агенти

При търсене или проверка за теч на хладилен агент в никакъв случай не трябва да се използват източници на запалване. Не се допуска използване на халогенен вакуумметър или други детектори с открит пламък.

Н. Методи за откриване на течове

Посочените по-долу методи за откриване на течове се считат за допустими при използване със системи, които съдържат леснозапалим хладилен газ: Електронни детектори за течове могат да се използват за откриване на леснозапалими хладилни агенти, но може чувствителността им да е недостатъчна или да се нуждаят от специално калибриране (детекторите трябва да се калибрират на място без наличие на хладилни газове). Проверете дали детекторът не може да стане източник на запалване и дали е подходящ за използвания хладилен агент. Детекторите за теч трябва да се настройват на процент от долната граница на възпламеняване на хладилния агент, както и да се калибрират за използвания хладилен агент и за съответната концентрация на газа (не повече от 25%). Течности за откриване на течове може да се използват с повечето хладилни агенти, но трябва да се избягват детергенти, съдържащи хлор, тъй като хлорът може да реагира с хладилния агент и да предизвика корозия на медните тръбопроводи. При подозрение за теч трябва да се отстранят/загасят всички източници на открит пламък.

При откриване на теч, чието отстраняване изисква запояване с бронзови електроди, всичкият хладилен агент трябва да се извлече от системата или да се изолира (чрез спирателни вентили) в отдалечена от мястото на теча част от системата.

След това системата се продухва с азот без примеси на кислород (преди началото и по време на запояването).

О. Изпразване и вакуумиране

При отваряне на хладилната верига за ремонт или с друга цел трябва да се използват обичайните методи. За намаляване на опасността от възпламеняване трябва да се спазват правилата на добрата практика. Използвайте следната процедура:

Извлекете хладилния агент от системата; продухайте системата с инертен газ; вакуумирайте; продухайте отново с инертен газ; отворете веригата чрез разрязване или разпояване.

Хладилният агент трябва да се събира в предназначени за целта бутилки. Системата трябва да се продухва с азот, който не съдържа кислород, за да стане безопасна.

Може да се наложи процедурата да се повтори няколко пъти. Не се допуска продухване със сгъстен въздух или кислород. Продушването трябва да се извършва чрез напълване до работно налягане, изпускане в атмосферата и накрая вакуумиране. Процесът се повтаря, докато в системата не остане хладилен газ. След последното пълнене системата се изпразва до атмосферното налягане, за да може да се работи по нея. Тази операция е абсолютно задължителна, когато по тръбопроводите ще се извършва запояване. Проверете дали изходът на вакуумната помпа не е близо до източник на запалване, дали има вакуум в системата след продушването и наличието на непрекъснато работеща вентилация.

П. Процедури за зареждане

Освен правилата на обичайните процедури за зареждане е необходимо да се спазват и посочените по-долу изисквания: Проверете дали при използване на машината за зареждане хладилният агент не се замърсява с други подобни газове. Маркучите и тръбопроводите трябва да са възможно най-къси, за да се намали до минимум количеството на хладилния агент в тях.

Бутилките трябва да се съхраняват в изправено положение.

Преди да започнете зареждане с хладилен агент проверете дали системата е заземена. Поставете етикет на системата (ако няма), след като я заредите.

Трябва специално да внимавате да не препълните системата с хладилен агент. Преди да заредите системата трябва да я проверите под налягане чрез запълване с азот без съдържание на кислород. Системата трябва да се провери за течове след зареждането, но преди въвеждане в експлоатация. Втора проверка за течове трябва да се извърши преди напускане на обекта.

Р. Извеждане от експлоатация

а) Преди да изпълни тази процедура техникът задължително трябва да се запознае подробно с оборудването и всички негови особености. Препоръчвана добра практика е хладилният агент да се извлече безопасно. Преди изпълнение на процедурата трябва да се вземат проби от маслото и хладилния агент за евентуален анализ преди повторна употреба на извлечения хладилен агент. Необходимо е преди започване на работа да има електрическо захранване.

Запознайте се с оборудването и неговата работа. б) Изолирайте системата от електрическата мрежа.

в) Преди да започнете процедурата осигурете: Механично оборудване за товарене и разтоварване на бутилките с хладилен агент; Индивидуални предпазни средства за всички присъстващи, които трябва да ги използват правилно; Компетентно лице за контролиране на процеса на извличане на хладилния агент; Машина за изпълнение на операцията и бутилки, които отговарят на изискванията на съответните стандарти. г) При възможност вакуумирайте системата. д) Ако това не е възможно, направете колектор, за да извлечате хладилния агент едновременно от няколко части на системата. е) Проверете дали бутилката е поставена върху везната, преди да започнете да извлечате хладилния агент. ж) Включете машината за извличане и я използвайте съгласно инструкциите на нейния производител. з) Не препълвайте бутилките. и) Не превишавайте максималното работно налягане на бутилката, дори за кратко време. й) След като бутилките се напълнят правилно и процедурата приключи, вземете мерки оборудването и бутилките незабавно да се изнесат от обекта и всички спирателни вентили на системата да се затворят. к) Извлеченият хладилен агент не трябва да се зарежда в друга хладилна система преди да се пречисти и провери.

С. Означаване

Системата трябва да се означава с етикет, който уведомява, че е изведена от експлоатация и в нея няма хладилен агент. Етикетът трябва да има дата и подпис. Погрижете се по системата да има табелки, които предупреждават за наличие на леснозапалим хладилен агент в нея.

Т. Извличане на хладилния агент

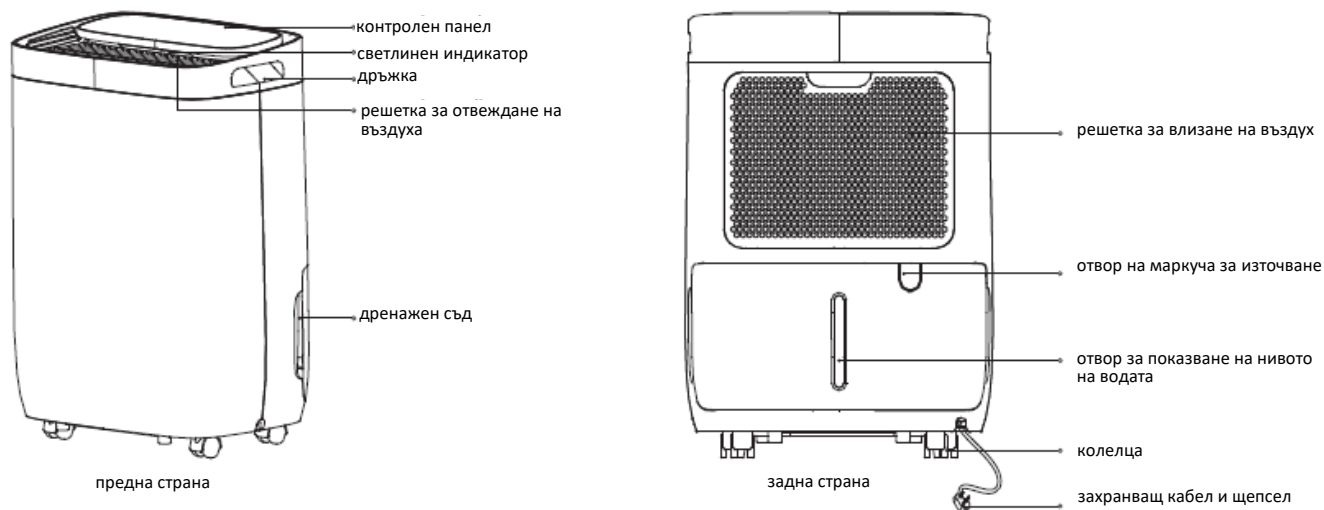
При извличане на хладилния агент от системата с цел обслужване или извеждане от експлоатация, препоръчаната добра практика изисква всички хладилни агенти да се извлекат по безопасен начин. При извличане на хладилния агент в бутилки внимавайте да използвате само бутилки от съответния вид. Погрижете се да разполагате с достатъчен брой бутилки за поемане на цялото количество хладилен агент от системата. Всички използвани бутилки трябва да са предназначени и означени за извличания хладилен агент (напр. специални бутилки за извлечен хладилен агент). Бутилките трябва да имат работоспособни изпускателен клапан и спирателен вентил. Преди започване на извличането на хладилния агент празните бутилки трябва да се вакуумират и по възможност да се охладят. Оборудването за извличане на хладилния агент трябва да е в добро работоспособно състояние и комплектовано с предназначени за него инструкции, а също така да е подходящо за извличане на леснозапалими хладилни агенти.

Допълнително трябва да разполагате с работоспособна и калибрирана везна. Маркучите трябва да имат съединители в добро състояние, които не позволяват изтичане на газ при свързване и разединяване. Преди включване на машината за извличане на хладилния агент проверете дали тя е в добро работоспособно състояние, обслужена е правилно и евентуалните електрически компоненти са изолирани за предотвратяване на възпламеняване в случай на изтичане на хладилен газ.

При съмнение се консултирайте с нейния производител. Извлеченият хладилен агент трябва да се върне на производителя в подходяща бутилка, придружена от документ за транспортиране на отпадъци. Не смесвайте различни хладилни агенти в машината за извличане и особено в бутилките. Ако трябва да се отстрани и маслото в компресора(ите), погрижете се да го извлечете почти напълно, за да не остане в системата леснозапалим хладилен агент, разтворен в маслото. Извличането трябва да се извърши преди връщане на компресора на доставчика. За ускоряване на процеса корпусът на компресора може да се подгръва само с електрически нагреватели. След източване на маслото от системата то трябва да се изнесе по безопасен начин.

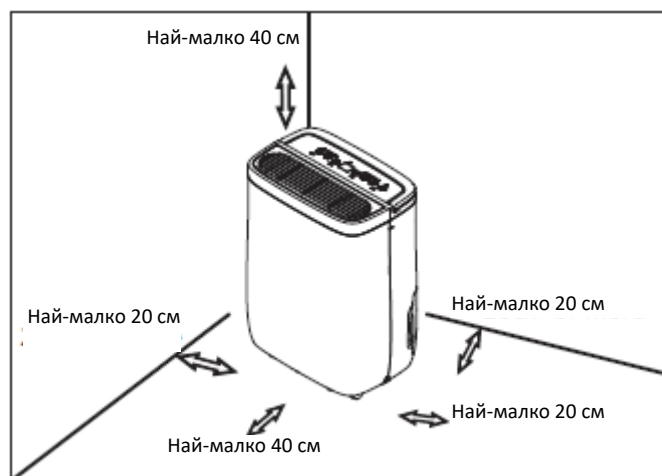
3. ПОДГОТОВКА

Идентифициране на компонентите



За да се осигури оптимална производителност на нашите продукти, спецификациите относно проектирането на уреда може да се променят без предизвестие.

Позициониране на уреда



Колелца (на четири места в долната страна на уреда)

- Колелцата могат да се движат свободно.
- Не насилвайте колелцата, за да предвижвате уреда върху мокет и не предвижвайте уреда тогава, когато неговият съд съдържа вода (уредът може да се преобърне разливайки водата.)

При включване на обезвлажнител в подземие, то ще бъде малко ефективно или изобщо няма да е ефективно с оглед изсушаване на зона за складиране / съхранение като шкаф, ако не се позволява адекватна циркулация на въздуха към и откъм онази зона.

- Не използвайте уреда на открито.
- Този обезвлажнител е предназначен за използване само в закрити помещения, за домашна употреба. Този обезвлажнител не трябва да се използва за търговски или промишлени цели.
- Поставете обезвлажнителя върху хоризонтална и равна част на пода, която е достатъчно здрава, за да поддържа уреда дори тогава, когато съдът за събиране на вода е пълен.

- Оставете място най-малко 20 см от двете страни на уреда, за да осигурите съответстваща циркулация на въздуха (оставете пространство от най-малко 40 см срещу отвора за извеждане на въздуха).
- Поставете уреда на място, където температурата не пада под 5°C (41°F). При температури под 5°C (41°F) серпентините могат да се покрият с лед, като това може да намалява производителността на уреда.
- Не поставяйте уреда в близост до сушилни за дрехи, нагреватели или радиатори.
- Уредът може да се използва за предотвратяване на щети, причинени от влага, в помещения, където се складира / съхраняват книги или ценни предмети.
- Уредът може да се използва в подземие, за да помага за предотвратяване на щети, причинени от влага.
- За максимална ефективност обезвлажнителят трябва да се използва в затворени помещения.
- Затворете всички врати, прозорци и отворите към външната част на стаята.

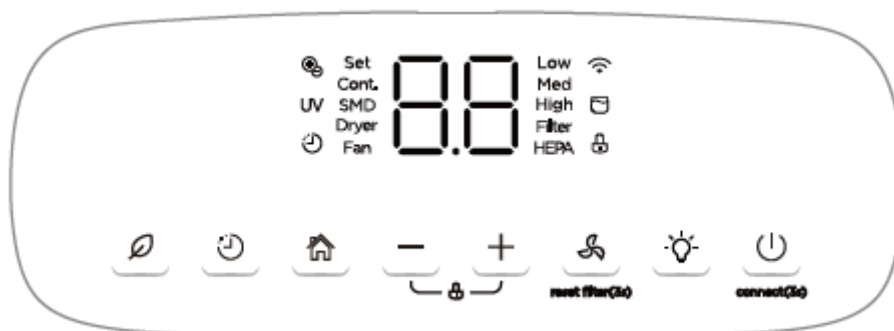
Използване на уреда

- Преди да използвате обезвлажнителя за първи път в режим „Непрекъснато обезвлажняване“, уверете се, че връзката между маркуча и отвора за извеждане е извършена по съответстващ начин и не позволява изтичане на вода.
- Този уред е проектиран да работи в среда с температури между 5°C/41°F и 32°C/90°F и в диапазона от 30% RH (относителна влажност) до 80% RH (относителна влажност).
- Ако уредът е изключен и е необходимо неговото бързо повторно включване, изчакайте около три минути, така че функционирането да може да се възстанови правилно.
- Не захранвайте обезвлажнителя от електрически контакт с повече гнезда, в който са включени и други електроуреди.
- Изберете подходящо място и уверете се, че електрическият контакт е лесно достъпен.
- Захранвайте уреда от заземен електрически контакт.
- Уверете се, че съдът за събиране на водата е фиксиран правилно. В противен случай уредът няма да функционира по съответстващ начин.
Забележка: Когато водата от съда за събиране на вода достигне определено ниво, погрижете се да предотвратите нейното разливане.

4. ИНСТРУКЦИИ ЗА УПОТРЕБА

Характеристики на контролния панел

Забележка: Изображението с контролния панел служи само за информация. Реалната форма е референтна. В зависимост от закупения модел, контролният панел може да е малко по-различен. Възможно е Вашият уред да не е оборудван с някои от индикаторите или бутоните. Реалната форма е референтна.



Индикатор	Функция	Индикатор	Функция	Индикатор	Функция
	Бутон/светлинен индикатор таймер		Бутон за скорост на вентилатора		Бутон светлинен индикатор ниво на влажност
	Бутон избор на режими		Бутон функция „FRESH“		Индикатор за напълване на контейнера с вода
	Бутон за захранване		Бутони „Нагоре“ и „Надолу“		UV светлина (не се предлага за този модел)
	Светлинен индикатор за заключване		Индикатор функция „Wireless“		Индикатор функция „FRESH“

Бутон за захранване

Натиснете този бутон, за да включите или изключите обезвлажнителя.

Бутон избор на режими

- Натиснете върху този бутон, за да изберете желаните режим на работа: режим на задаване на нивото на обезвлажняване, режим на сушене, режим на интелигентно обезвлажняване, режим на непрекъснато обезвлажняване и режим на работа като вентилатор (за някои модели).
- В режим на задаване на нивото на обезвлажняване светва светлинния индикатор „Set“.

Забележка: Нивото на обезвлажняване не може да се регулира в режим на непрекъснато обезвлажняване, режим на сушене и режим на интелигентно обезвлажняване.

В режим на работа като вентилатор функцията за обезвлажняване е неактивна.

Инсталирайте HEPA филтъра (високоэффективен филтър за частиците във въздуха). Уредът не може да регулира режима на работа, а HEPA индикаторът ще светне.

Бутонът за функция таймер

- Натиснете този бутон заедно с бутони „+“ и „-“, за да активирате функция автоматично включване или функция автоматично изключване. Когато уредът е включен, натиснете върху този бутон, за да активирате функция автоматично изключване. Когато уредът е изключен, натиснете върху този бутон, за да активирате функция автоматично включване.
- Натиснете кратко или дълго бутон „+“ или бутон „-“, за да промените интервала от време до автоматичното включване, на стъпки по 0,5 часа (до времетраене от 10 часа), след това на стъпки по 1 час (до времетраене от 24 часа).
- Уредът ще започне обратно броене до включването.
- Избраното времетраене ще бъде записано за 5 секунди, след което системата ще се върне към изписването на предходната настройка на влажност.
- Ако изключите или включите уреда в този интервал или ако промените настройката на таймера при 0.0, функцията автоматично включване/изключване ще бъде дезактивирана.
- Също така функцията автоматично включване/изключване ще бъде дезактивирана, когато върху екрана се появи код P2.

Бутони „Нагоре“ (+) и „Надолу“ (-)

- За настройка на нивото на влажност
Нивото на влажност може да бъде настроено при стойности между 35% ОВ (относителна влажност) и 85% ОВ (относителна влажност), на стъпки от 5%. За по-сух въздух натиснете бутон „-“ и задайте по-ниска процентна стойност (%). За по-влажен въздух натиснете бутон „+“ и задайте по-висока процентна стойност (%).
- За настройка на таймера
Използвайте бутони „+“ и „-“ с цел настройка на интервала до автоматичното включване или на този до автоматичното изключване, от 0 до 24 часа.

Бутонът за вентилатор

- С помощта на този бутон може да контролирате скоростта на вентилатора. Натиснете върху този бутон, за да изберете оборотите на вентилатора: ниски, средни или високи. Индикаторите светват в зависимост от оборотите на вентилатора.
- Натиснете и задръжте натиснат за 3 секунди бутона за вентилатор, за да изчистите напомнянето за филтъра, когато мига неговият светлинен индикатор (за някои модели).

Забележка: След 250 часа работа ще се активира функцията за напомняне за почистване на филтъра.

Бутонът за функция безжично свързване

- Натиснете и задръжте натиснат бутона за захранване по време на 3 секунди, за да активирате режима на безжично свързване. Върху светодиодния дисплей се изписва „AP“, за да покаже, че може да настройвате безжичната връзка.
- Ако е установена връзката в рамките на 8 минути, устройството ще дезактивира автоматично режима на безжична връзка, индикаторът за безжичната връзка ще светне и уредът ще активира предишната функция. Ако не е установена връзката в рамките на 8 минути, устройството ще дезактивира автоматично режима на безжична връзка.

Забележка: Когато уредът се свързва с Интернет, светлинният индикатор мига в бяло.


Бутонът за функция „FRESH”

Натиснете върху бутона „FRESH”, за да активирате функцията „FRESH”, след което ще светне индикаторът за функцията. Светлинният индикатор „FRESH” и светлинният индикатор UV ще светват едновременно при някои модели. При други модели ще светва само светлинният индикатор UV. Йонизаторът и UV функцията помагат за пречистване на въздуха в стаята. Натиснете отново върху бутона „FRESH”, за да дезактивирате функцията „FRESH”, след което светлинният индикатор за функцията ще изгасне.

Функция за заключване

- Натиснете и задръжте натиснати бутоните Нагоре (+) и Надолу (-) за 3 секунди, за да активирате функцията за заключване. Ще се включи светлинният индикатор, съответстващ за функцията за заключване. Всички текущи настройки са заключени и контролният панел ще може да се използва само за дезактивиране на функцията за заключване.
- Натиснете и задръжте натиснати тези два бутона отново, за да дезактивирате функцията за заключване.

Бутонът на светлинния индикатор за нивото на влажност

- Натиснете върху бутона , за да светнете или изгасите индикатора.
- Когато нивото на влажност надвиши 65%, светлинният индикатор светва в червено.
- Когато нивото на влажност е между 45% и 65%, светлинният индикатор светва в зелено.
- Когато нивото на влажност е под 45%, светлинният индикатор светва в жълто.

Забележка: Когато е включен светлинният индикатор за напълване на контейнера за събиране на вода или индикаторът за почистване на филтъра, светлинният индикатор за нивото на влажност ще светва в оранжево и ще изгасва за 1 секунда на всеки 4 секунди.

Цифров екран

Върху екрана се показва зададеното ниво (%) на влажност, между 35% и 85%, времето до автоматично включване/изключване (0 ~ 24) и действителното ниво на влажност в стаята (с точност от $\pm 5\%$), в рамките на обхвата между 30% ОВ (относителна влажност) и 90% ОВ (относителна влажност).

Кодове за грешка:

EH60 - Грешка на сензора за влажност. Изключете уреда от източника за захранване с електроенергия, след това включете го отново. Ако грешката продължава да се появява, свържете се със сервизния център.

EH61 – Грешка на сензора за температура на изпарителя. Изключете уреда от източника на захранване, след това го включете отново. Ако грешката продължава да се появява, свържете се със сервизния център.

EH02 – Грешка при откриване на ниска температура. Ако грешката продължава да се появява, свържете се със сервизния център.

EH03 – Грешка в скоростта на вентилатора. Ако грешката продължава да се появява, свържете се със сервизния център.

EH0b – Комуникационна грешка между вътрешната печатна платка (PCB) и платката на дисплея. Ако грешката продължава да се появява, свържете се със сервизния център.

Код за защита:

P2 - Контейнерът за събиране на водата е запълнен или не е поставен в правилната позиция. Изпразнете контейнера и позиционирайте го правилно. При някои модели светва индикаторът за напълване на събирателния контейнер.

Забележка: При поява на някоя от горните неизправности, уверете се, че функционирането не е възпрепятствано от определени причини и отстранете причините.

Рестартирайте уреда. Ако неизправността продължава да съществува, изключете уреда и извадете щепсела от източника на захранване.

Изисквайте техническа помощ.

Други характеристики

Индикатор за нивото на пълнене на съда за събиране на водата

Този индикатор светва тогава, когато съдът за събиране на водата е пълен, когато е изваден или когато не е монтиран в правилната позиция.

Автоматично размразяване

Ако се натрупа лед върху серпентината на изпарителя, компресорът ще се изключи автоматично, а вентилаторът ще продължава да функционира, докато ледът се елиминира.

Автоматично изключване

- Обезвлажнителят се изключва, когато контейнерът за събиране на водата е запълнен, когато е изваден или когато не е поставен в правилната позиция.
- При определени модели моторът на вентилатора ще продължава да функционира за 30 секунди.

Индикатор функция „FRESH”

При някои модели йонизаторът се включва и помага за пречистване на въздуха в стаята.

Защита чрез забавяне на включването с 3 минути

Ако уредът се изключи, той ще може да се включи отново само след 3 минути. Това е защитна функция. Функционирането ще започне отново автоматично след 3 минути.

Автоматично повторно включване

Ако уредът се изключи внезапно поради прекъсване на захранването с електроенергия, той ще включи автоматично предходно настроената функция при възстановяване на захранването с електроенергия.

Функция за непрекъснато обезвлажняване

При активиране на функцията за непрекъснато обезвлажняване обезвлажнителят ще работи непрекъснато, без да е възможно да се избере нивото на влажност. Натиснете върху бутона за избор на режим на работа, за да дезактивирате функцията за непрекъснато обезвлажняване.

Режим на интелигентно обезвлажняване

В режим на интелигентно обезвлажняване уредът контролира автоматично влажността в стаята в удобен интервал между 45% и 55%, според температурата в стаята. Функцията за настройка на влажността ще бъде дезактивирана.

Режим на задаване на нивото на обезвлажняване

В режим на задаване на нивото на обезвлажняване уредът може да се регулира в диапазона от 35% до 85%, като стойността на влажността може да се регулира (увеличава или намалява) на стъпки от 5%. Натиснете върху бутона за избор на режим на работа, за да дезактивирате режима на задаване на нивото на обезвлажняване.

Режим на изсушаване

Уредът ще има максимална производителност тогава, когато е настроен в режим на изсушаване. Скоростта на вентилатора не може да се регулира.

Забележка:

1. Режимът на изсушаване (в зависимост от модела) трябва да се използва в затворени помещения; не отваряйте вратата или прозореца.
2. За да получите възможно най-ефективното обезвлажняване, изстискайте (центрофугируйте) първо мокрите дрехи.
3. Уверете се, че въздушният поток е насочен към мокрите дрехи.
4. Обезвлажняването няма максимална ефективност при дебели и тежки дрехи.



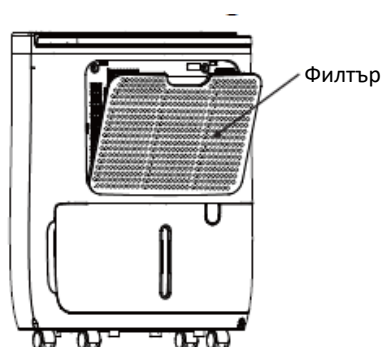
Индикаторът за филтър/HEPA

Функцията за проверка на филтъра служи за напомняне за смяна на въздушния филтър с цел по-ефективна работа. Светлинният индикатор за филтъра (HEPA индикаторът) ще мига след 250 часа работа на уреда. За да се нулира след почистване на филтъра, натиснете и задръжте натиснат бутона „Вентилатор“ за 3 секунди и светлинният индикатор ще изгасне.

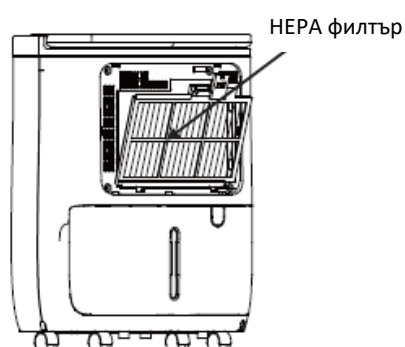
HEPA филтъра

- Инсталирайте HEPA филтъра (високоэффективен филтър за частиците във въздуха). Уредът ще работи само в режим „Вентилатор“ и HEPA индикаторът ще светне.

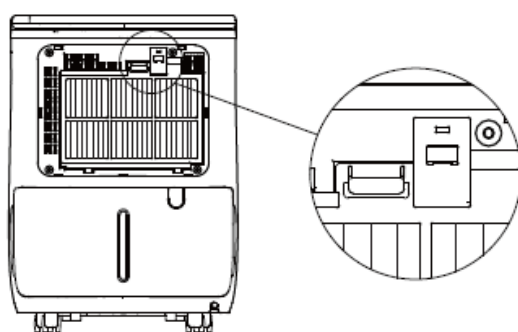
- Уверете се, че сте монтирали HEPA филтъра, както е показано в изображенията по-долу.



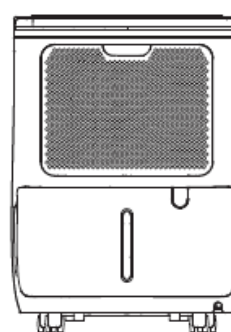
Фиг. 1. Извадете филтъра.



Фиг. 2. Вкарайте в уреда долната страна на HEPA филтъра.



Фиг. 3. Фиксирайте горната страна, както е показано.



Фиг. 4. Монтирайте филтъра.

Отстраняване на събраната вода

Съществуват два начина за отстраняване на събраната вода.

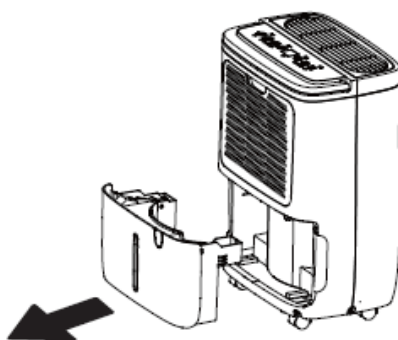
А. Използвайте контейнера

- Когато е запълнен контейнерът за събиране на вода, уредът се изключва автоматично и светлинният индикатор за напълване на контейнера започва да мига.
- Дръпнете леко съда. Хванете здраво за страничните дръжки, след това дръпнете внимателно задържайки съда прав, за да предотвратите разливането на водата. Не поставяйте съда върху пода, защото неговото дъно не е равномерно гладък. В противен случай съдът ще се преобърне и водата ще се разлее.
- Излейте водата през отвора за извеждане на водата и поставете контейнера обратно на място. Съдът трябва да се позиционира правилно, така че уредът да може да функционира. Уредът ще се включи отново, когато съдът е поставен отново в правилната позиция.

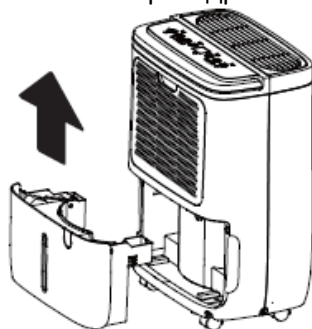
Забележка:

- Тогава, когато изваждате съда, не докосвайте компонентите от вътрешността на уреда. Неспазването на това указание може да доведе до повреждане на уреда.
- Уверете се, че съдът е влязъл изцяло в уреда. Ако съдът се застопори в някое препятствие или не е добре фиксиран, възможно е уредът да не функционира.
- Ако установите наличие на вода в уреда след изваждане на съда, избършете уреда.

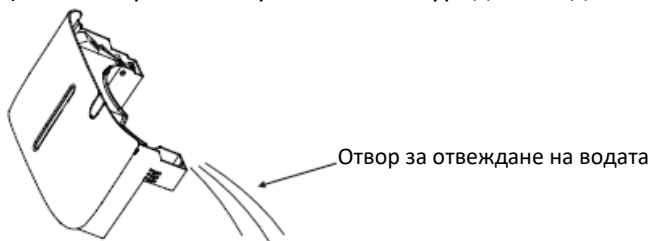
1. Дръпнете леко за контейнера.



2. Хванете за двете странични дръжки на контейнера и дръпнете го извън уреда.



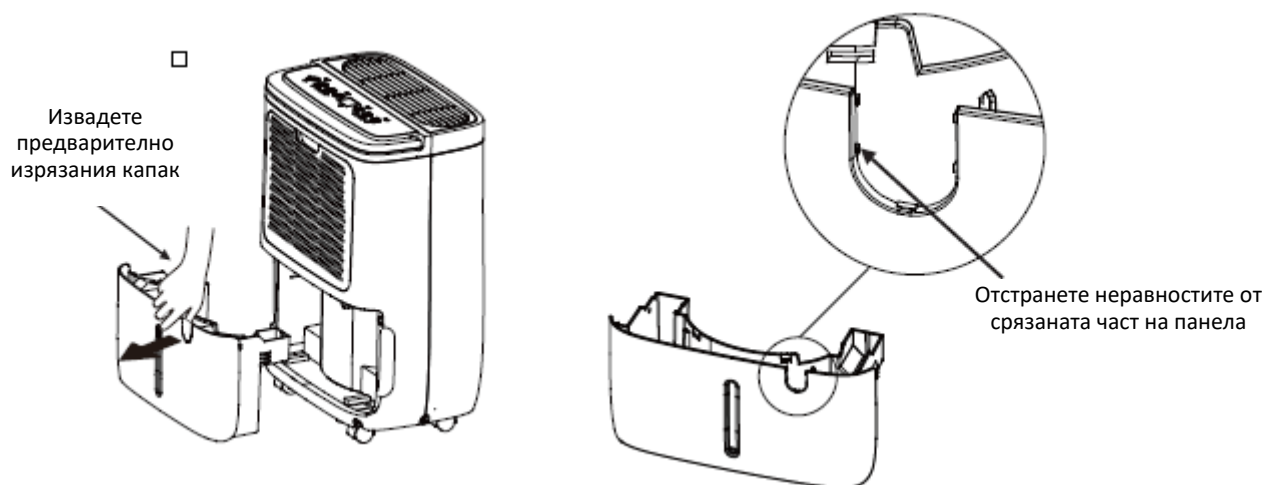
3. Излейте водата от контейнера (контейнерът на закупения от Вас уред може да е малко по-различен).



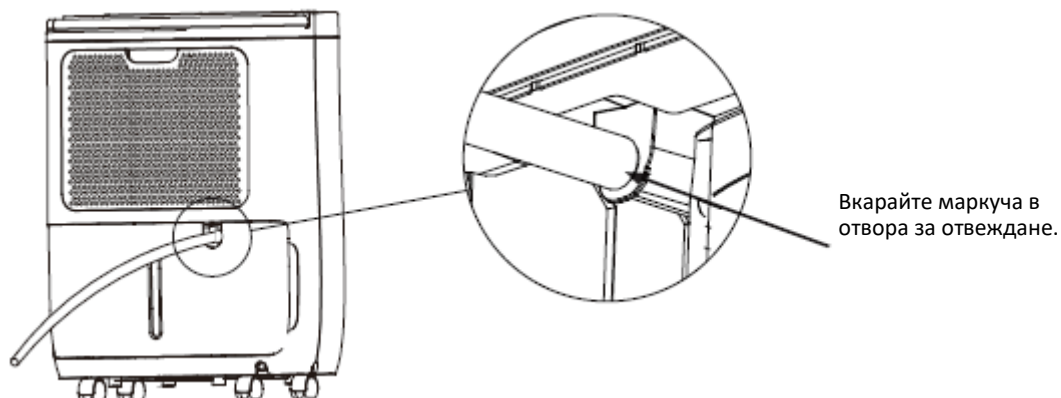
Б. Непрекъснато източване

Водата може да бъде изведена автоматично в изпускателен канал чрез монтиране на маркуч $\varnothing 16,5 \times 13,5$ мм (не е включен).

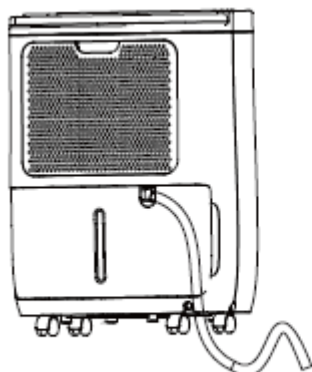
- Извадете предварително изрязания пластмасов капак от горната страна на контейнера.



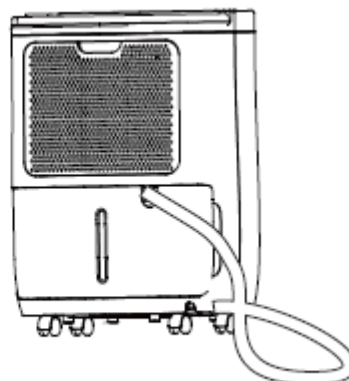
- Свържете маркуча към отвора за отвеждане на водата, който се намира в задната част на уреда.
- Уверете се, че връзката между маркуча и отвора за отвеждане е правилно осъществена и не позволява изтичане на водата.



- След това отведете маркуча към изпускателния канал или към подходяща дренажна инсталация. Дренажната инсталация трябва да бъде разположена по-долу спрямо отвора за отвеждане на уреда. Уверете се, че маркучът има правилен наклон, който да позволява безпроблемно източване на водата. Уверете се, че маркучът за отвеждане не е огънат.



Не възпрепятствайте източването на водата чрез вдигане на маркуча.



Не възпрепятствайте източването на водата чрез огъване на маркуча.

- Уверете се, че маркучът се намира под нивото на дренажния отвор.

Забележка:

- Когато не се използва функция непрекъснато източване, извадете маркуча за източване от отвора за отвеждане на водата.
- Използвайте клещи с човка, ако пластмасовият капак не може да се отстрани с ръка.
- Неравностите могат да наранят ръцете Ви, докато свързвате маркуча за източване. С помощта на райбер или на инструмент за премахване на ръбове отстранете неравностите от срязаната част на панела.

5. ПОЧИСТВАНЕ И ПОДДРЪЖКА

Изключвайте обезвлажнителя и изваждайте щепсела от контакта преди извършване на операции за почистване.

Почистване на решетката и корпуса

- Използвайте вода и слаб препарат за миене. Не използвайте избелващ препарат (белина) или абразивни вещества.

- Не пръскайте уреда с вода. Неспазването на това указание може да доведе до токов удар, повреждане на изолацията или образуване на ръжда върху уреда.
- Решетките за влизане и извеждане на въздуха се замърсяват лесно, като е необходимо използване на четка или прахосмукачка, за да бъдат почистени.

Почистване на съда

Почиствайте съда един път на няколко седмици, за да се предотврати образуването на мухъл и натрупването на бактерии. Напълнете частично съда с чиста вода и добавете малко слаб препарат за миене. Почистете съда, изпразнете го, след това изплакнете го.

Забележка: Не използвайте съдомиялна машина, за да почистите съда. След почистване съдът трябва да се позиционира правилно, така че обезвлажнителят да може да функционира.

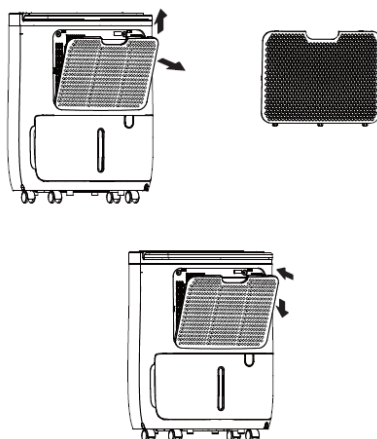
Почистване на въздушния филтър

Въздушният филтър зад предната решетка трябва да се проверява и почиства най-малко един път на две седмици (или по-често, ако е необходимо).

Забележка: не изплаквайте и не измивайте филтъра в съдомиялна машина.

За изваждане на филтъра:

- Хванете ухото на филтъра и го издърпайте навън, след това нагоре.
- Почиствайте филтъра с топла вода и сапун. Изплакнете филтъра и оставете го да изсъхне преди да го монтирате обратно на място. Не измивайте филтъра в съдомиялна машина.



Повторно монтиране на филтъра:

- Поставете въздушния филтър в уреда отдолу нагоре.



Внимание!

Не използвайте обезвлажнителя без филтър, тъй като мръсотията и власинките ще го запушат и ще намалят неговата производителност.

Забележка: Корпусът на уреда и предната му част могат да се почистват с кърпа, навлажнена във вода или в разтвор от топла вода и препарат за миене на съдове. Изплакнете добре и избършете със суха кърпа. Не използвайте силни почистващи препарати, восък или лакове върху предната част на уреда. Изстисквайте кърпата добре, преди да избърсвате областта на контролните бутони. Излишната вода в областта на контролните бутони може да доведе до повреждане на уреда.

В случай че уредът не се използва за дълъг период:

- След изключване на уреда изчакайте един ден преди да изпразните контейнера за събиране на водата.
- Почистете основното тяло, контейнера за събиране на водата и въздушния филтър.
- Покрийте уреда с найлонова торба.
- Съхранявайте уреда в изправено положение на сухо и добре проветриво място.

6. ОТСТРАНЯВАНЕ НА ПРОБЛЕМИ

Преди да се свържете със сервизния център, прочетете информацията по-долу.

Проблем	Причини и решения
Уредът не стартира	<ul style="list-style-type: none">• Уверете се, че щепселът на обезвлажнителя е добре свързан към електрическия контакт.• Проверете предпазителя/таблото с предпазители от жилището.• Обезвлажнителят е стигнал до предопределено ниво или съдът е пълен.• Съдът за събиране на водата не е позициониран правилно.
Обезвлажнителят не отстранява влагата от въздуха по съответстващ начин.	<ul style="list-style-type: none">• Оставете уреда да функционира по-дълго време, за да може да отстрани влагата.• Уверете се, че няма пердета, драперии или мебели, които блокират предната или задната страна на обезвлажнителя.• Възможно е да не сте настроили достатъчно ниско ниво за контрол на влажността.• Уверете се, че всички врати, прозорци и други отвори са добре затворени.• Температурата на стаята е твърде ниска, под 5 °C (41 °F).• Нагревател или друг източник генерира водни пари в стаята.
Продуктът образува силен шум тогава, когато е включен	<ul style="list-style-type: none">• Въздушният филтър е запушен.• Уредът е наклонен, вместо да е прав.• Повърхността на пода не е равномерно гладка.
Образува се лед върху серпентината	<ul style="list-style-type: none">• Това е нормално. Обезвлажнителят е оборудван с функция за автоматично размразяване.
Тече вода върху пода	<ul style="list-style-type: none">• Маркучът или неговата връзка е разхлабен(а).
Появяват се върху екрана съобщенията EН60, EН61, EН02, EН03, EН0b или P2.	<p>Това са кодове за грешка и кодове за защита. Вижте раздел "ХАРАКТЕРИСТИКИ НА КОНТРОЛНИЯ ПАНЕЛ".</p>



Изхвърляне на отпадъците по начин, отговорен за околната среда

Можете да помогнете за опазването на околната среда!

Моля спазвайте местните разпоредби: Предайте нефункциониращото електрическо оборудване на център за събиране на отпадъци от електрическо оборудване.



FRAM е регистрирана марка на компанията Network One Distribution SRL. Останалите търговски марки и наименованията на продуктите са търговски марки или регистрирани търговски марки на съответните им притежатели.

Нито една част от спецификациите не може да бъде възпроизвеждана под каквато и да е форма или средство, или използвана за получаване на производни като преводи, трансформации или адаптации, без предварителното съгласие на компанията NETWORK ONE DISTRIBUTION.

Copyright © 2013 Network One Distribution. Всички права запазени.

<http://www.nod.ro>, www.framelectrocasnice.ro, www.framappliances.com



Този продукт е проектиран и произведен в съответствие със стандартите и нормите на Европейската общност.



сител: **Network One Distribution**

ул. Марчел Янку № 3-5, Букурещ, Румъния

Tel: +40 21 211 18 56, www.nod.ro

fram



Páramentesítő

FDU-M12

Páramentesítő teljesítmény: 12 L
Szín: fehér



Köszönjük, hogy ezt a Fram terméket választotta!

1. BEVEZETÉS

Kérjük, figyelmesen olvassa el az utasításokat, és őrizze meg a kézikönyvet későbbi tanulmányozás céljából.

A kézikönyv célja a készülék beszerelésével, használatával és karbantartásával kapcsolatos minden szükséges tudnivalót rendelkezésére bocsátani. A készülék helyes és biztonságos használata érdekében, kérjük, hogy beszerelés és használat előtt olvassa el figyelmesen a használati kézikönyvet.

2. ÓVINTÉZKEDÉSEK

A felhasználó vagy mások halálának vagy sérülésének, illetve a vagyoni károk megelőzése érdekében az alábbi utasításokat be kell tartani. A használati utasítások figyelmen kívül hagyása miatt bekövetkező helytelen használat halált, sérülést vagy kárt okozhat.



Figyelmeztetés: Ez a szimbólum sérülés vagy halál veszélyére utal.



Figyelmeztetés: Ez a szimbólum a vagyoni kár vagy súlyos következmények kockázatát jelzi.



Figyelmeztetés

- Ne lépje át a hálózathoz csatlakozó villamos aljzat vagy a tápkábel elektromos terhelhetőségének határait.
- Ne kapcsolja ki vagy be a készüléket az áramforrás ki vagy bekapcsolása által.
- Ne használjon sérült vagy nem szabványos tápkábelt.
- Ne módosítsa a tápkábel hosszúságát, illetve ne terhelje további villamos készülékek csatlakoztatásával a készülék által használt hálózati aljzatot.
- Ne nedves kézzel csatlakoztassa/húzza ki a tápkábelt hálózatról.
- Ne szerelje a készüléket gyúlékony gázoknak kitett helyiségekbe.
- Ne helyezze a készüléket hőforrások közelébe.
- Azonnal kapcsolja le a készüléket az áramforrásról, amennyiben az furcsa zajokat, füstöt vagy szagokat bocsát ki.
- Ne próbálja meg szétszerelni vagy átalakítani a készüléket.
- Tisztítás előtt kapcsolja ki a készüléket és húzza ki a dugaszt az aljzatról.
- Ne használja a készüléket gyúlékony gáz vagy robbanásveszélyes anyagok (gázolaj, benzin, hígító, stb.) közelében.
- Ne igya meg és ne használja fel semmilyen célra a készülékből kicsepegtetett vizet.
- Működés közben ne próbálja meg eltávolítani a készülék víztartályát.
- Ne használja a készüléket kis helyiségekben.
- Ne helyezze a készüléket olyan helyekre, ahol vízzel kerülhet érintkezésbe.
- A készüléket vízszintes, szilárd padlón helyezze el.
- A levegő bemeneti vagy kimeneti nyílásait ne takarja le ruhákkal vagy törölközőkkel.
- Fokozott figyelem szükséges azokban a helyiségekben, amelyekben az alábbi csoportokhoz tartozó személyek tartózkodhatnak: csecsemők, gyermekek, idősek, valamint légúti nehézségekkel küszködők.
- Ne használja a készüléket olyan helyiségekben, ahol vegyszerekkel dolgoznak.
- Ne dugja az ujjait vagy más tárgyakat a rácsok közé vagy a nyílásokba. Különösen a gyermekeket figyelmeztesse ezekre a veszélyekre.
- Ne helyezzen nehéz tárgyakat a tápkábelre és vigyázzon, hogy a kábel ne nyomódjon össze.
- Ne másszon fel, illetve ne üljön rá a készülékre.
- Mindig jól rögzítse a szűrőket. Kéthetente takarítsa ki őket.

- Amennyiben a készülék belsejébe víz került, azonnal kapcsolja ki, áramtalanítsa, majd forduljon szakképzett szerelőhöz.
- Ne helyezzen virágvázat vagy más víztároló edényt a készülékre.
- Ne használjon hosszabbítókat.



Figyelem!

- A készüléket 8 év fölötti gyerekek és korlátozott fizikai, érzékszervi vagy mentális képességekkel rendelkező, illetve a megfelelő tapasztalattal és jártassággal nem rendelkező személyek csak felügyelet mellett használhatják, vagy ha felkészítették őket a készülék biztonságos használatára, illetve ha tisztában vannak a helytelen használat veszélyeivel. A gyermekeknek tilos játszani a készülékkel. A készülék tisztítását és karbantartását ne végezzék felügyelet nélkül hagyott gyermekek (az Európai Unió államaiban alkalmazandó előírás).
- A készülék nem használható csökkent értelmi, érzékszervi, vagy fizikai képességű személyek által (gyermeket is beleértve), vagy olyanok által, akik nem rendelkeznek a kellő mennyiségű tudással és tapasztalattal, csak felügyelet mellett, vagy ha a felügyeletért és a biztonságukért felelős személy megtanította őket a helyes használatra. A gyerekekre figyelni kell, nem kell engedni, hogy a készülékkel játszanak (az Európai Unió államain kívüli más országokban alkalmazandó előírás).
- A veszélyek elkerülése érdekében, ha a tápkábel megsérült, azt a gyártónak, a szervizközpontnak vagy hasonlóan képzett személynek kell kicserélnie.
- Tisztítás és egyéb karbantartási műveletek elvégzése előtt a készüléket húzza ki az elektromos hálózathoz.
- Ne szerelje a készüléket gyúlékony gázoknak kitett helyiségbe. Ha a készülék közelében gyúlékony gázok halmozódnak fel, azok tüzesetet okozhatnak.
- Amennyiben használat közben a készülék felborul, kapcsolja ki és azonnal húzza ki a dugaszt a tápforrásból. Időnként ellenőrizze vizuálisan a készüléket annak érdekében, hogy meggyőződjön arról, hogy nem hibásodtak meg. Ha felmerül a készülék sérülésének gyanúja, lépjen kapcsolatba egy szakemberrel vagy az ügyfélszolgálattal.
- Vihar esetén szakítsa meg az elektromos energia ellátást, hogy megelőzze a készülék villámcsapások miatti meghibásodását.
- A tápkábelt ne vezesse át szőnyegek alatt, és ne fedje be padlószőnyeggel, gerendákkal vagy egyéb hasonló anyagokkal. Ne helyezze a kábelt bútorok vagy készülékek alá. A kábel ne essen az útjába, hogy ne akadjon meg benne.
- Ne használja a készüléket amennyiben annak dugasza vagy tápkábele sérülésekre utaló nyomokat mutat. Vonja ki használatból a készüléket vagy a készülék ellenőrzése és a hibaelhárítás érdekében forduljon hivatalos javítóközpontba.
- Az áramütés veszélyének elkerülése érdekében ne használja ezt a készüléket elektronikus szabályozó-berendezésekkel.
- A készüléket az elektromos berendezésekre vonatkozó előírásoknak megfelelően kell felszerelni.
- A készülék javítása és karbantartása érdekében lépjen érintkezésbe egy szakszerviz képviselőjével.
- Használaton kívül kapcsolja ki a készüléket.
- A gyártó adattáblája a készülék hátsó falán található, rajta a készülék elektromos, illetve egyéb műszaki adatai találhatóak meg.
- Bizonyosodjon meg arról, hogy a készülék megfelelően van földelve. A megfelelő földelés elengedhetetlenül fontos az áramütés és a tűzveszély kockázatának minimalizálásához. A csatlakozó kábel háromvillás, földelt dugasszal van felszerelve, az áramütés elleni védelem érdekében.
- Amennyiben a használni óhajtott hálózati aljzat földelése nem megfelelő vagy nem rendelkezik késleltető biztosítóval vagy megszakító kapcsolóval (az elektromos adatokat lásd a műszaki tájékoztató táblán), forduljon szakképzett villanyszerelőhöz, aki ezt felszereli.
- Ne használja a páramentesítő készüléket nedves helyiségben, mint a fürdő vagy a mosoda.
- A készülék integrált áramköri lapja túláramvédelmi biztosítóval van ellátva. A biztosíték jellemzői az áramköri lapra vannak nyomtatva: T3,15A/250 V (vagy 350 V) stb.

A fluoros gázokra vonatkozó információk (nem érvényes az R290 hűtőközeggel működő készülékek esetében)

1. Az üvegházhatású fluoros gázokat légmentesen zárt berendezésekben tárolják. Az üvegházhatású fluoros gázok tonnában mért CO₂ mennyiségére és egyenértékére, típusára vonatkozó speciális információk érdekében (egyes modellek esetében) kérjük, tanulmányozza a készüléken található címkén feltüntetett információkat.
2. A készülék üzembe helyezését, zavarmentesítését, karbantartását és javítását hivatalos szakembernek kell elvégeznie.
3. A termék leszerelését és újrahasznosítását hivatalos szakembernek kell elvégeznie.





Figyelmeztetések az R32/R290 hűtőközeg használatára vonatkozóan

- Ne használjon a gyártó által ajánlott eszközöktől eltérő eszközöket a kiolvasztási művelet felgyorsításához vagy a rendszer kitisztításához.
- A berendezést állandó nyílt láng (például: nyílt lángok, működő gáztűzhely vagy elektromos melegítő) nélküli helyiségben tárolja.
- Ne lyukassza ki, és ne égesse meg.
- Legyen tekintettel arra, hogy a hűtőközeg szagtalan is lehet.
- A készüléket olyan munkaterületű helyiségben kell beszerezni, használni és tárolni, mely megfelel az adagolt hűtőközeg mennyiségnek. A gázok típusára és mennyiségére vonatkozó tudnivalókért kérjük, tanulmányozza a készüléken lévő címkét.
- A berendezést 10 m² -nél nagyobb munkaterületű helyiségben kell beszerezni, használni és tárolni.
- Szükséges a gázokra vonatkozó nemzeti előírások tiszteletben tartása. Ne takarja le a készülék szellőző nyílásait.
- A készüléket úgy tárolja, hogy megelőzze a mechanikai meghibásodásokat.
- A berendezést jól szellőzött helyiségben kell tárolni, ahol a helyiség mérete megfelel a működéshez előírt területnek.
- A hűtőközeggel vagy a hűtőkörrel dolgozó bármely személynek rendelkeznie kell a tárgykörben illetékes tanúsítási hatóság által jóváhagyott bizonyítvánnyal, mely az adott területen elismert értékelési kritériumoknak megfelelően a hűtőközegek biztonságos körülmények közt történő kezelését engedélyező illetékességgel rendelkezik.
- A javításokat kizárólag a gyártó javaslatainak megfelelően kell végezni. Azokat a karbantartási és hibaelhárítási műveleteket, melyekhez szakember segítsége szükséges a gyúlékony hűtőközeg használatára szakosodott szakember felügyelete alatt kell elvégezni.
- A berendezést tárolja folytonos nyílt lángoktól (például: egy gázzal működő készülék) és tűzforrásoktól mentes (például: elektromos melegítő) helyiségben.



Figyelem: Tűz / gyúlékony anyagok veszélye!

A készüléken található szimbólumok magyarázata (csak az R32/R290 hűtőközegekre vonatkozóan):

	FIGYELMEZTETÉ S!	Ez a szimbólum azt jelzi, hogy a berendezés gyúlékony hűtőközeggel működik. Ha a kifolyt hűtőközeg szikraforrásnak van kitéve, tűzveszély keletkezik.
	FIGYELEM!	Ez a szimbólum azt jelenti, hogy a használati kézikönyvet figyelmesen el kell olvasni.
	FIGYELEM!	Ez a szimbólum azt jelöli, hogy a berendezést szakember kezelheti a beszerelési kézikönyv előírásainak tiszteletben tartásával.
	FIGYELEM!	Ez a szimbólum azt jelöli, hogy további tudnivalók állnak rendelkezésre a használati vagy a beszerelési kézikönyvben.

1. Az éghető hűtőközeget tartalmazó berendezések szállítása

Lásd a szállítási előírásokat.

2. A berendezés jelekkel való megjelölése

Ellenőrizze a helyi előírásokat.

3. Az éghető hűtőközeggel működő berendezések ártalmatlanítása

Konzultálja az országos szabályozásokat.

4. A berendezések/készülékek tárolása.

A berendezések tárolását a gyártó előírásainak megfelelően kell végezni

5. A becsomagolt (nem értékesített) berendezés tarolása.

A tarolási védőcsomagolást úgy kell felhelyezni, hogy az abban található berendezés mechanikai sérülése ne okozhassa a feltöltött hűtőközeg szivargását. Az egy helyiségben tarolható berendezések maximális számát a helyi szabályozás határozza meg.

6. A szervizelessel kapcsolatos információ

A. A terület ellenőrzése

Mielőtt elkezdene dolgozni az éghető hűtőközeget tartalmazó rendszeren, biztonsági ellenőrzéseket kell végeznie a gyulladás kockázatának minimalizálása érdekében. A hűtőrendszer javításakor a rendszeren végzett munka megkezdése előtt el kell végezni az alábbi óvintézkedéseket.

B. A munkavégzés folyamata

A munkát ellenőrzött körülmények között kell végezni annak érdekében, hogy a munkavégzés során a lehető legkevesebb éghető gáz vagy gőz legyen jelen.

C. Általános munkaterület

A karbantartást végző személyeket és a területen dolgozó más személyeket tájékoztatni kell az elvégezni kívánt munka jellegéről. A munkát nem szabad túlságosan szűk térben végezni. A munkavégzés körüli területet le kell választani. Az éghető anyagok ellenőrzésével gondoskodjon arról, hogy a területen belüli körülmények biztonságosak legyenek.

D. Hűtőközeg jelenlétének ellenőrzése

A területet a munkavégzés megkezdése előtt és közben megfelelő hűtőközegérzékelővel ellenőrizni kell annak érdekében, hogy a munkát végzőnek tudomása legyen a potenciálisan gyúlékony környezetről. Győződjön meg arról, hogy a használt szivárgásérzékelő berendezés megfelelő éghető hűtőközегhez való használatra, vagyis hogy megfelelő tömítés miatt vagy eredendően szikramentes.

E. Tűzoltó készülék jelenléte

Ha a hűtőberendezésen vagy bármely alkatrészén nagy hővel járó munkát kell végezni, kéznél kell lennie megfelelő tűzoltó készüléknek. A töltési terület mellett álljon száraz poros vagy CO₂-os tűzoltó készülék.

F. Gyújtóforrás hiánya

Ha a munkát olyan hűtőrendszeren kell végezni, amelyben jelenleg éghető hűtőközeget tartalmazó csővezeték is található, illetve korábban található volt, a munkát végző személy nem használhat gyújtóforrást olyan módon, hogy az esetleg tüzet vagy robbanást eredményezzen. Minden lehetséges gyújtóforrást (például égő cigaretta) megfelelően távol kell tartani az üzembe helyezés, a javítás, az eltávolítás vagy az ártalmatlanítás helyétől, ha annak során éghető hűtőközeg juthat a környező térbe. A munkavégzés

megkezdése előtt a berendezés körüli területet fel kell mérni, hogy ne álljon fenn égésveszély vagy gyulladás kockázata. Ki kell helyezni a „Tilos a dohányzás” táblát.

G. Szellőztetett terület

Mielőtt behatol a rendszerbe, vagy bármilyen, magas hőmérséklettel járó munkát végez, győződjön meg arról, hogy a terület nyitott vagy megfelelően szellőzik. A szellőztetés mértékét a munkavégzés során is fenn kell tartani. A szellőztetésnek biztonságosan el kell oszlatnia a kiszabadult hűtőközeget, és a legjobb, ha azt kijuttatja a légkörbe.

H. A hűtőberendezés ellenőrzése

Elektronikus alkatrészek cseréjekor azoknak meg kell felelniük a célnak és az adott specifikációnak. Minden esetben követni kell a gyártó karbantartási és szervizelési útmutatásait. Ha kétségei vannak, hívja segítségért a gyártó műszaki részlegét. Éghető hűtőközeget használó berendezés üzembe helyezésekor az alábbi ellenőrzéseket kell elvégezni:

A töltés mérete megfelel-e azon helyiség méretének, amelyben a hűtőközeget tartalmazó alkatrészeket üzembe helyezik.

A szellőztetőberendezés és annak kivezetései megfelelően működnek-e és nincsenek-e eltorlaszolva.

Ha közvetett hűtőkört használ, a másodlagos körben ellenőrizni kell, hogy nincs-e jelen hűtőközeg; A berendezés jelölése továbbra is látható és olvasható-e; A nem olvasható jelöléseket és jeleket javítani kell.

A hűtőcsövek és azok alkatrészei olyan pozícióban vannak-e telepítve, ahol valószínűleg nincsenek kitéve a hűtőközeget tartalmazó alkatrészeket korrodáló anyagnak, kivéve azokat az alkatrészeket, amelyek eredendően korrózióálló anyagból készültek vagy megfelelő korrózióvédelemmel vannak ellátva.

I. Az elektromos eszközök ellenőrzése

Az elektromos berendezések javítása és karbantartása előtt biztonsági ellenőrzéseket kell végezni, és meg kell vizsgálni az alkatrészeket. Ha a biztonságot érintő hiba tapasztalható, a tápellátást nem szabad csatlakoztatni a körhöz, amíg a hibát kielégítően el nem hárították. Ha a hiba nem javítható ki azonnal, de az üzemeltetést folytatni kell, megfelelő ideiglenes megoldást kell használni. Ezt jelenteni kell a berendezés tulajdonosának minden alkatrész megemlítésével.

A kezdeti biztonsági ellenőrzésnek az alábbiakra kell kiterjednie:

A kondenzátorok le vannak-e merülve: ezt a biztonság szem előtt tartásával, szikrázás lehetőségének elkerülésével kell ellenőrizni; A rendszer töltésekor, visszanyerésekor és ürítésekor nincs-e szabadon lévő, áram alatt lévő elektromos alkatrész vagy vezeték; A földkötés folytonos-e.

J. A zárt alkatrészek javítása

1) A zárt alkatrészek javításakor a berendezés zárt tápellátásának leválasztása előtt a szervizelés során le kell választani a javítani kívánt berendezés minden elektromos csatlakozását, majd a legkritikusabb ponton ideiglenes szivárgásérzékelést kell végezni a potenciálisan veszélyes helyzetek felismerése érdekében.

2) Az alábbiakra különösen nagy figyelmet kell fordítani az elektromos alkatrészekben való munkavégzéskor. A ház nincs-e a védelmi szintet érintő módon módosítva. Ide tartozik a kábelek sérülése, a csatlakozások túl nagy száma, nem az eredeti specifikációnak megfelelő csatlakozók, a tömítések sérülése, a tömszelence helytelen elhelyezése stb. Győződjön meg arról, hogy a berendezés megfelelően van-e rögzítve. Ellenőrizze, hogy a tömítések vagy a tömítőanyagok nem roncsolódtak-e olyan mértékben, hogy már nem tudják megakadályozni a gyúlékony anyagok bejutását. A cserealkatrészeknek meg kell felelniük a gyártó specifikációjának.

Megjegyzés: A szilikontömítés csökkentheti bizonyos típusú szivárgásérzékelő berendezések hatékonyságát.

Az eredendően biztonságos alkatrészeket nem kell szigetelni a munkavégzés előtt.

K. Az eredendően biztonságos alkatrészek javítása

A körre csak akkor alkalmazzon folyamatos induktív vagy kapacitásterhelést, ha meggyőződött arról, hogy az nem haladja meg a használt berendezés esetében engedélyezett feszültséget és áramerősséget. Az eredendően biztonságos alkatrész típus az egyetlen, amelyen működés közben, éghető környezet jelenlétében munkát végezhet. A tesztberendezésnek a megfelelő minősítéssel kell rendelkeznie. Csak a gyártó által ajánlott cserealkatrészeket használja. Az ettől eltérő alkatrészek használata esetén a szivárgás következtében a hűtőközeg a légkörben meggyulladhat.

L. Kábelezés

Ellenőrizze, hogy a kábelek nem lesznek-e kitéve kopásnak, korrózióknak, túl nagy nyomásnak, rázkódásnak, éles széléknek vagy bármilyen más kedvezőtlen környezeti hatásnak. Az ellenőrzésnek figyelembe kell vennie az idő múlásának hatásait és például a kompresszorból vagy a ventilátorból eredő folyamatos rázkódást.

M. Az éghető hűtőközegek érzékelése

A hűtőközeg szivárgásának kereséséhez és érzékeléséhez semmilyen körülmények között nem használható potenciális gyújtóforrás. Nem használható halidlámpa (vagy bármilyen más, nyílt lángot használó érzékelő).

N. A szivárgás érzékelési módjai

Az alábbi szivárgásérzékelési módszerek elfogadottnak tekinthetők éghető hűtőközeget tartalmazó rendszerek esetében: Az éghető hűtőközegek érzékeléséhez elektronikus szivárgásérzékelőt kell használni, de előfordulhat, hogy annak érzékenysége nem megfelelő vagy újrakalibrálást igényel (az érzékelőberendezést hűtőközegmentes helyen kell kalibrálni). Győződjön meg arról, hogy az érzékelő nem potenciális gyújtóforrás, és megfelelő a használt hűtőközeghez. A szivárgásérzékelő berendezést a hűtőközeg alsó tűzveszélyességi szintje értékének százalékában kell beállítani, kalibrálni kell a használt hűtőközegre, és meg kell erősíteni a gáz megfelelő százalékos értékét (legfeljebb 25%). A szivárgásérzékelő folyadékok a legtöbb hűtőközeghez használhatók, de a klórtartalmú tisztítószeres használatát kerülni kell, mert a klór reakcióba léphet a hűtőközeggel, és korrodálhatja a réz csővezetékeket. Ha szivárgást talál, minden nyílt lángot el kell távolítani vagy el kell oltani.

Ha olyan hűtőközeg-szivárgást talál, amely forrasztást tesz szükségessé, az összes hűtőközeget el kell távolítani a rendszerből, vagy lezárószelepekkel el kell szigetelni azt a rendszer szivárgástól távoli helyén.

Ezután oxigénmentes nitrogénnel át kell oblitálni a rendszert a forrasztás előtt és közben is.

O. Eltávolítás és kiürítés

Amikor javítás céljából - vagy bármilyen más célból - behatol a hűtőkörbe, a hagyományos eljárásokat kell alkalmaznia. Fontos azonban, hogy a legjobb gyakorlatot kövesse, mert a gyulekonyságra ügyelni kell. Az alábbi eljárást kell követni:

Hűtőközeg eltávolítása; A kör átöblítése inert gázzal; Kiürítés; Ismételt átöblítés inert gázzal; A kör megnyitása vágással vagy forrasztással.

A feltöltött hűtőközeget a megfelelő visszanyerő hengerekbe kell áttölteni. A rendszert ezután „át kell oblitálni” oxigénmentes nitrogénnel a berendezés biztonsága érdekében.

Előfordulhat, hogy az eljárást többször meg kell ismételni. A munkához nem használhat sűrített levegőt vagy oxigént. Az átöblítéshez a feltöltést addig kell végezni, amíg el nem éri a munkavégzési nyomást, ezután ki kell engedni a környezetbe, végül le kell engedni vákuumig. Ezt az eljárást addig kell ismételni, amíg már nincs több hűtőközeg a rendszerben. A végső feltöltéskor a munkavégzéshez a rendszert a légköri nyomás eléréséig kell szellőztetni. Ez a művelet elengedhetetlen, ha a csővezetékeken forrasztást kell végezni. Győződjön meg arról, hogy a vákuumpumpa kivezetése nincs gyújtóforrás közelében, és a rendszerben vákuum van oxigénmentes nitrogénnel és folyamatos szellőzéssel.

P. Feltöltési eljárások

A hagyományos feltöltési eljárások mellett az alábbiaknak is meg kell felelni: Győződjön meg arról, hogy a feltöltőberendezés használatakor a különböző hűtőközegek nem szennyezik egymást. A tömlőknek vagy vezetéknek a lehető legrövidebbnek kell lenniük a bennük lévő hűtőközeg mennyiségének minimalizálása érdekében.

A hengereket függőlegesen kell tartani.

Mielőtt a rendszert feltölti hűtőközeggel, ellenőrizze, hogy a hűtőrendszer földelve van-e. Amikor a feltöltés kész, címkézze fel a rendszert (ha még nem tette meg).

Rendkívüli gondossággal járjon el, hogy ne töltse túl a hűtőrendszert. A rendszert az újratöltés előtt oxigénmentes nitrogénnel nyomástartásnak kell alávetni. A rendszeren a feltöltés befejezése után, de az üzembe helyezés előtt szivárgási tesztet kell végezni. A helyszín elhagyása előtt ismét ellenőrizni kell a szivárgást.

Q. Leszerelés

a) A művelet végrehajtásához elengedhetetlenül fontos, hogy a technikus teljesen ismerje a berendezést annak minden részletével együtt. Javasolt bevált gyakorlat az összes hűtőközeg biztonságos visszanyerése. A feladat elvégzése előtt olaj- és hűtőközegmintát kell venni arra az esetre, ha a visszanyert hűtőközeg újrafelhasználása előtt elemzést kellene végezni. A feladat megkezdéséhez elengedhetetlenül fontos elektromos áram.

Ismerje meg a berendezést és annak működését. b. A rendszert elektromosan szigetelje el. c) A művelet előtt győződjön meg az alábbiakról: A mechanikai kezelőberendezés rendelkezésre áll a hűtőközeghengerek kezeléséhez, ha szükséges; Rendelkezésre áll minden személyi védőfelszerelés és azokat megfelelően használják; A visszanyerési folyamatot egy hozzáértő személy folyamatosan felügyeli; A visszanyerő berendezés és a hengerek megfelelnek a vonatkozó szabványoknak. d) Ha lehetséges, szivattyúzza le a hűtőrendszert. e) Ha a vákuum elérése nem lehetséges, alkalmazzon elosztót, hogy a hűtőközeg a rendszer több részén is eltávolítható legyen. f) A visszanyerés előtt győződjön meg arról, hogy a henger a merlegen található. g) Indítsa el a visszanyerő berendezést, és működtesse azt a gyártó utasításainak megfelelően. h) A hengereket ne töltsen túl. i) Ideiglenesen se haladjon meg a henger maximális munkanyomását. j) Ha a hengereket megfelelően feltöltötte, és a folyamat befejeződött, a hengereket és a berendezést azonnal távolítsa el a helyszínről, és zárja el a berendezés összes elszigetelő szelepet. k) A visszanyert hűtőközeg csak akkor tolható fel másik hűtőrendszerbe, ha azt előzőleg megtisztítja és ellenőrzi.

R. Címkézés

A berendezésen el kell helyezni egy címkét, amelyen szerepel, hogy azt leszerelték és a hűtőközeget kiürítették. A címkét dátummal kell ellátni és alá kell írni. Győződjön meg arról, hogy a berendezésen címkék vannak azzal az információval, hogy a berendezés éghető hűtőközeget tartalmaz.

S. Visszanyerés

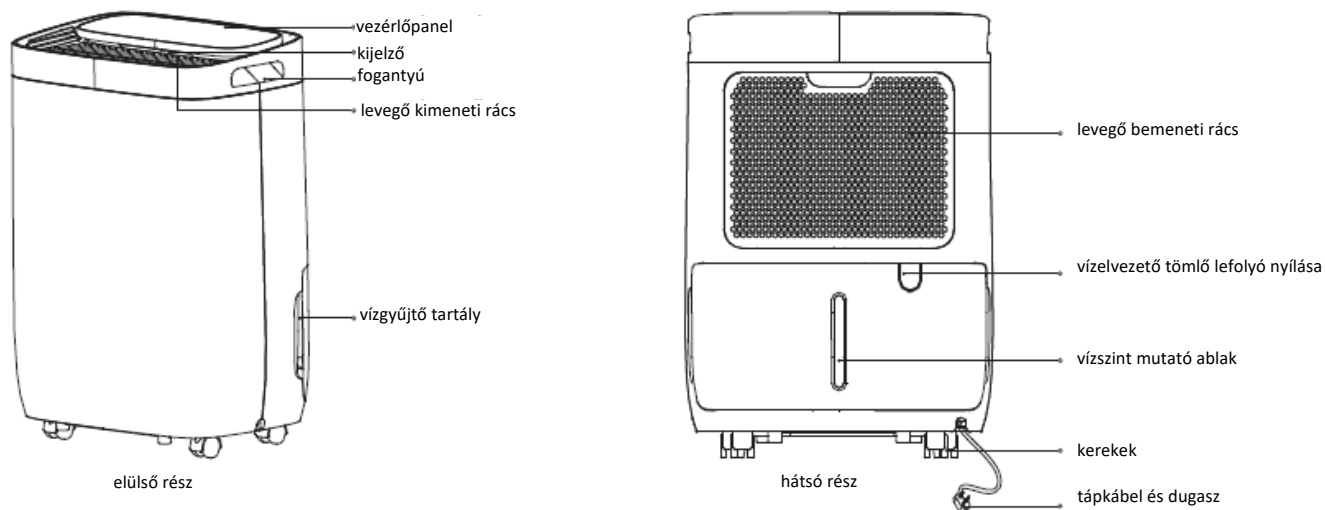
Amikor a hűtőközeget szervizelés vagy leszerelés miatt eltávolítja a rendszerből, javasolt bevált gyakorlat, hogy az összes hűtőközeget biztonságosan távolítsa el. A hűtőközeg hengerekbe való áthelyezésekor ügyeljen arra, hogy csak a megfelelő hűtőközeg-visszanyerési hengereket használja. Győződjön meg arról, hogy a rendszer teljes feltöltött hűtőközeg-mennyiségének megfelelő számú henger áll rendelkezésre. Minden használandó henger ki van jelölve a visszanyert hűtőközeghez, és szerepel rajta a hűtőközeg címkéje (vagyis speciális hengerek állnak rendelkezésre a hűtőközeg visszanyeréséhez). A hengereket el kell látni nyomáscsökkentő szeleppel és kapcsolódó lezárószeleppel megfelelő munkavégzési sorrendben. Az üres visszanyerő hengerek ki vannak ürítve, és ha lehetséges, le vannak hűtve a visszanyerés előtt. A visszanyerő berendezésnek jó munkavégzési állapotban kell lennie a berendezésre vonatkozó utasítások betartásával (amelynek kéznél kell lennie), és alkalmasnak kell lennie éghető hűtőközegek visszanyerésére.

Rendelkezésre kell állniuk továbbá kalibrált súlymérlegeknek, és azoknak jó állapotban kell lenniük. A tömlőknek szivárgásmentes leválasztócsatlakozóval kell rendelkezniük és jó állapotúnak kell lenniük. A visszanyerőberendezés használata előtt ellenőrizze, hogy annak állapota kielégítő-e, megfelelően karban volt-e tartva, és hogy minden kapcsolódó elektromos alkatrész el van-e zárva annak érdekében, hogy hűtőközeg kiszabadulása esetén ne történhessen gyulladás.

Ha kétségei vannak, kérje a gyártó segítségét. A visszanyert hűtőközeget a megfelelő visszanyerő hengerben vissza kell juttatni a beszállítónak, és ki kell tölteni a megfelelő hulladékszállítási nyomtatványt. A hűtőközeget ne keverje a visszanyerő egységekben, különösen ne a hengerekben. Ha kompresszort vagy kompresszorolajat kell eltávolítani, ügyeljen arra, hogy azt elfogadható mértékben ürítse ki, így biztosítva, hogy a kenőanyagban ne maradhasson éghető hűtőközeg. A kiürítést a kompresszor beszállítónak történő visszajuttatása előtt kell elvégezni. A folyamat csak a kompresszortest elektromos melegítésével gyorsítható fel. Amikor egy rendszerből olajat ereszt le, azt biztonságosan végezze.

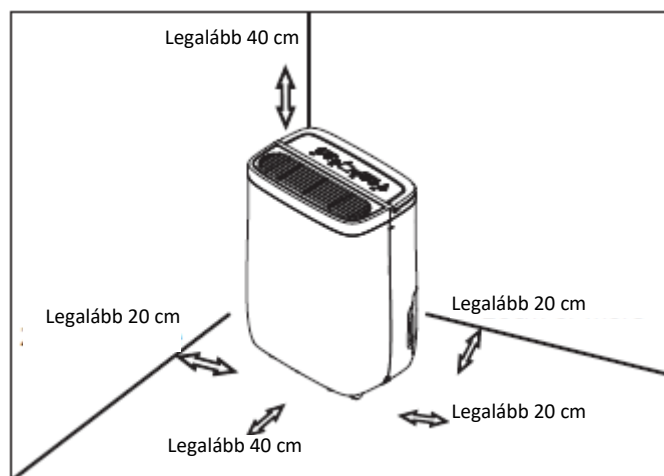
3. ELŐKÉSZÍTÉS

Az alkatrészek azonosítása



Termékeink optimális teljesítményének biztosítása érdekében a készülék tervezési specifikációi előzetes értesítés nélkül módosíthatók.

A készülék elhelyezése



Görgők (négy pontban rögzítve a készülék aljához)

- A görgők szabadon mozoghatnak.
- Ne erőltesse a görgőket a készüléknek a padlószőnyegen való elmozdítása során, illetve ne mozgassa a berendezést, amikor annak víztartálya tele van (a készülék felborulhat, a benne összegyűlt víz kiömlhet).

Egy, a pincében vagy alagsorban működtetett páramentesítő nagyon kicsi szárítási hatékonysággal képes működni (vagy egyáltalán nem lesz szárító hatása egy a tároló helyiségben - kamrában), hacsak nem biztosított a helyiség megfelelő szellőztetése.

- Ne használja a készüléket szabadtéren.
- A páramentesítő kizárólag háztartásban, beltéri használatra lett tervezve. Ebből kifolyólag a készülék kereskedelmi vagy ipari célokra történő felhasználása nem javasolt.

- A készüléket olyan szilárd, vízszintes, jó teherbíró képességgel rendelkező padlón helyezze el, amely elbírja a teli víztartály és a páramentesítő együttes súlyát is.
- Hagyjon legalább 20 cm szabad távolságot a készülék mindenik oldalán, a megfelelő légáramlás biztosítása érdekében (hagyjon legalább 40 cm helyet a légkivezető nyílás előtt).
- A készüléket olyan helyre tegye, ahol a hőmérséklet soha nem esik 5 °C (41 °F) alá. 5 °C (41 F) alatti hőmérsékleten a hőcserélő jegesedhet, ami csökkenti a készülék teljesítményét.
- A készüléket ruhaszárítótól, fűtőtesttől, radiátortól vagy egyéb hőforrásoktól távol helyezze el.
- A készülék rendeltetése, hogy megelőzze a nedvesség által okozott károk keletkezését olyan helyeken, ahol könyvek vagy más értékek tárolása történik.
- A páramentesítő pincében és alagsorban is használható a nedvesség okozta károk megelőzésére.
- A maximális hatékonyság érdekében a készüléket zárt térben működtesse.
- Csukja be az ajtókat, ablakokat és a helyiség egyéb nyílásait.

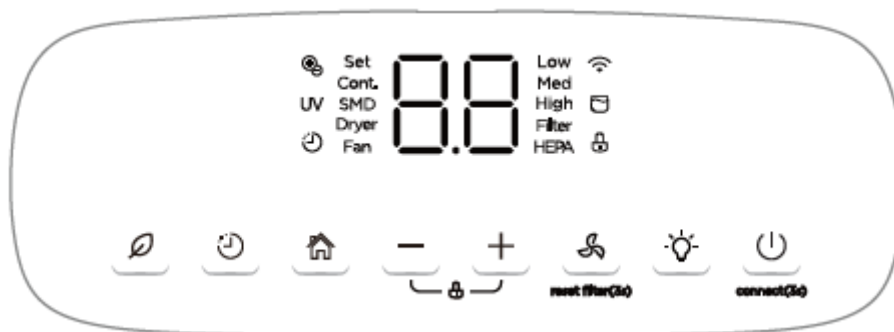
A készülék használata

- Mielőtt először használná a páratlanítót „Folyamatos páratlanítás” üzemmódban, győződjön meg arról, hogy a tömlő és a kivezetés közötti csatlakozás megfelelően van-e kialakítva, és nem enged-e a víz szivárgását.
 - Ezt a készüléket 5°C/41°F és 32°C/90 °F közötti hőmérsékletű környezetben és 30% RH (relatív páratartalom) és 80% RH (relatív páratartalom) közötti tartományban történő működésre tervezték.
 - Ha a készüléket kikapcsolták, de időközben szükségessé válik ismételt bekapcsolása, várjon körülbelül három percet annak újbóli bekapcsolása előtt, a megfelelő működés biztosítása érdekében.
 - A készülék hálózathoz történő csatlakoztatása során ne használjon olyan elosztót, amelyhez más elektromos készülékek is csatlakoznak.
 - Gondosan válassza meg a megfelelő helyet, és ügyeljen rá, hogy a készülék számára onnan könnyen elérhető legyen az elektromos aljzat.
 - A készüléket csak földelt elektromos aljzatba csatlakoztassa.
 - Ellenőrizze, a víztartály stabil helyzetét, ellenkező esetben ugyanis a készülék nem fog megfelelően működni.
- Megjegyzés: ha a tartályban lévő víz mennyisége elért egy bizonyos szintet, ügyeljen rá, hogy az ne csorogjon ki.

4. HASZNÁLATI UTASÍTÁS

A kezelőtábla tulajdonságai

Megjegyzés: az alábbi vezérlőpanel ábra csak tájékoztató jellegű. A valódi forma a referencia értékű. A vásárolt modell szerint, a kezelőtábla kissé eltérő lehet. Előfordulhat, hogy az Ön által vásárolt készülék nincs egyes kijelzőkkel vagy gombokkal ellátva. A valódi forma referencia értékű.



Kijelző	Funkció	Kijelző	Funkció	Kijelző	Funkció
	Időzítő gomb/jelzőfény		Ventilátor sebesség gomb		Páratartalom fényes szintjelző gomb
	Üzem mód kiválasztó gomb		„FRESH” funkciógomb		A víztartály telítettségének jelzője
	Bekapcsológomb		„Fel” és „Le” gombok	UV	UV fény (ehhez a modellhez nem kapható)
	Zár jelzőfény		Vezeték nélküli funkciójelző		„FRESH” funkciójelző

Bekapcsológomb

Nyomja meg a páramentesítő ki- vagy bekapcsolásához.

Üzem mód kiválasztó gomb

- Nyomja meg ezt a gombot a kívánt üzemmód kiválasztásához: párátlánítási szint beállítási mód, szárítási mód, intelligens párátlánítási mód, folyamatos párátlánítási mód és ventilátor üzemmód (bizonyos modelleknél).
- A párátlánítási szint beállításának üzemmódjában a „Set” (Beállítás) jelzőfény világít.

Megjegyzés: Folyamatos párátlánítási módban, szárítási módban és intelligens párátlánítási módban a párátlánítási szint nem állítható.

Ventilátor üzemmódban a párátlánítási funkció nem aktív.

Szerelje be a HEPA-szűrőt (nagy hatékonyságú részecskeszűrő); a gép nem tudja beállítani az üzemmódot, és a HEPA-kijelző világít.

Az időzítő funkció nyomógomb

- Nyomja meg a „+” és a „-” gombokkal együtt az automatikus indítás és az automatikus kikapcsolás funkciók kiválasztásához. Bekapcsolt készülék esetén, az automatikus kikapcsolás érdekében nyomja meg ezt a gombot. Kikapcsolt készülék esetén, az automatikus bekapcsolás érdekében nyomja meg ezt a gombot.
- Az időzítés intervallumának az automatikus bekapcsolásig történő megváltoztatása érdekében nyomja meg röviden vagy hosszan a „+” vagy „-” gombokat, az idő először 0,5 órás lépésekben változik (egészen a 10 órás időtartamig), majd 1 órás lépésekben (egészen a 24 órás időtartamig).
- A készülék vezérlőegysége visszaszámlálja az indításig hátralévő időtartamot.
- A beállított idő 5 másodperc elteltével elmentésre kerül, a kijelzőn pedig ismét a beállított nedvességtartalom lesz látható.
- A készülék be- vagy kikapcsolása, illetve az időzítés 0.0 értékre történő állítása esetén kikapcsol az automatikus indítás/leállítás funkció.
- Ugyanakkor, ha a kijelzőn a P2 kód jelenik meg, az automatikus indítás/leállítás funkció is visszavonásra kerül.

„Fel” (+) és „Le” (-) gombok

- A páratartalom szintjének beállításához
A páratartalom 35% RH (relatív páratartalom) és 85% RH (relatív páratartalom) értékek között állítható be, fokozatonként 5%-os lépésekben. Alacsonyabb páratartalmú levegő előállítása érdekében nyomja le a „-” gombot, és állítson be egy alacsonyabb százalékos (%) értéket. Magasabb páratartalmú levegő előállítása érdekében nyomja le a „+” gombot, és állítson be egy magasabb százalékos (%) értéket.
- Az időzítő beállítása
Az automatikus bekapcsolás illetve az automatikus kikapcsolás 0 és 24 óra közti beállításához használja a „+” és a „-” gombokat.

Gomb a ventilátorhoz

- Ezzel a gombbal beállíthatja a ventilátor sebességét. Nyomja meg a gombot a ventilátorfokozat kiválasztása érdekében: alacsony, közepes, magas. A fényjelzők a ventilátor fokozatnak megfelelően gyulladnak ki.
- Tartsa lenyomva a ventilátor gombot 3 másodpercig a szűrő emlékeztető törléséhez, amikor a szűrő jelzőfénye villog (egyes modelleknél).

Megjegyzés: 250 üzemóra után a szűrőtisztításra emlékeztető funkció aktiválódik.

Gomb a vezeték nélküli funkcióhoz

- Nyomja meg és tartsa lenyomva a bekapcsológombot 3 másodpercig a vezeték nélküli kapcsolat üzemmód aktiválásához. A LED-kijelzőn az "AP" jelzi, hogy a vezeték nélküli kapcsolat beállítható.
- Ha a kapcsolat 8 percen belül létrejön, a készülék automatikusan kikapcsolja a vezeték nélküli kapcsolat üzemmódot, a vezeték nélküli funkció jelzője kigyullad, és a készülék aktiválja az előző funkciót. Ha a kapcsolat 8 percen belül nem jön létre, a készülék automatikusan kikapcsolja a vezeték nélküli kapcsolat üzemmódot.

Megjegyzés: Amikor a készülék csatlakozik az internethez, a jelzőfény fehéren villog.


A „FRESH” funkció gombja

Nyomja meg a „FRESH” gombot a „FRESH” funkció aktiválásához, és a funkció jelzőfénye kigyullad. A „FRESH” jelzőfény és az UV jelzőfény egyes modelleknél egyszerre világít. Más modelleknél csak az UV-jelzőfény világít. Az ionizátor és az UV funkció segít megtisztítani a szoba levegőjét. A „FRESH” funkció kikapcsolásához nyomja meg újra a „FRESH” gombot, és a funkció jelzőfénye kialszik.

Zár funkció

- Tartsa lenyomva a Fel (+) és a Le (-) gombot 3 másodpercig a gombok zárolási funkciójának aktiválásához. A zár funkció jelzőfénye kigyullad. Minden aktuális beállítás zárolva van, és a vezérlőpanel csak a zárolási funkció kikapcsolására használható.
- A zár funkció kikapcsolásához tartsa lenyomva ezt a két gombot.

Jelzőfény gomb a páratartalom szintjéhez

- Nyomja meg a  gombot a kijelző be- vagy kikapcsolásához.
- Ha a páratartalom meghaladja a 65%-ot, a jelzőfény pirosra vált.
- Ha a páratartalom 45% és 65% között van, a jelzőfény zöldre vált.
- Ha a páratartalom 45% alatt van, a jelzőfény sárgára vált.

Megjegyzés: Amikor a vízgyűjtő tartály telítettségének jelzőfénye vagy a szűrőtisztítás jelzőfénye világít, a nedvességszint jelzőfény narancssárgára vált, és 4 másodpercenként 1 másodpercre kialszik.

Kijelző

A kijelzőn látható a beállított, %-ban megadott nedvességtartalom, 35% és 85% között, az automatikus be- / kikapcsolásig (0-24 óra) fennmaradó idő, illetve a helyiség aktuális nedvességtartalma ($\pm 5\%$ pontossággal), 30% RH (relatív nedvességtartalom) és 90% RH (relatív nedvességtartalom) között.

Hibakódok

EH60 - A nedvességszenzor hibája. Húzza ki a készülék dugaszát az aljzatból, majd csatlakoztassa újra. Ha a hiba ismét jelentkezik, forduljon a szervizhez.

EH61 - A párologtató hőmérséklet-érzékelőjének hibája. Húzza ki a készüléket a tápegységből, majd csatlakoztassa újra. Ha a hiba ismét jelentkezik, forduljon a szervizhez.

EH02 - Alacsony hőmérséklet érzékelési hiba. Ha a hiba ismét jelentkezik, forduljon a szervizhez.

EH03 - A ventilátor fordulatszámának hibája. Ha a hiba ismét jelentkezik, forduljon a szervizhez.

EH0b - Kommunikációs hiba a belső PCB és a kijelzőlap között. Ha a hiba ismét jelentkezik, forduljon a szervizhez.

Védelmi kód:

P2 - A vízgyűjtő edény megtelt vagy nincs megfelelően a helyére állítva. Ürítse ki az edényt és helyezze is vissza a megfelelő módon. Egyes modelleknél világít a gyűjtőtartály feltöltésének jelzője.

Megjegyzés: Valamely fenti meghibásodás előfordulása esetén győződjön meg, hogy a készülék működését nem akadályozza valamely ok, és küszöbölje ki azokat.

Kapcsolja be újra a készüléket. Amennyiben a hiba továbbra is fennáll, kapcsolja ki a készüléket, és húzza ki a dugaszt a tápforrásból.

Kérjen műszaki segítséget.

További funkciók

A vízgyűjtő tartály telítettségének kijelzője

Ez a kijelző akkor gyullad ki, ha a víztartály megtelt és ürítésre kész állapotban van, ki van véve vagy az eltávolítást követően nem a megfelelő helyzetbe helyezték vissza.

Automatikus leolvasztás

Ha a hőcserélőn jégréteg képződik, a kompresszor automatikusan kikapcsol és a ventilátor mindaddig működik, amíg a jég el nem tűnik.

Automatikus kikapcsolás

- A páramentesítő automatikusan kikapcsol, ha a víztartály megtelt, ki van véve, vagy ha az eltávolítást követően nem a megfelelő helyzetbe helyezték vissza.
- Bizonyos modellek esetében a ventilátor motorja 30 másodpercig továbbra is működésben marad.

„FRESH” funkciójelző

Egyes modellekben az ionizátor bekapcsol, és segít megtisztítani a szoba levegőjét.

3 perces indítás-késleltetési védőfunkció

A készülék működésének leállása után 3 percig nem indítható újra. Ez a készülék védelme miatt van. A működés 3 perc elteltével automatikusan újraindul.

Automatikus újraindítás

Ha a készülék működése áramszünet miatt automatikusan megszakad, az áram-ellátás helyreállítását követően automatikusan újraindul, az áramkimaradás előtti beállításokkal.

Folyamatos párátlanítási funkció

Ha a folyamatos párátlanítás funkció be van kapcsolva, a párátlanító folyamatosan működik anélkül, hogy a páratartalom szintje kiválasztható lenne. Nyomja meg az üzemmód kiválasztó gombot a folyamatos párátlanítás funkció kikapcsolásához.

Okos páramentesítés üzemmód

Ebben az üzemmódban a készülék automatikusan kontrollálja a helyiség nedvességtartalmát, 45%~55% közötti tartományban, a helyiség hőmérsékletének függvényében. Ilyenkor a nedvesség-tartalom beállítása funkció ki van kapcsolva.

A páratlanítási szint beállításának módja

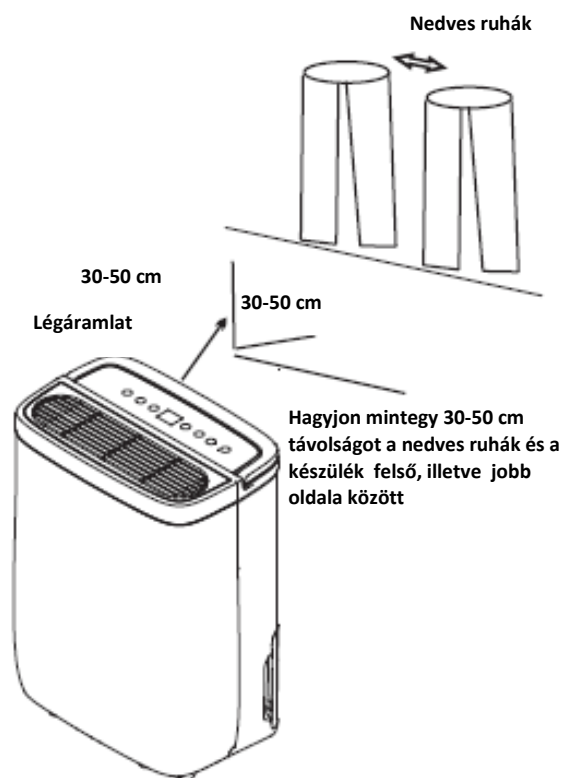
A páratlanítási szint beállítására szolgáló üzemmódban a készülék 35% és 85% közötti tartományban állítható be, és a páratartalom értéke 5%-os lépésekben állítható (növelhető vagy csökkenthető). Nyomja meg az üzemmód kiválasztó gombot a páratlanítási szint beállítására szolgáló üzemmód kikapcsolásához.

Szárítás üzemmód

A készülék ebben az üzemmódban képes a maximális mértékű páramentesítésre. A ventilátor sebessége nem állítható.

Megjegyzés:

1. A szárítás üzemmód (a modell függvényében) bekapcsolása esetén a helyiségnek zártnak kell lennie, nem lehet nyitva sem ablak, sem ajtó.
2. A hatékony páramentesítés érdekében először csavarja ki a vizes ruhákat.
3. Győződjön meg róla, hogy a levegőáram a vizes ruhák felé irányul.
4. Vastag és nehéz nedves ruhadarabok esetében a páratlanítás nem lesz a leghatékonyabb.

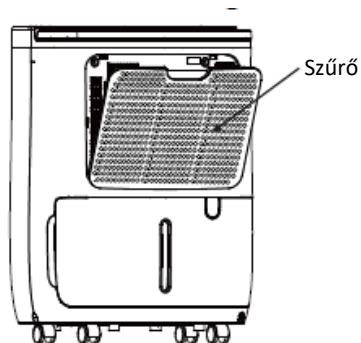


Szűrő/HEPA jelző

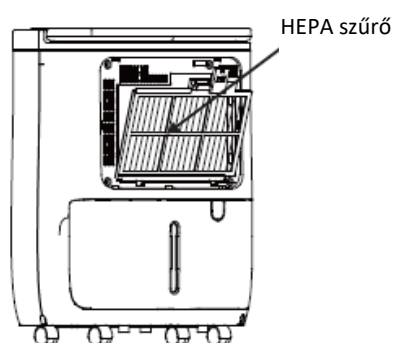
A szűrőellenőrzés funkció emlékeztet a légszűrő cseréjére a hatékonyabb működés érdekében. A szűrő jelzőfénye (HEPA-jelző) 250 óra működés után villogni kezd. A szűrő tisztítása utáni visszaállításhoz nyomja meg és tartsa lenyomva a "Ventilátor" gombot 3 másodpercig, és a jelzőfény kialszik.

HEPA szűrő

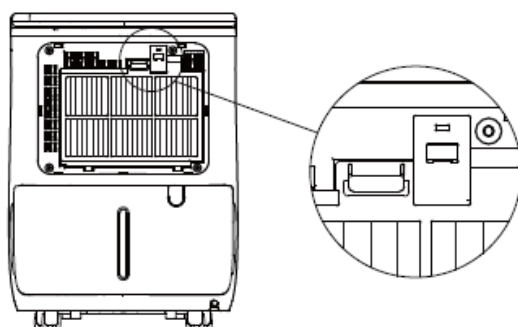
- Szerelje be a HEPA-szűrőt (nagy hatékonyságú részecskeszűrő); a készülék csak „ventilátor” üzemmódban fog működni, és a HEPA-kijelző világitani fog.
- Ügyeljen arra, hogy a HEPA-szűrőt az alábbi ábráknak megfelelően szerelje fel.



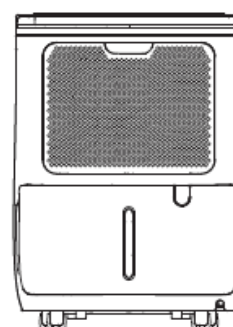
1. ábra. Vegye le a szűrőt



2. ábra. Helyezze be a HEPA-szűrő alsó részét a gépbe



3. ábra. Csatlakoztassa a tetejét az ábrán látható módon



4. ábra. Szerelje fel a szűrőt

Az összegyűlt víz eltávolítása

Az összegyűlt víz eltávolítása kétféle módon történhet.

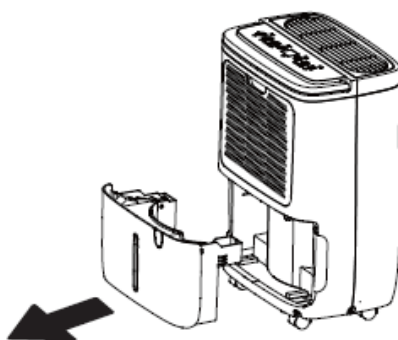
A. A tartály használata

- Ha a vízgyűjtő tartály megtelt, a gép automatikusan kikapcsol, és a tartály telítettségének jelzőfénye villog.
- Lassan húzza ki a tartályt. Ezután tartsa erősen a bal és jobb oldali füleket és óvatosan húzza ki egyenesen tartva azt, hogy a víz ne csorduljon ki. Ne tegye a tartályt a padlóra, mert annak alja egyenetlen. Ellenkező esetben tartály felborulhat és kifolyhat a víz.
- Öntse ki a vizet a vízkivezetésen keresztül, és tegye vissza a tartályt. Ügyeljen rá, hogy a tartály megfelelően helyezkedjen el, mert a készülék csak így fog működni. A készülék akkor kapcsol be ismét, ha az edényt megfelelően helyezték vissza.

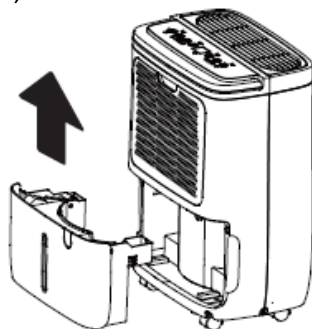
Megjegyzés:

- A tartály eltávolítása során ne érintse meg a készülék belsejében lévő alkatrészeket. Ennek figyelmen kívül hagyása károkat okozhat a berendezésben.
- Figyeljen, hogy a tartályt óvatosan és teljesen tolja be a helyére. Ha a tartály akadályba ütközik, vagy ha nem tolja be teljesen, a készülék nem fog működni.
- Ha a tartály eltávolításakor vizet észlel a készülékben, azt ki kell törölni.

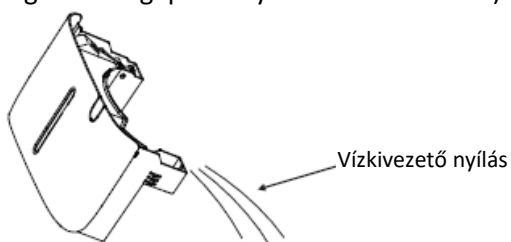
1. Húzza ki lassan a tartályt.



2. Fogja meg a tartály mindkét fogantyúját, és húzza ki azt a készülékből.



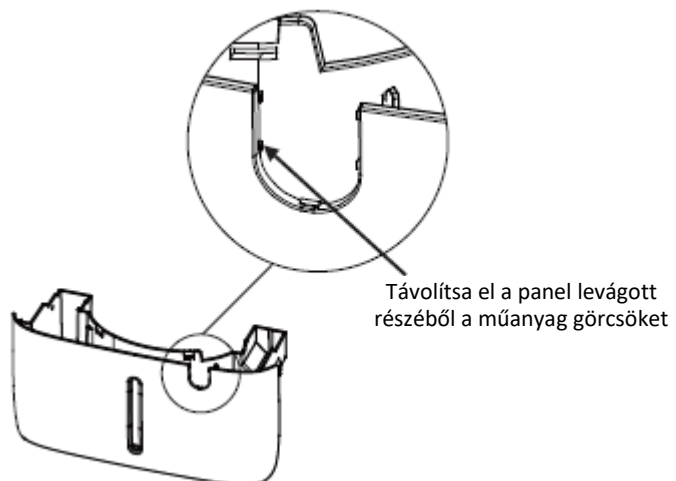
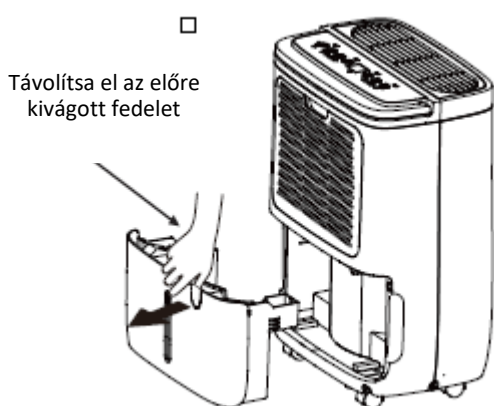
3. Öntse ki a vizet a tartályból (a megvásárolt gép tartálya kissé eltérő lehet).



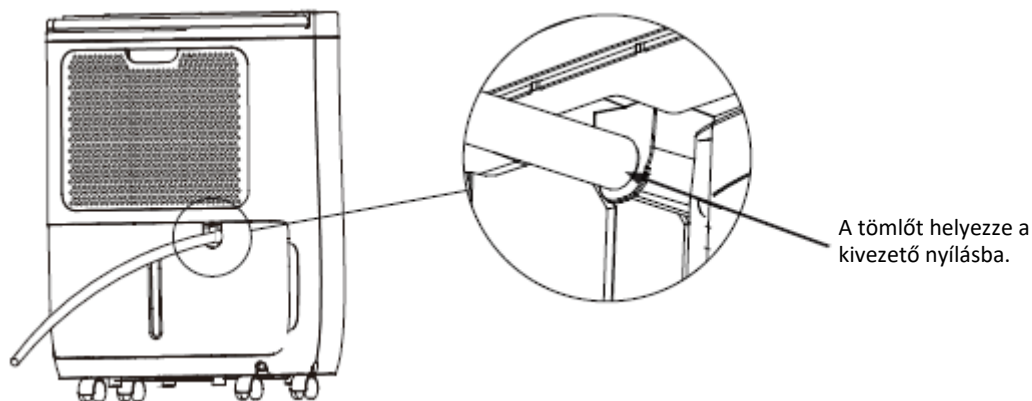
B. Folyamatos szivárgás

A víz automatikusan lefolyik a padlívízvezetőbe egy ϕ 16,5x 13,5 mm-es tömlő segítségével (nem tartozék).

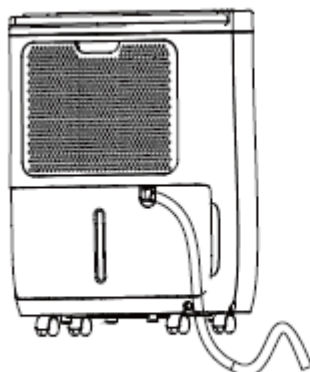
- Távolítsa el az előre kivágott műanyag fedelet a tartály tetejéről.



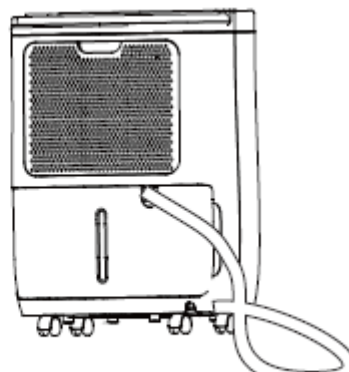
- Csatlakoztassa a tömlőt a készülék hátsó részén található vízkivezető nyíláshoz.
- Győződjön meg arról, hogy a tömlőt megfelelően csatlakoztatta a vízkivezető nyíláshoz, és nem teszi lehetővé a víz kifolyását.



- Majd a tömlőt vezesse a padló lefolyóba vagy egy hasonló kifolyórendszerbe. A kifolyórendszer szintjének alacsonyabban kell elhelyezkednie a készülék vízkivezető nyílásánál. Bizonyosodjon meg arról, hogy a tömlő dőlésszöge megfelelő, így lehetővé válik a víz nehézség nélküli kifolyása. Bizonyosodjon meg, hogy a kivezető tömlő nincs meghajlítva.



Ne akadályozza meg a vízkivezetést a tömlő megemelésével.



Ne akadályozza meg a vízkivezetést a tömlő megemelésével.

- Győződjön meg róla, hogy a vízkivezető tömlő a lefolyó nyílás alatt található.

Megjegyzés:

- Ha nem használja a folyamatos vízkivezetést, távolítsa el a tömlőt a vízkivezető nyílásból.
- Használjon csípőfogót, ha a műanyag fedelet kézzel nem lehet eltávolítani.
- A lefolyótömlő csatlakoztatásakor a műanyag kimarások megsebezhetik a kezét. Egy fúrófej vagy éles szerszám segítségével távolítsa el a panel vágott részéből a kimarásokat.

5. TISZTÍTÁS ÉS KARBANTARTÁS

Kapcsolja ki a páramentesítőt és húzza ki a dugaszt az aljzatból a tisztítási műveletek elvégzése előtt.

Tisztítsa meg a rácsot és a készülék burkolatát

- Használjon vizet és kímélő tisztítószeret. Ne használjon fehérítőt vagy dörzshatású tisztítószereket.
- Vigyázzon, hogy a készülék belsejébe ne kerülhessen víz. Ellenkező esetben áramütés következhet be, megsérülhet a szigetelés vagy rozsdá képződhet.
- A levegő bemeneti és kimeneti nyílások könnyen szennyeződnek – tisztítsa ezért őket porszívó vagy kefe segítségével.

A tartály tisztítása

Néhány hetente tisztítsa meg a tartályt, így akadályozván a penész képződését és baktériumok elszaporodását. Töltsön tiszta vizet és kevés kémélő tisztítószer a tartályba. Tisztítsa meg, ürítse ki belőle a vizet, majd öblítse ki.

Megjegyzés: A tartályt ne tisztítsa mosogatógépben. A tisztítást követően illessze a tartályt gondosan vissza a helyére, ellenkező esetben a készülék nem fog működni.

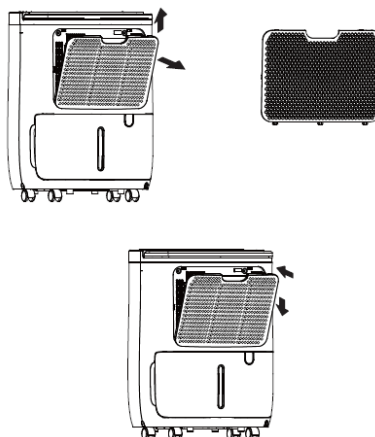
A légszűrő tisztítása

Az elülső rács mögötti légszűrőt legalább kéthetente egyszer (vagy szükség esetén gyakrabban) ellenőrizni és tisztítani kell.

Megjegyzés: A szűrőt ne öblítse ki és ne tisztítsa mosogatógépben.

A szűrő eltávolítása:

- Fogja meg a szűrő fülét, és húzza kifelé, majd felfelé.
- Tisztítsa meg a szűrőt meleg, szappanos vízben. Öblítse le, és visszahelyezés előtt szárítsa meg. Ne tisztítsa a szűrőt mosogatógépben.



A szűrő visszahelyezése:

- Alulról felfelé helyezze vissza a levegőszűrőt.



Figyelem!

Ne működtesse a páramentesítőt a szűrő nélkül, mert a szennyeződések és szöszök eltömíthetik a készüléket, amitől romlani fog a hatékonysága.

Megjegyzés: A készülék burkolatát és elülső részét vízben vagy meleg víz és mosogatószer keverékéből álló oldatban megnedvesített ronggyal tisztíthatja meg. Öblítse ki jól, és törölje meg száraz ronggyal. A készülék elülső részén ne használjon erős tisztító szereket, viaszt vagy csiszoló oldatot. Csavarja ki jól a rongyot a kezelőgombok területének a tisztítása előtt. A vezérlőgombok körüli fölösleges víz a készülék meghibásodásához vezethet.

Ha a készüléket hosszú ideig nem használja:

- A készülék kikapcsolása után, várjon egy napig a víztartály kiürítéséhez.
- Tisztítsa meg a készülék vezérlőegységét, a víztartályt és a levegőszűrőt.
- Takarja le a készüléket egy műanyag tasakkal.
- Tárolja a készüléket függőleges helyzetben, száraz és jól szellőző helyen.

6. A HIBÁK MEGOLDÁSA

Mielőtt még szerelőt hívna, tanulmányozza figyelmesen az alábbi táblázatot.

Probléma	Okok és megoldási javaslatok
A készülék nem kapcsol be	<ul style="list-style-type: none">• Ellenőrizze, hogy a készülék villásdugója teljesen be van-e dugva az aljzatba.• Ellenőrizze a biztosítékot vagy a megszakítót.• A készülék elérte a beállított nedvességi szintet vagy a tartály megtelt.• A víztartály nincs megfelelően a helyére illesztve.
A helyiség páramentesítése nem megfelelő.	<ul style="list-style-type: none">• A nedvesség eltávolításához hagyja hosszabb ideig működni a készüléket.• Ellenőrizze, hogy egy függöny, sötétítő vagy bútordarab nem gátolja-e a készülék légcseréjét.• Lehetséges, hogy a páratartalom-beállítás nem elég alacsony.• Ellenőrizze, hogy be vannak-e csukva az ajtók, ablakok és egyéb nyílások.• A szoba hőmérséklete túl alacsony, 5 °C (41 °F) alatti.• A helyiségben nedvességforrás található.
A készülék működése közben hangos zajt ad.	<ul style="list-style-type: none">• Eltömődött a levegőszűrő.• A készülék meg van döntve, nem áll függőleges helyzetben.• A padló felülete nem vízszintes.
Dér jelenik meg a hőcserélőn.	<ul style="list-style-type: none">• Ez természetes jelenség. A páramentesítő készülék rendelkezik automatikus leolvasztás funkcióval.
Víz folyik ki a padlóra.	<ul style="list-style-type: none">• A cső vagy a cső csatlakoztatása túl laza.
EH60, EH61, EH02, EH03, EH0b vagy P2 hibaüzenetek jelennek meg a kijelzőn.	Ezek hiba- és védelmi kódok. Tanulmányozza „A KEZELŐTÁBLA TULAJDONSÁGAI” című fejezetet.



A hulladékok környezetfelelős eltávolítása

Segíthet a környezet védelmében!

Kérjük, tartsa be a helyi rendelkezéseket: a nem működő elektromos berendezéseket a használt elektromos hulladékokat gyűjtő központba szolgáltatassa be.



FRAM a Network One Distribution SRL(KFT) társaság által bejegyzett védjegy. A többi márkajelzés és a termékek megnevezése kereskedelmi vagy az illető birtoklók által bejegyzett márkanevek.

A műszaki leírások egyik része sem reprodukálható semmilyen formában és semmilyen módon, és nem használható fel fordításra, átváltoztatásra vagy alkalmazásra a NETWORK ONE DISTRIBUTION társaság előzetes beleegyezése nélkül.

Copyright © 2013 Network One Distribution. Minden jog fenntartva.

<http://www.nod.ro>, www.framelectrocasnice.ro, www.framappliances.com



A terméket az Európai Közösség előírásainak és jogszabályainak megfelelően tervezték és gyártották.



Importőr: Network One Distribution
Marcel Iancu utca, 3-5 szám, Bukarest (București), Románia
Tel: +40 21 211 18 56, www.nod.ro